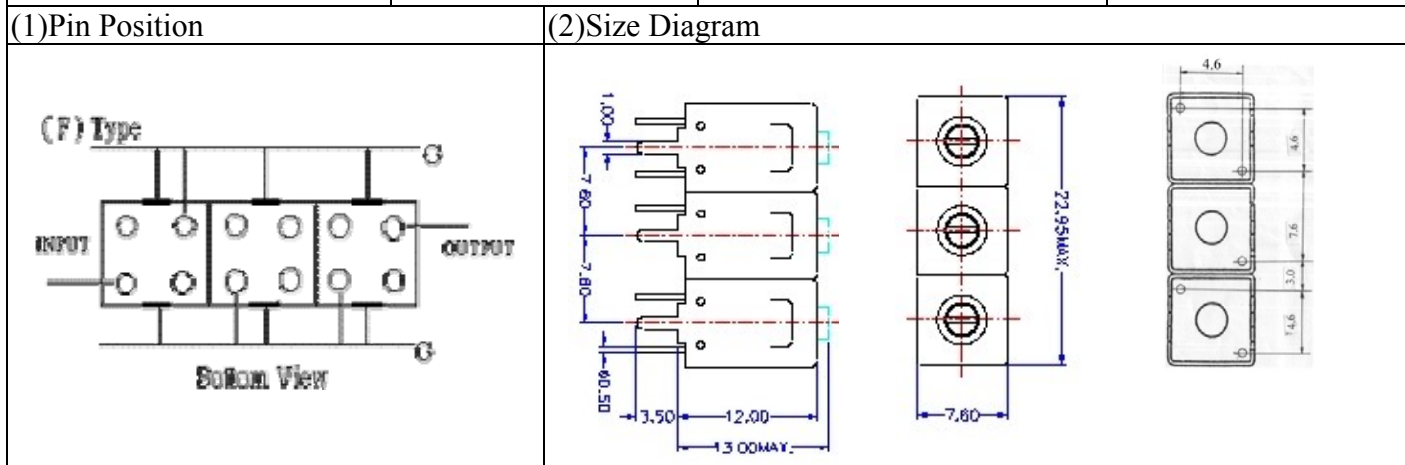


VHF UHF Helical Filter Specification Sheet

Customer Name		Temwell's Part No.	TTL6314F-477.25M
Approval No. /dated	0611039APR	Acceptable Specify Fo Range	456~515 MHz
Work Instruction No.	0611039DC	Date	Nov.23.2006



(3) Electric Chararistic

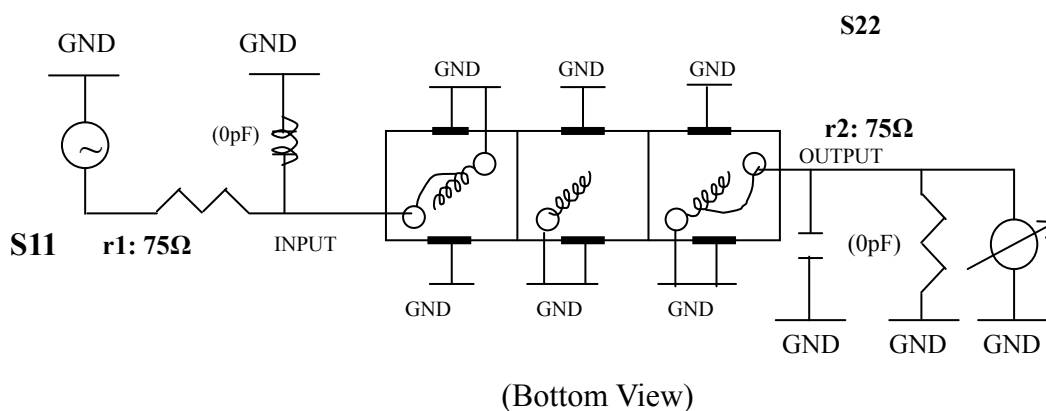
Item	Specify	Performance	
Center Freq.(Fo) +/- 0.5 %	477.25 MHz	477.25 MHz	
Tunable Range	477.25±5 MHz	477.25±5 MHz	
Insertion Loss	Typ. 5.5 dB	4.38 dB	
-3 dB Bandwidth	Typ. 6 MHz	8.5 MHz	
Sensitivity (Attenuation)	Fo - 15 MHz	Typ. 27 dB	30 dB
	Fo + 15 MHz	Typ. 28 dB	31 dB
	Fo - ()MHz	Typ. dB	dB
	Fo +()MHz	Typ. dB	dB
Return Loss	Min. 12 dB	20.9 dB	
Ripple	< 1 dB	dB	
Impedance	In / Out : 75 Ω	In / Out : 75 Ω	
(4) Torque for Tuning Screw	> 100gf • cm		

(5) Temperature Condition:

Operating Temperature	0°C ~ +60°C
Storage Temperature	-20°C ~ +70°C

(6) Input Power

(7) Measuring Circuit: ※Easy to match Impedance S11/S22 75Ω by parallel with about(0pF) /(0pF).



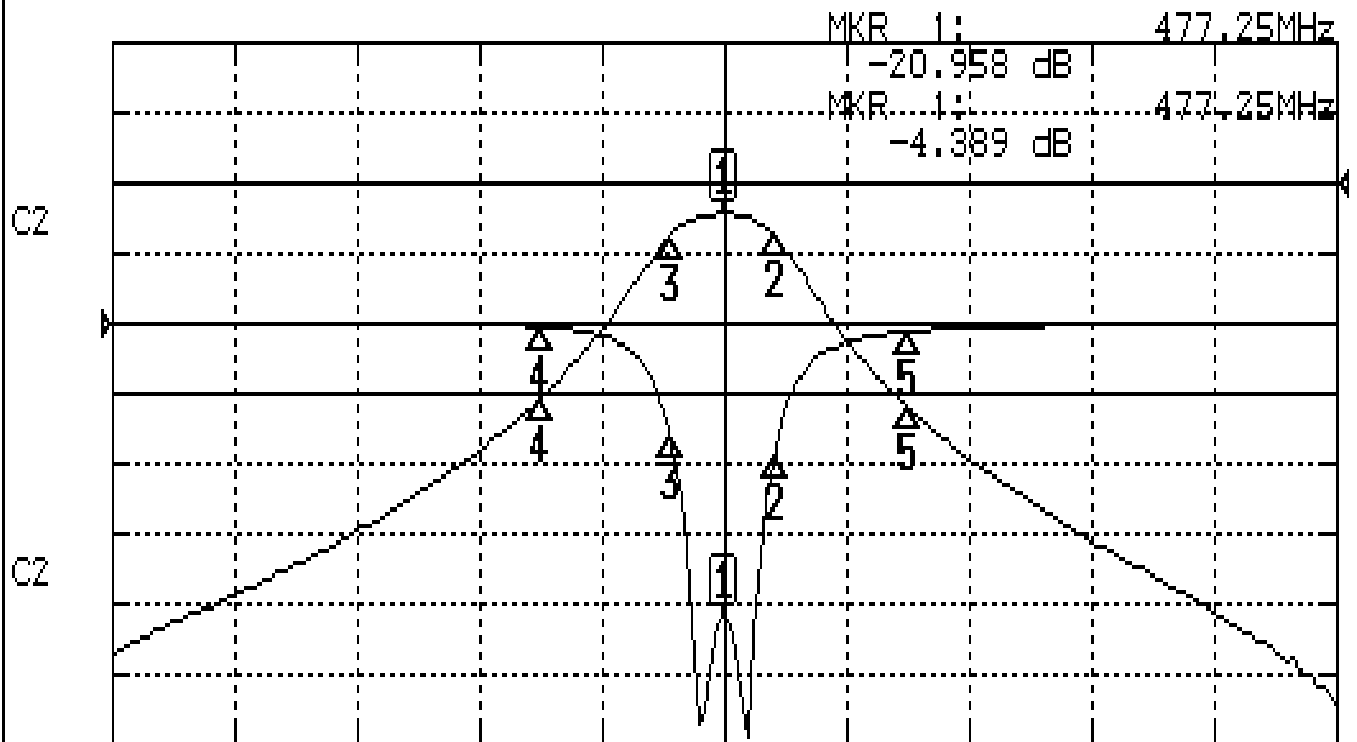
Approval	Supervisor	Designer	Aperture size
C.Y.Chang	C.S.Chang	W.W.Wang	7H3(4*4.65)F 7H046RB4

TEMWELL CORPORATION

Performance-TTL6314F-477.25M

0611039DC

CH1 S11 LOG MAG REF 0.000 dB 5.000 dB/
CH2 S21 LOG MAG REF 0.000 dB 10.000 dB/



CENTER 477.25MHz

[10.00 dBm]

SPAN 100MHz

CH1 MARKER LIST

1:	477.250MHz	-20.958 dB
2:	481.416MHz	-9.267 dB
3:	472.916MHz	-8.155 dB
4:	462.250MHz	-0.214 dB
5:	492.250MHz	-0.549 dB

CH2 MARKER LIST

1:	477.250MHz	-4.389 dB
2:	481.416MHz	-7.429 dB
3:	472.916MHz	-7.345 dB
4:	462.250MHz	-30.684 dB
5:	492.250MHz	-31.960 dB