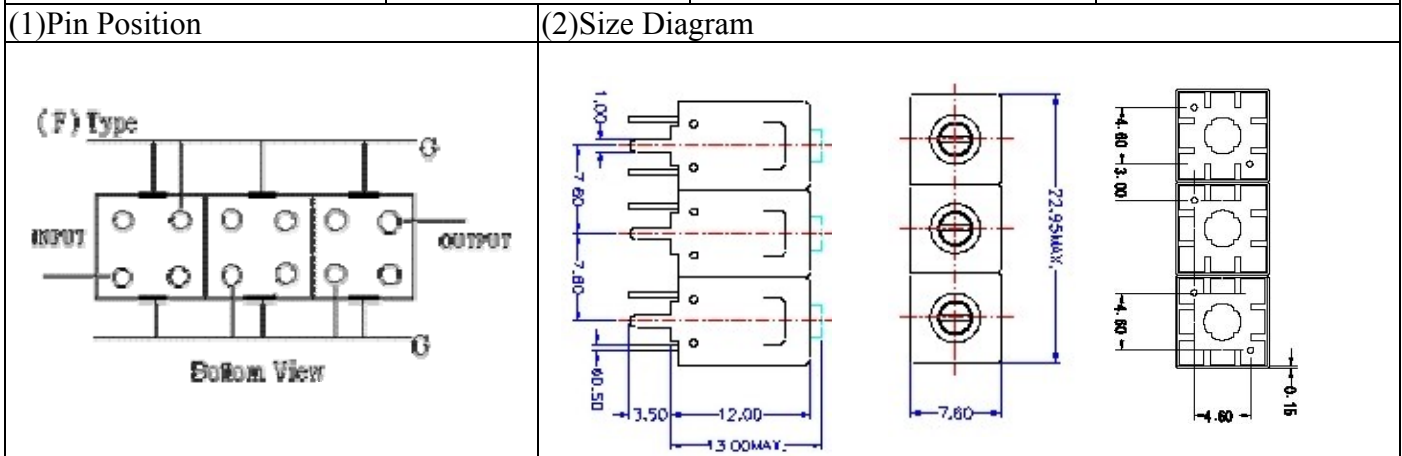


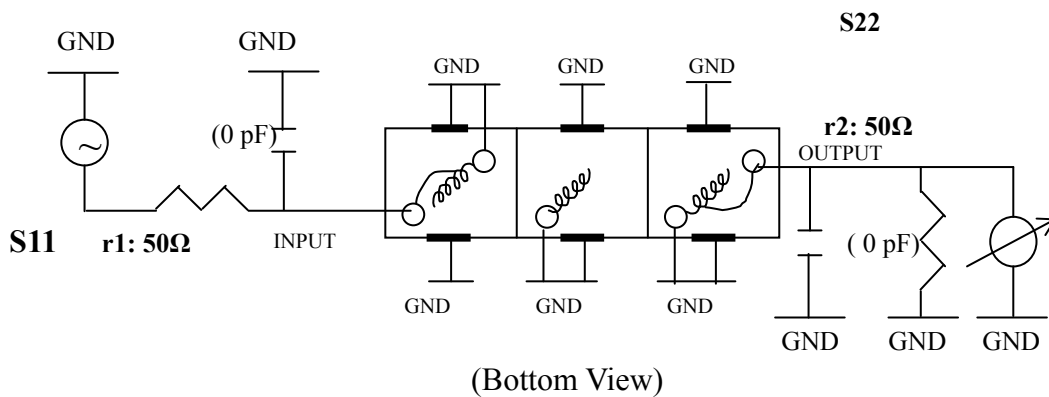
VHF UHF Helical Filter Specification Sheet

Customer Name		Temwell's Part No.	TTL63149F-411M
Approval No. /dated	0701070APR	Acceptable Specify Fo Range.	401~455MHz
Work Instruction No.	0701070DC	Date	Jan.31.2007



(3) Electric Characteristic			
Item		Specify	Performance
Center Freq.(Fo) +/- 0.5 %		411 MHz	411 MHz
Tunable Range:		411±5 MHz	411±5 MHz
Insertion Loss		Typ. 4.0 dB	3.41 dB
-3 dB Bandwidth		Typ. 7 MHz	9.3 MHz
Sensitivity (Attenuation)	Fo - 15 MHz	Typ. 34 dB	37 dB
	Fo + 15 MHz	Typ. 24 dB	27 dB
	Fo - ()MHz	Typ. dB	dB
	Fo +()MHz	Typ. dB	dB
Return Loss		Min. 12 dB	22.3 dB
Ripple		< 1 dB	dB
Impedance		In / Out : 75 Ω	In / Out : 75 Ω
(4) Torque for Tuning Screw		> 100gf • cm	
(5) Temperature Condition:			
Operating Temperature		0°C ~ +60°C	
Storage Temperature		20°C ~ +70°C	
(6) Input Power		> 1Watt	

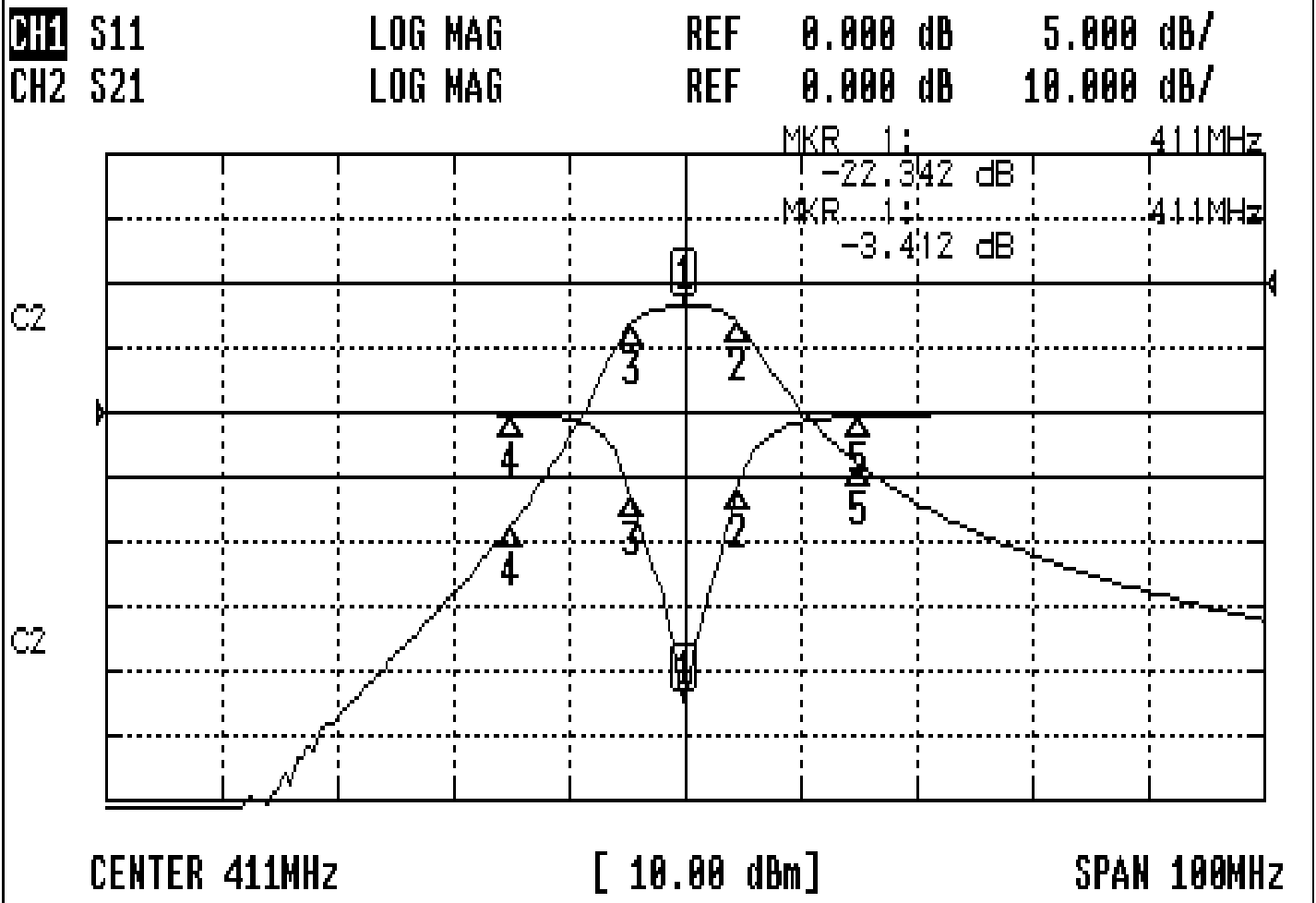
(7) Measuring Circuit: ※Easy to match Impedance S11/S22 75Ω by parallel with about(0 pF) / (0 pF).



Approval	Supervisor	Designer	Aperture size
C.Y.Chang	C.S.Chang	P.H.Chiang	7H3S(4*5.5)F 7H046LB4 聚 3
TEMWELL CORPORATION			

Performance-TTL63149F-411M

0701070DC



CH1 MARKER LIST

1:	411.000MHz	-22.342	dB
2:	415.666MHz	-5.791	dB
3:	406.333MHz	-6.385	dB
4:	396.000MHz	-0.177	dB
5:	426.000MHz	-0.308	dB
10:			

CH2 MARKER LIST

1:	411.000MHz	-3.410	dB
2:	415.666MHz	-6.410	dB
3:	406.333MHz	-6.441	dB
4:	396.000MHz	-37.446	dB
5:	426.000MHz	-27.972	dB
10:			