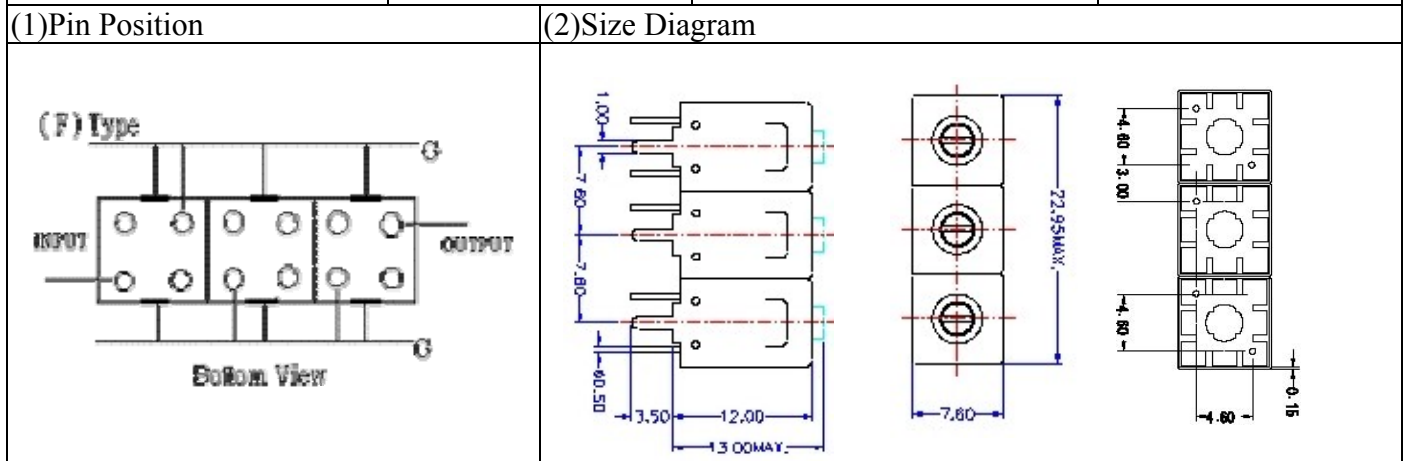


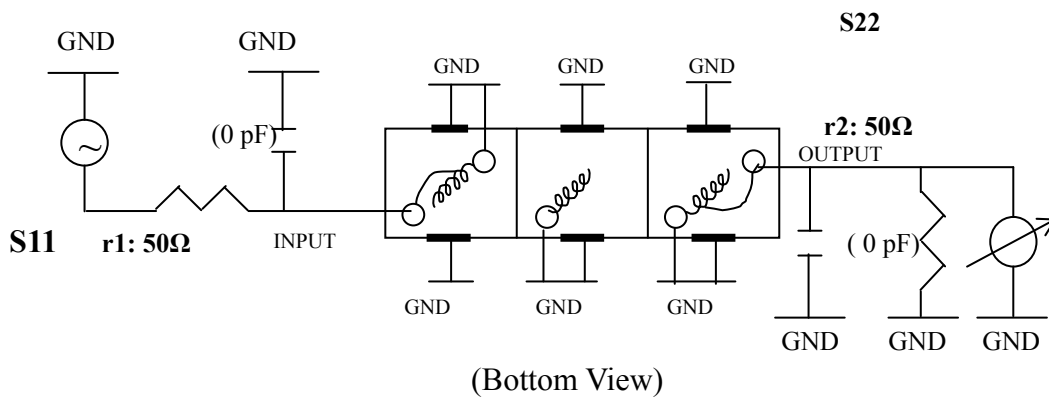
VHF UHF Helical Filter Specification Sheet

Customer Name		Temwell's Part No.	TTL63148F-403M
Approval No. /dated	0701069APR	Acceptable Specify Fo Range.	401~455MHz
Work Instruction No.	0701069DC	Date	Jan.05.2007



(3) Electric Character		Item	Specify	Performance
Center Freq.(Fo) +/- 0.5 %			403 MHz	403 MHz
Tunable Range:			403±5 MHz	403±5 MHz
Insertion Loss		Typ.	4.0 dB	3.28 dB
-3 dB Bandwidth		Typ.	7 MHz	9.2 MHz
Sensitivity (Attenuation)	Fo - 15 MHz	Typ.	35 dB	38 dB
	Fo + 15 MHz	Typ.	24 dB	27 dB
	Fo - ()MHz	Typ.	dB	dB
	Fo + ()MHz	Typ.	dB	dB
Return Loss		Min.	12 dB	27.7 dB
Ripple			< 1 dB	dB
Impedance			In / Out : 75 Ω	In / Out : 75 Ω
(4) Torque for Tuning Screw			> 100gf · cm	
(5) Temperature Condition:				
Operating Temperature			0°C ~ +60°C	
Storage Temperature			-20°C ~ +70°C	
(6) Input Power			> 1Watt	

(7) Measuring Circuit: ※Easy to match Impedance S11/S22 75Ω by parallel with about(0 pF) / (0 pF).



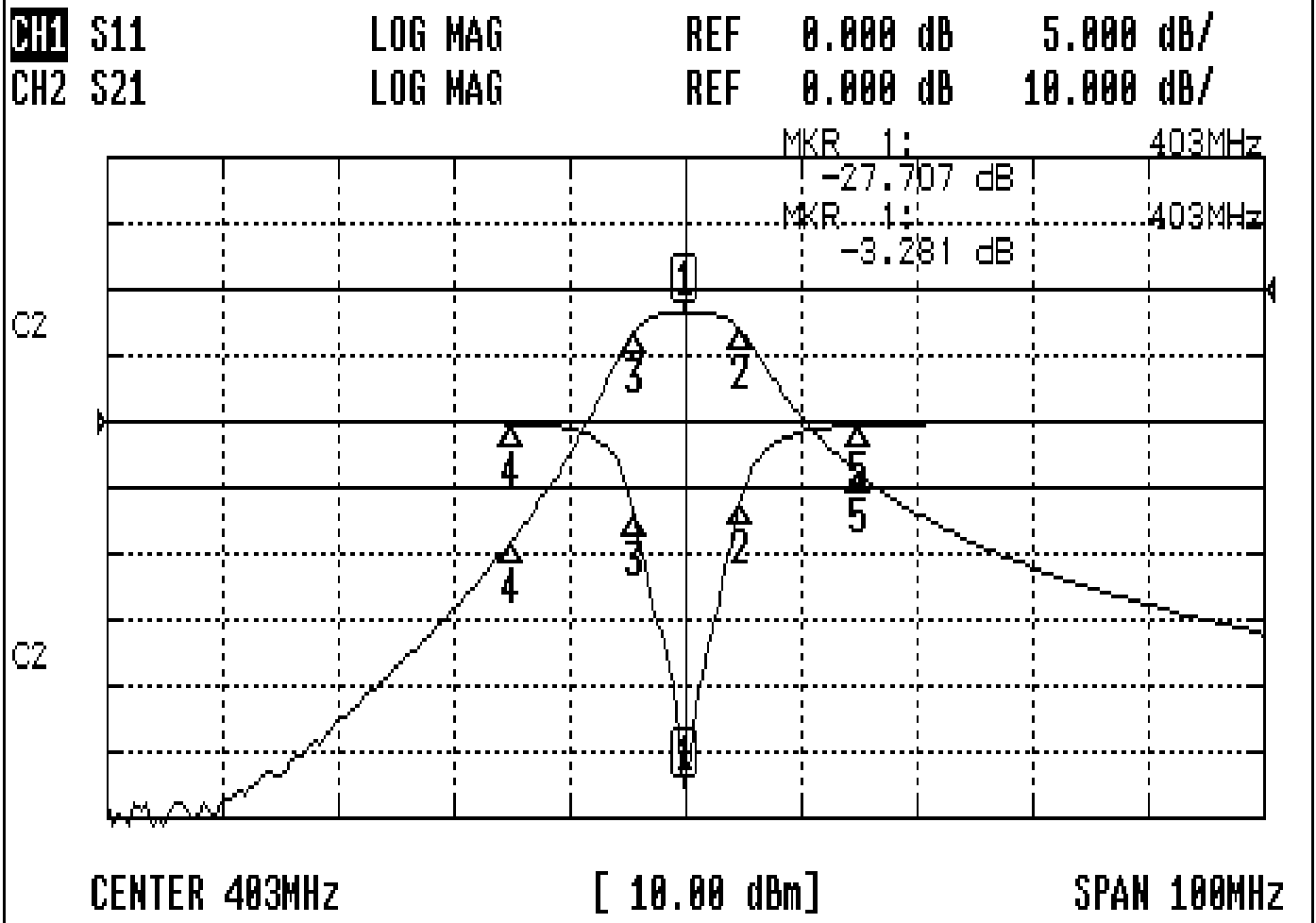
Approval	Supervisor	Designer	Aperture size
C.Y.Chang	C.S.Chang	P.H.Chiang	7H3S(4*5.5)F 7H046LB4 聚 3
TEMWELL		CORPORATION	

TEMWELL

RP(P.H)

Performance-TTL63148F-403M

0701069DC



CH1 MARKER LIST

Marker	Frequency (MHz)	Magnitude (dB)
1	403.000	-27.707
2	407.833	-6.073
3	398.666	-7.260
4	388.000	-0.177
5	418.000	-0.314

CH2 MARKER LIST

Marker	Frequency (MHz)	Magnitude (dB)
1	403.000	-3.281
2	407.833	-6.343
3	398.666	-10.310
4	388.000	-38.021
5	418.000	-27.787