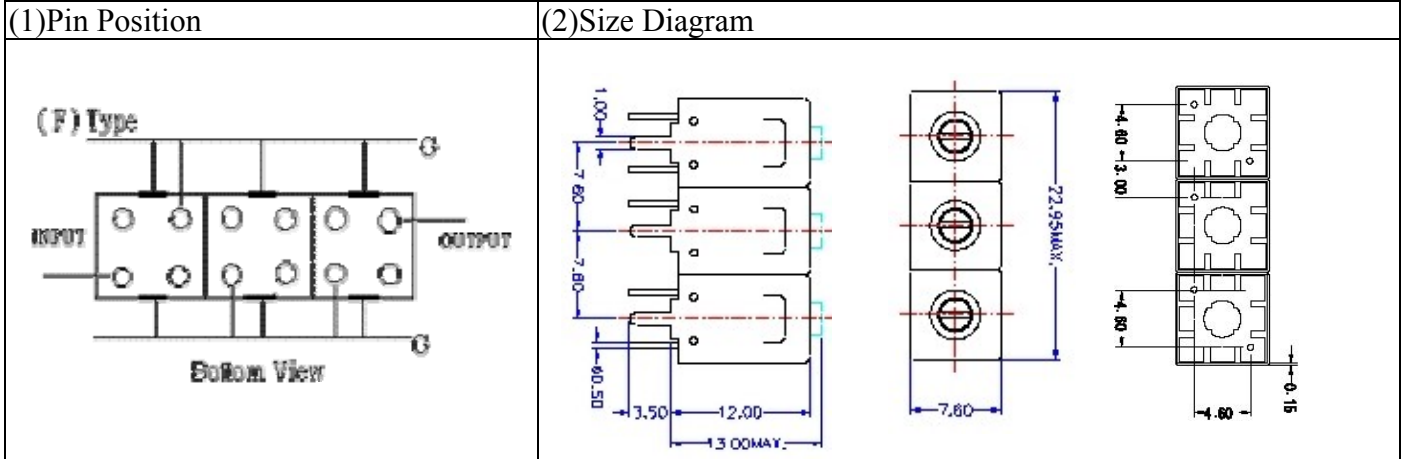


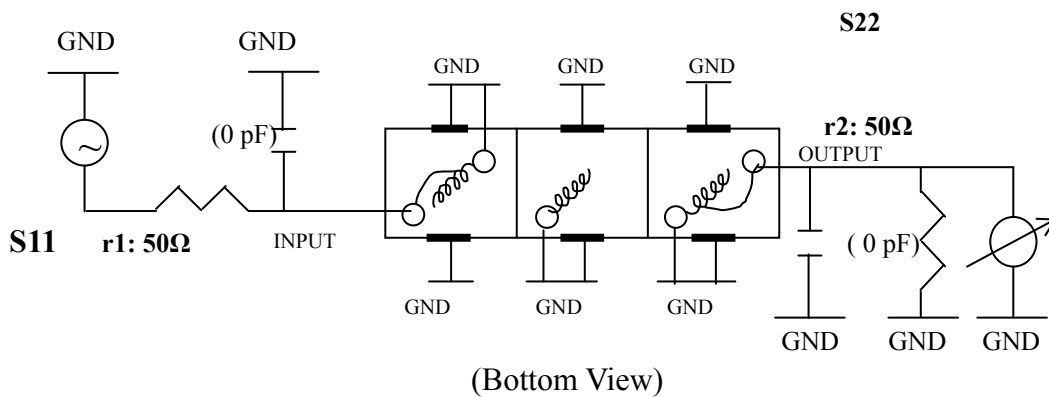
# VHF UHF Helical Filter Specification Sheet

Customer Name		Temwell's Part No.	TTL63140F-339M
Approval No. /dated	0701061APR	Acceptable Specify Fo Range.	311~355MHZ
Work Instruction No.	0701061DC	Date	Jan.29.2007



(3) Electric Chararistic		Item	Specify	Performance
Center Freq.(Fo) +/- 0.5 %			339 MHz	339 MHz
Tunable Range:			339±4 MHz	339±4 MHz
Insertion Loss		Typ.	4.5 dB	3.80 dB
-3 dB Bandwidth		Typ.	7 MHz	9.3 MHz
Sensitivity (Attenuation)	Fo - 15 MHz	Typ.	33 dB	36 dB
	Fo + 15 MHz	Typ.	25 dB	28 dB
	Fo - ( )MHz	Typ.	dB	dB
	Fo +( )MHz	Typ.	dB	dB
Return Loss		Min.	12 dB	39.5 dB
Ripple			< 1 dB	dB
Impedance			In / Out : 75 Ω	In / Out : 75 Ω
(4) Torque for Tuning Screw			> 100gf · cm	
(5) Temperature Condition:				
Operating Temperature			0°C ~ +60°C	
Storage Temperature			20°C ~ +70°C	
(6) Input Power			> 1Watt	

(7) Measuring Circuit: ※Easy to match Impedance S11/S22 75Ω by parallel with about( 0 pF) / ( 0 pF).



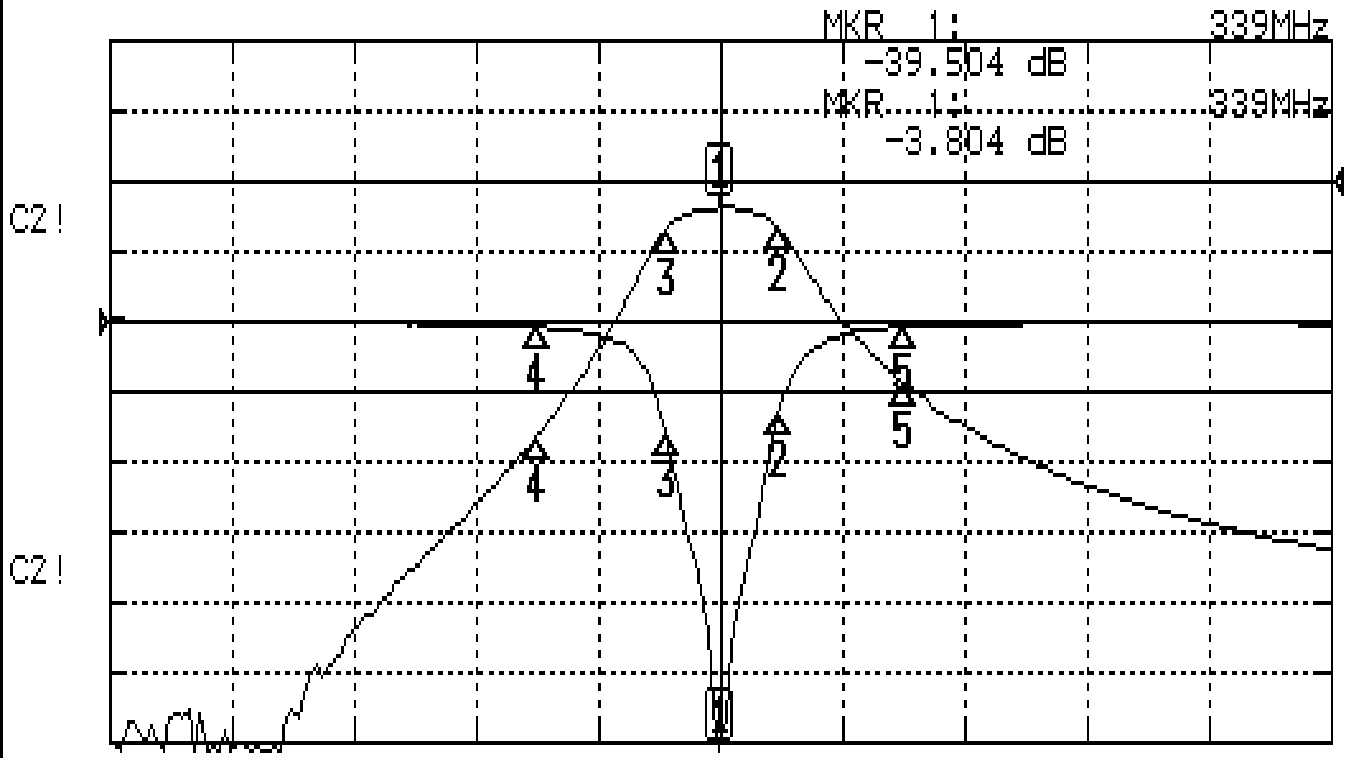
Approval	Supervisor	Designer	Aperture size
C.Y.Chang	C.S.Chang	P.H.Chiang	7H3S(4*5.5)F 7H046LB4 聚 3

TEMWELL CORPORATION

# Performance-TTL63140F-339M

## 0701061DC

**CH1** S11                    LOG MAG                    REF 0.000 dB            5.000 dB/  
**CH2** S21                    LOG MAG                    REF 0.000 dB            10.000 dB/



CENTER 339MHz

[ 10.00 dBm ]

SPAN 100MHz

### CH1 MARKER LIST

1:	339.0000MHz	-39.504	dB
2:	343.8333MHz	-6.574	dB
3:	334.5000MHz	-7.847	dB
4:	324.0000MHz	-0.410	dB
5:	354.0000MHz	-0.357	dB

### CH2 MARKER LIST

1:	339.0000MHz	-3.804	dB
2:	343.8333MHz	-6.986	dB
3:	334.5000MHz	-6.873	dB
4:	324.0000MHz	-36.413	dB
5:	354.0000MHz	-28.715	dB