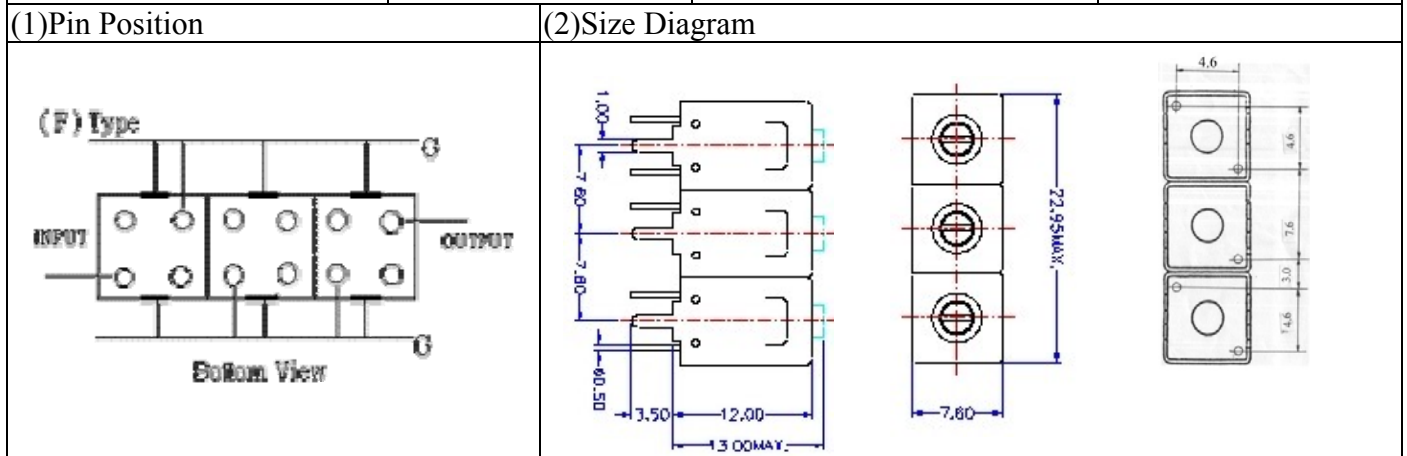
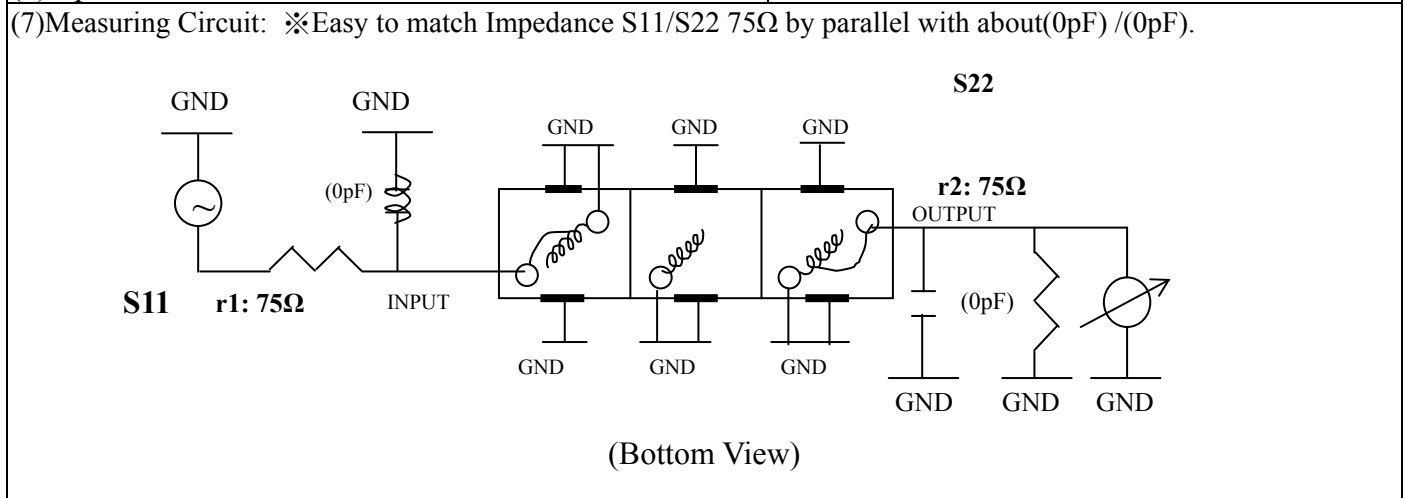


# VHF UHF Helical Filter Specification Sheet

Customer Name		Temwell's Part No.	TTL6313F-471.25M
Approval No. /dated	0611038APR	Acceptable Specify Fo Range	456~515 MHz
Work Instruction No.	0611038DC	Date	Nov.22.2006



(3) Electric Characteristic			
Item		Specify	Performance
Center Freq.(Fo) +/- 0.5 %		471.25 MHz	471.25 MHz
Tunable Range		471.25±5 MHz	471.25±5 MHz
Insertion Loss		Typ. 5.0 dB	4.07 dB
-3 dB Bandwidth		Typ. 7 MHz	8.9 MHz
Sensitivity (Attenuation)	Fo - 15 MHz	Typ. 25 dB	28 dB
	Fo + 15 MHz	Typ. 28 dB	31 dB
	Fo - ( )MHz	Typ. dB	dB
	Fo +( )MHz	Typ. dB	dB
Return Loss		Min. 12 dB	26.8 dB
Ripple		< 1 dB	dB
Impedance		In / Out : 75 Ω	In / Out : 75 Ω
(4) Torque for Tuning Screw		> 100gf • cm	
(5) Temperature Condition:			
Operating Temperature		-0°C ~ +60°C	
Storage Temperature		-20°C ~ +70°C	
(6) Input Power		> 1Watt	



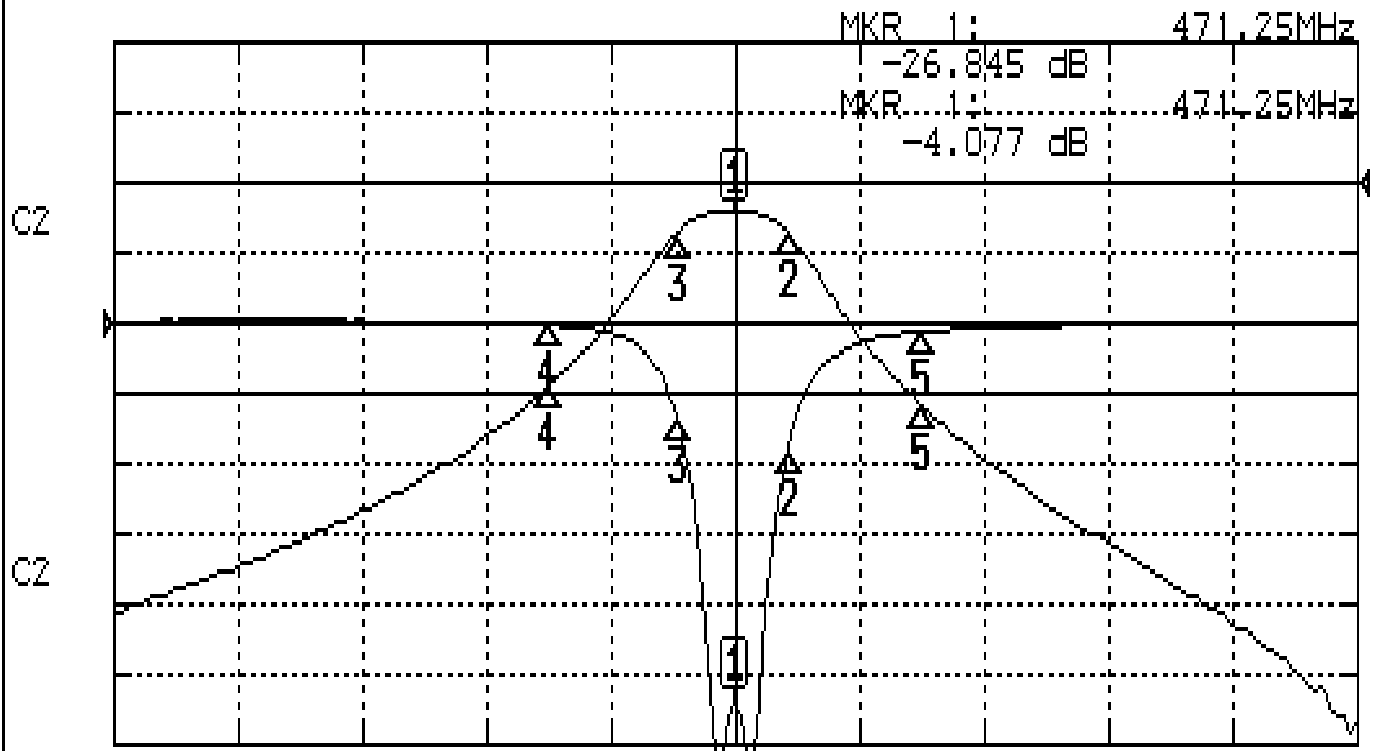
Approval	Supervisor	Designer	Aperture size
C.Y.Chang	C.S.Chang	W.W.Wang	7H3(4*4.65)F 7H046RB4

TEMWELL CORPORATION

# Performance-TTL6313F-471.25M

## 0611038DC

**CH1** S11                      LOG MAG                      REF 0.000 dB                      5.000 dB/  
**CH2** S21                      LOG MAG                      REF 0.000 dB                      10.000 dB/



CENTER 471.25MHz

[ 10.00 dBm ]

SPAN 100MHz

**CH1 MARKER LIST**

1:	471.250MHz	-26.845	dB
2:	475.500MHz	-8.968	dB
3:	466.666MHz	-6.945	dB
4:	456.250MHz	-0.092	dB
5:	486.250MHz	-0.588	dB
6:			
7:			
8:			
9:			
10:			

**CH2 MARKER LIST**

1:	471.250MHz	-4.077	dB
2:	475.500MHz	-7.159	dB
3:	466.666MHz	-7.084	dB
4:	456.250MHz	-28.975	dB
5:	486.250MHz	-31.641	dB
6:			
7:			
8:			
9:			
10:			