



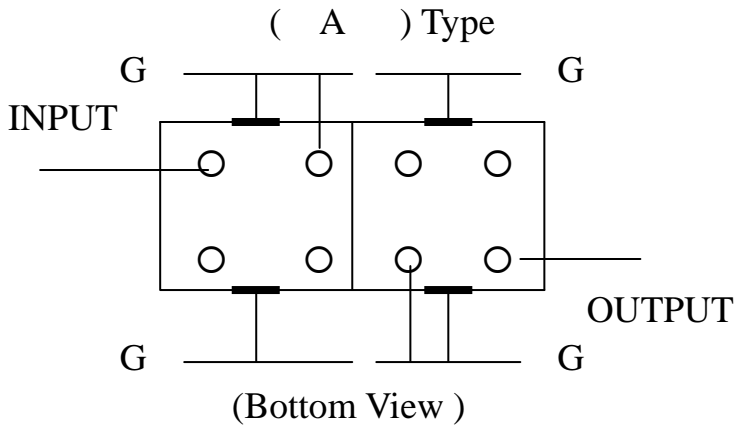
Custom Made UHF Filter & Duplexer

Helical Filter Specification Sheet

Issued Dated :

Customer Name		Temwell's Part No.	TD6868A-730M
Approval No. /dated	2008001B	Customer's Part No.	
Work Instruction No.	2008001B	Date	Aug.02.2000
<input type="checkbox"/> Buyer Print name		<input type="checkbox"/> Temwell,s print name	
Case Name	7H2	Case size :	
Terminator Type	A		

* Pin Position (Pin Connection) diagram as following



(3) Electric Charasteric

Item	Specify	Performance
Center Freq.(Fo) +/- 0.5 %	730 MHz	730 MHz
Insertion Loss	Typ. 5.5 dB	4.61 dB
-3 dB Bandwidth	Typ. 5 MHz	9.9 MHz
Sensitivity (Attenuation)	Fo - 30 MHz	Typ. 25 dBc
	Fo + 30 MHz	Typ. 21 dBc
	Fo - ()MHz	Typ. dBc
	Fo +()MHz	Typ. dBc
Return Loss	Min. 12 dB	16.0 dB
Ripple	< 1 dB	dB
Impedance	In / Out : 50 Ω	In / Out : 50 Ω

4. Temperature Condition:

Operating Temperature	0 °C ~ +60 °C
Storage Temperature	-20 °C ~ +70 °C

Approval	Supervisor	Designer	Aperture size
C.Y.Chang	C.S.Chang	C.S.Chang	7H2S(4*4.65)F 7H046LB4 聚 3

TEMWELL CORPORATION

TEMWELL

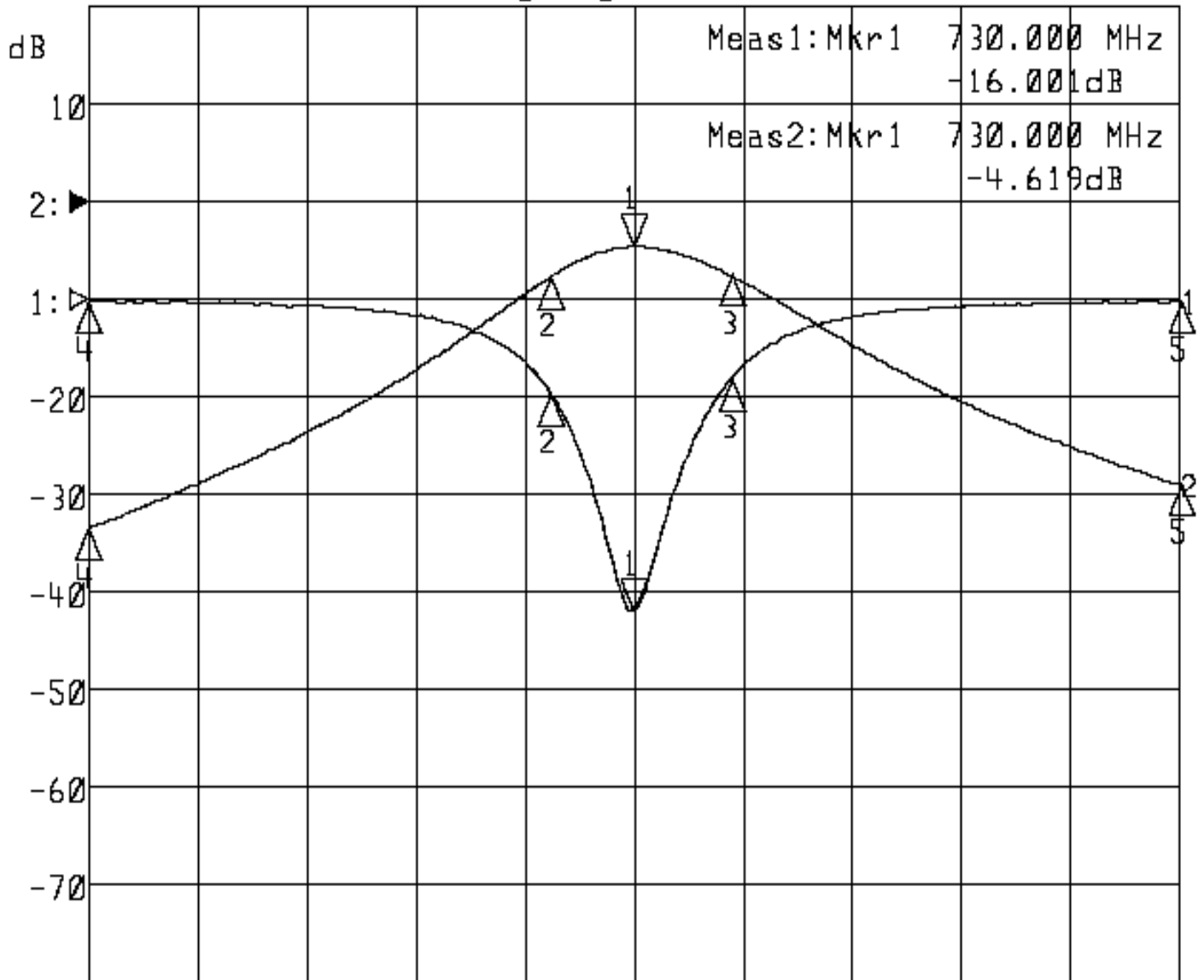
Form - 7H2A Vision C

Performance-TD6868A-730M

2008001B

▶1: S11 Refl Port1 Log Mag 5.0 dB/ Ref 0.00 dB C

▶2: S21 Fwd Trans Log Mag 10.0 dB/ Ref 0.00 dB C



Center 730.000 MHz

Span 60.000 MHz

1: Mkr (MHz)	dB	2: Mkr (MHz)	dB
1> 730.0000	-16.001	1> 730.0000	-4.619
2: 725.4200	-4.822	2: 725.4200	-7.694
3: 735.3600	-4.072	3: 735.3600	-7.589
4: 700.0000	-0.160	4: 700.0000	-33.479
5: 760.0000	-0.070	5: 760.0000	-28.956