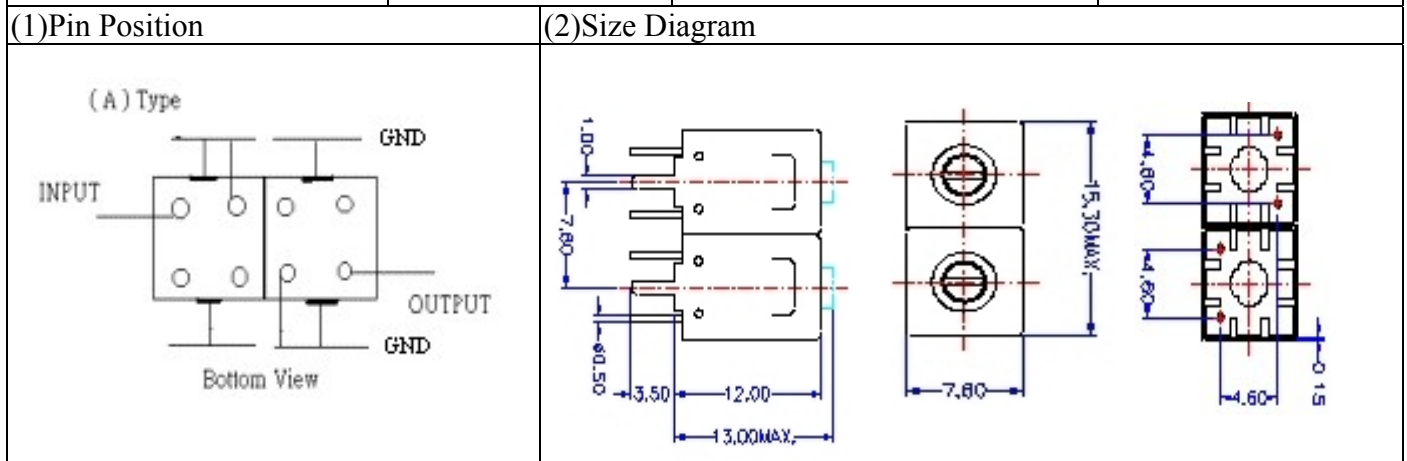


VHF UHF Helical Filter Specification Sheet

Customer Name		Temwell's Part No.	TD6867A-780M
Approval No. /dated	20506046APR	Acceptable Specify Fo. Range	751~800MHz
Work Instruction No.	20506046B	Date	Jul.01.2005

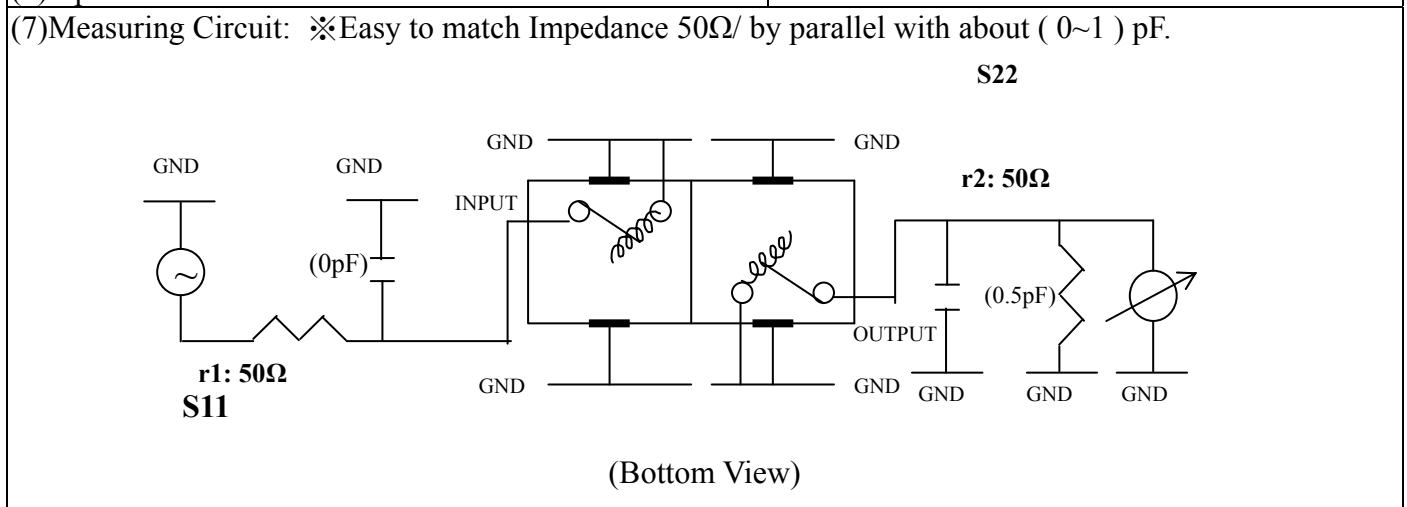


(3) Electric Chararistic

Item	Specify	Performance	
Center Freq.(Fo) +/- 0.5 %	780 MHz	780 MHz	
Tunable Range	780±5 MHz	780±5 MHz	
Insertion Loss	Typ. 3.5 dB	2.77 dB	
-3 dB Bandwidth	Typ. 10 MHz	16.2 MHz	
Sensitivity (Attenuation)	Fo - 50 MHz	Typ. 27 dBc	31 dBc
	Fo + 50 MHz	Typ. 24 dBc	28 dBc
	Fo - ()MHz	Typ. dBc	dBc
	Fo +()MHz	Typ. dBc	dBc
Return Loss	Min. 12 dB	35.1 dB	
Ripple	< 1 dB	dB	
Impedance	In / Out : 50 Ω	In / Out : 50 Ω	
(4) Torque for Tuning Screw	> 100gf • cm		

(5) Temperature Condition:

Operating Temperature	0°C ~ +60°C
Storage Temperature	-20°C ~ +70°C
(6) Input Power	> 1 Watt

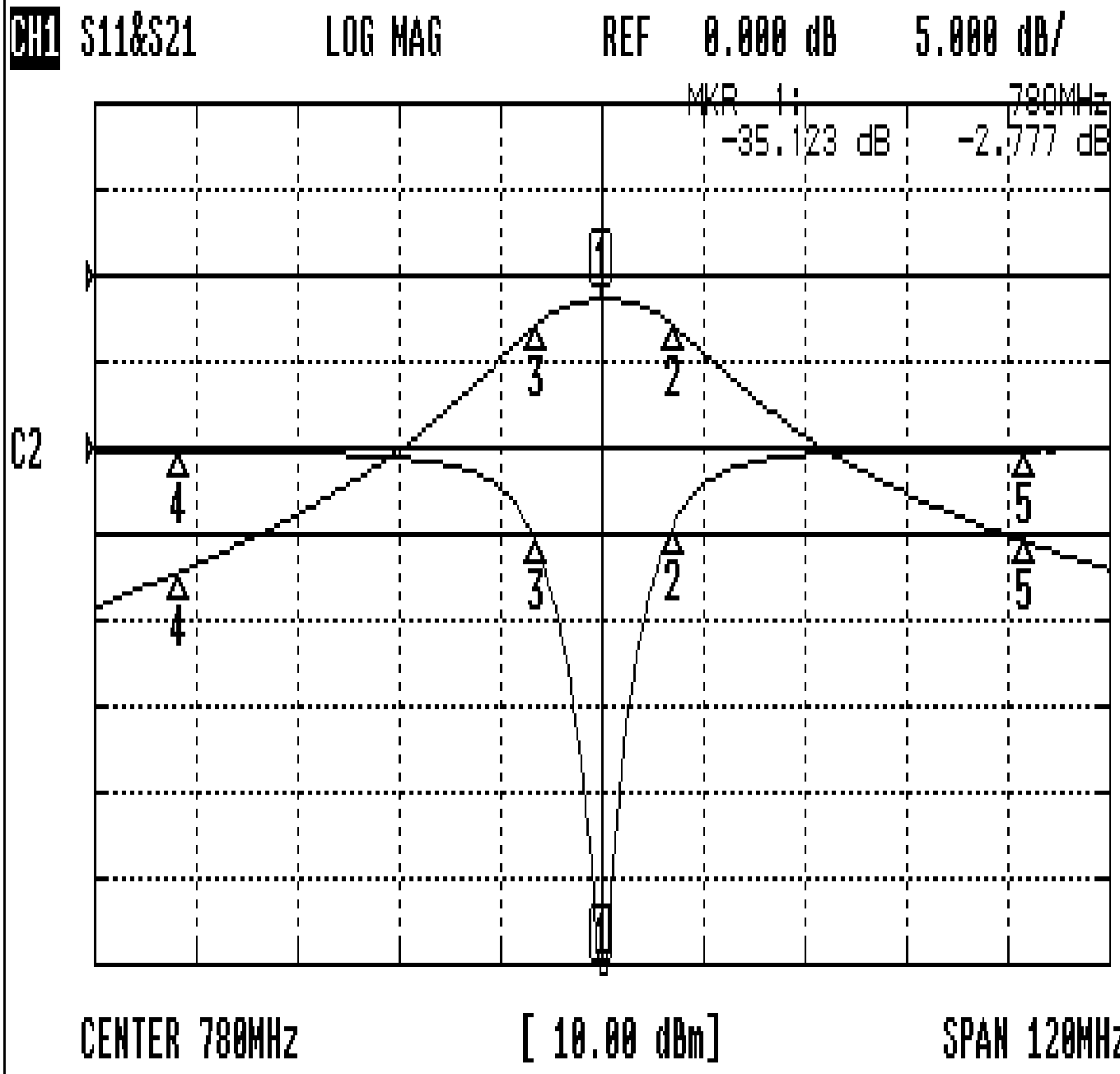


Approval	Supervisor	Designer	Aperture size
C.Y.Chang	C.S.Chang	P.H.Chiang	7H2(4*4.65)(4.69) 7H046LB4 聚 3

TEMWELL CORPORATION

Performance-TD6867A-780M

20506046B



CH1 MARKER LIST

1:	780.000MHz	-35.123 dB	-2.777 dB
2:	788.400MHz	-4.624 dB	-5.719 dB
3:	772.200MHz	-5.376 dB	-5.711 dB
4:	730.000MHz	-0.207 dB	-34.345 dB
5:	830.000MHz	-0.132 dB	-30.832 dB