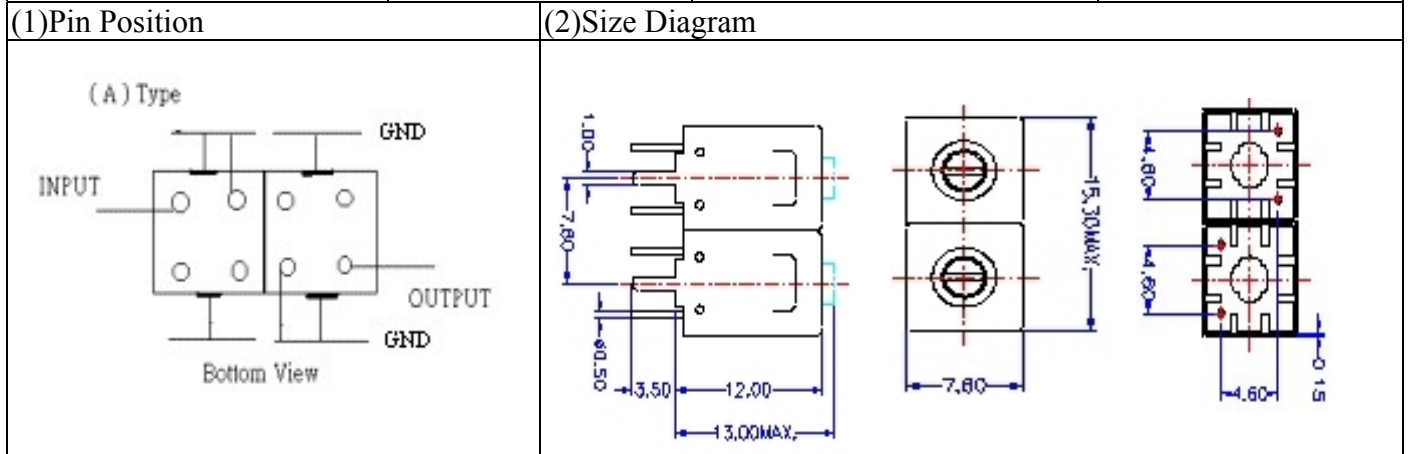
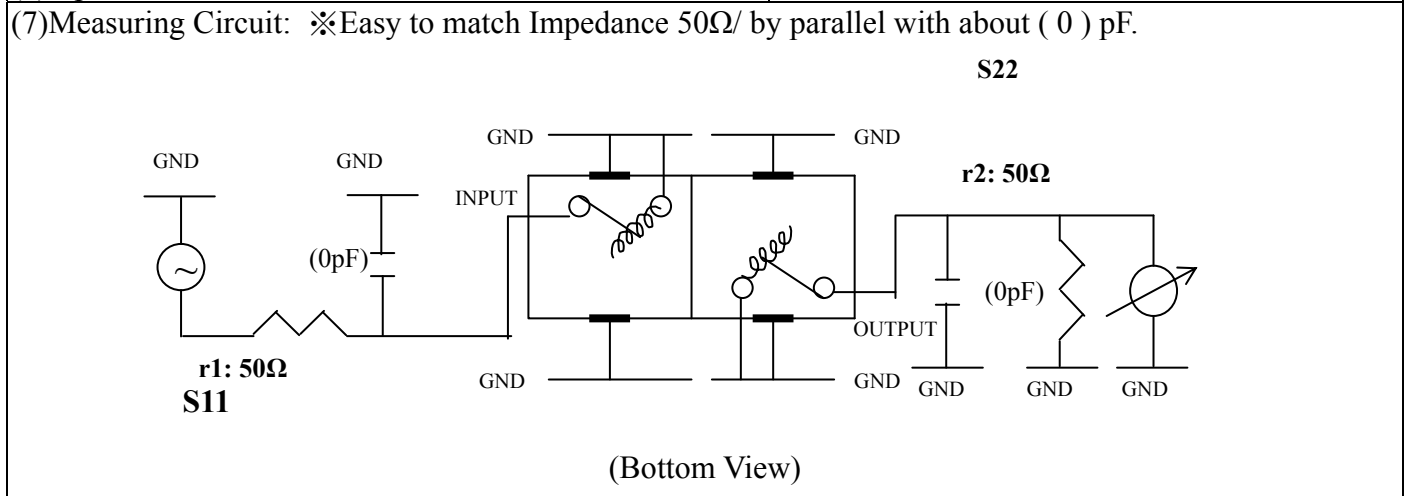


# VHF UHF Helical Filter Specification Sheet

Customer Name		Temwell's Part No.	TD6863A-640M
Approval No. /dated	20506044APR	Temwell's Print Name	6863A 640M
Work Instruction No.	20506044B	Date	Jun.01.2005



Item		Specify	Performance
Center Freq.(Fo ) +/- 0.5 %		640 MHz	640 MHz
Tunable Range		640±5 MHz	640±5 MHz
Insertion Loss		Typ. 3.0 dB	2.11 dB
-3 dB Bandwidth		Typ. 10 MHz	14.5 MHz
Sensitivity (Attenuation)	Fo - 50 MHz	Typ. 32 dBc	35 dBc
	Fo + 50 MHz	Typ. 27 dBc	30 dBc
	Fo - ( )MHz	Typ. dBc	dBc
	Fo +( )MHz	Typ. dBc	dBc
Return Loss		Min. 12 dB	38.9 dB
Ripple		< 1 dB	dB
Impedance		In / Out : 50 Ω	In / Out : 50 Ω
(4) Torque for Tuning Screw		> 100gf · cm	
(5) Temperature Condition:			
Operating Temperature		0°C ~ +60°C	
Storage Temperature		-20°C ~ +70°C	
(6) Input Power		> 1Watt	

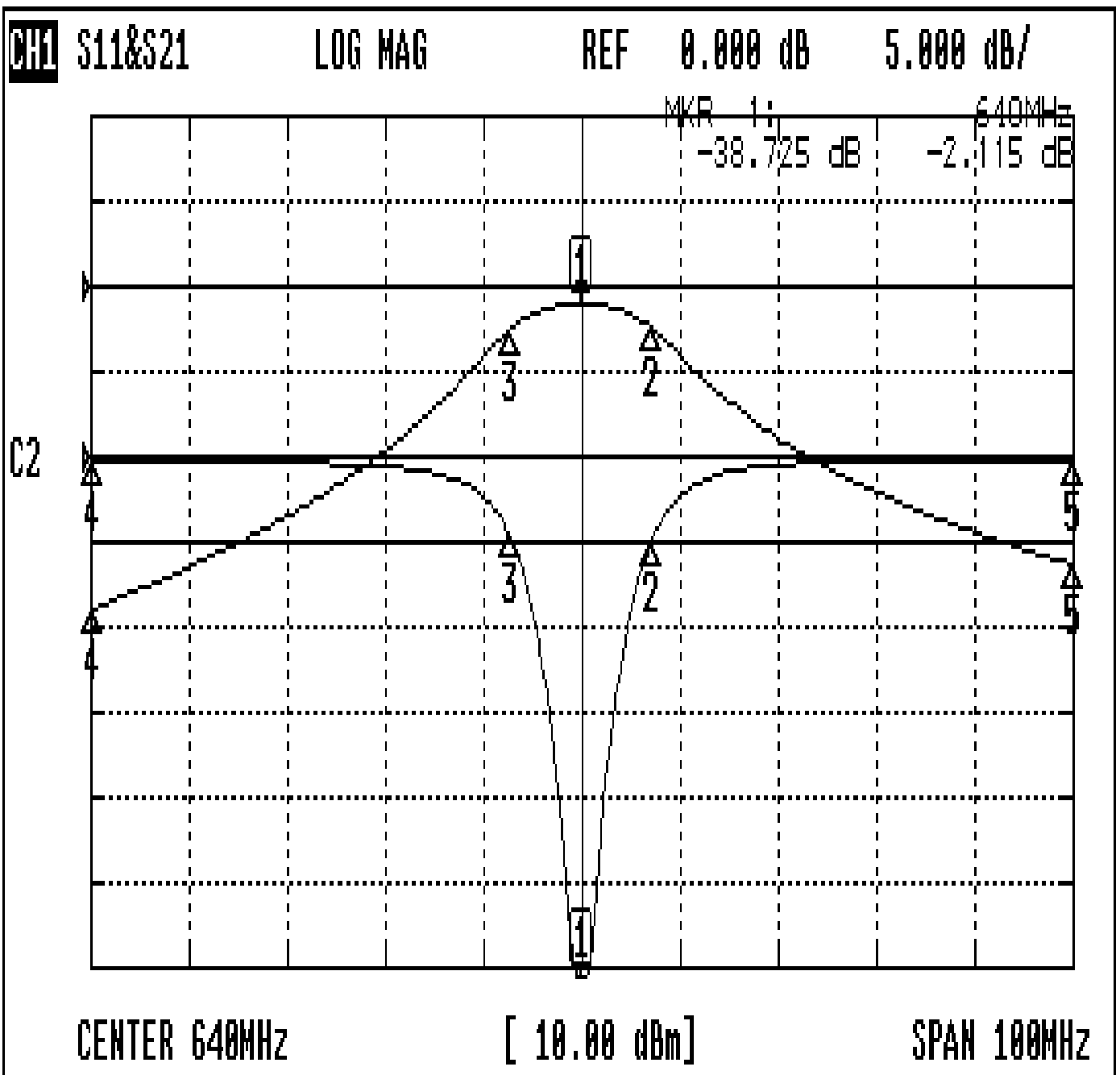


Approval	Supervisor	Designer	Aperture size
C.Y.Chang	C.S.Chang	P.H.Chiang	7H2(4*4.65)(4.69) 7H046LB4 聚 3

TEMWELL CORPORATION

# Performance-TD6863A-640M

## 20506044B



### CH1 MARKER LIST

1:	640.000MHz	-38.909 dB	-2.119 dB
2:	647.166MHz	-4.920 dB	-5.070 dB
3:	632.666MHz	-4.561 dB	-5.151 dB
4:	590.000MHz	-0.226 dB	-37.915 dB
5:	690.000MHz	-0.192 dB	-32.593 dB