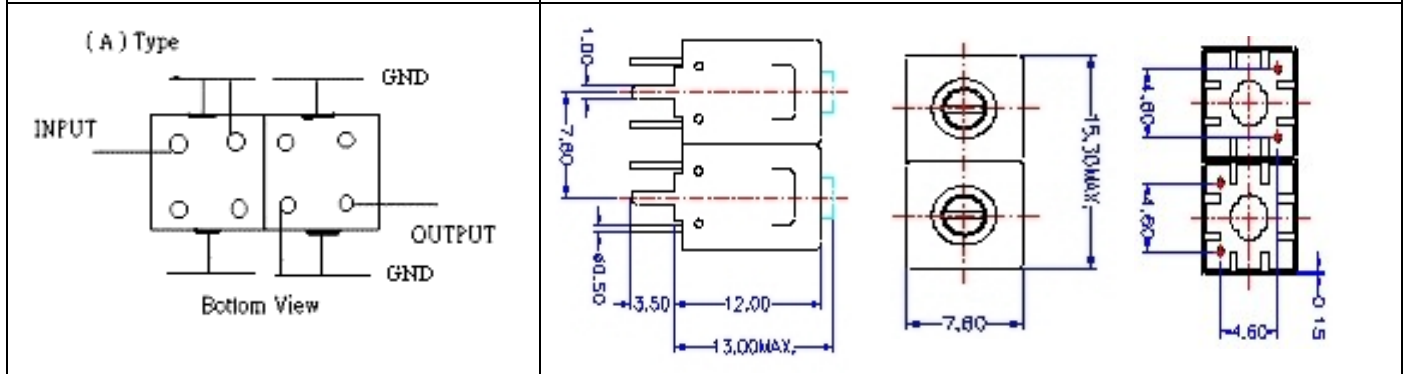


VHF UHF Helical Filter Specification Sheet

Customer Name		Temwell's Part No.	TD6861A-610M
Approval No. /dated	20506050APR	Acceptable Specify Fo. Range	596~640MHz
Work Instruction No.	20506050B	Date	Jul.04.2005

(1)Pin Position (2)Size Diagram



(3)Electric Character

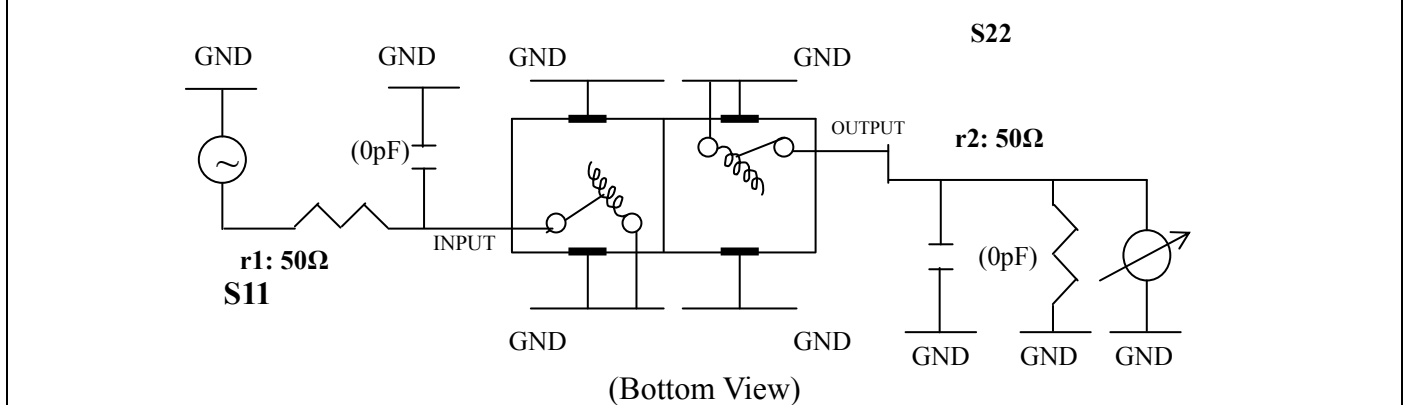
Item	Specify	Performance	
Center Freq.(Fo) +/- 0.5 %	610 MHz	610 MHz	
Tunable Range	610±5 MHz	610±5 MHz	
Insertion Loss	Typ. 4.0 dB	3.02 dB	
-3 dB Bandwidth	Typ. 5 MHz	10.2 MHz	
Sensitivity (Attenuation)	Fo - 20 MHz	Typ. 18 dBc	22 dBc
	Fo + 20 MHz	Typ. 17 dBc	20 dBc
	Fo - ()MHz	Typ. dBc	dBc
	Fo +()MHz	Typ. dBc	dBc
Return Loss	Min. 12 dB	27.7 dB	
Ripple	< 1 dB	dB	
Impedance	In / Out : 50 Ω	In / Out : 50 Ω	
(4)Torque for Tuning Screw	> 100gf · cm		

(5)Temperature Condition:

Operating Temperature	0°C ~ +60°C
Storage Temperature	20°C ~ +70°C

(6)Input Power > 1 Watt

7)Measuring Circuit: ※Easy to match Impedance 50Ω by parallel with about (0) pF.



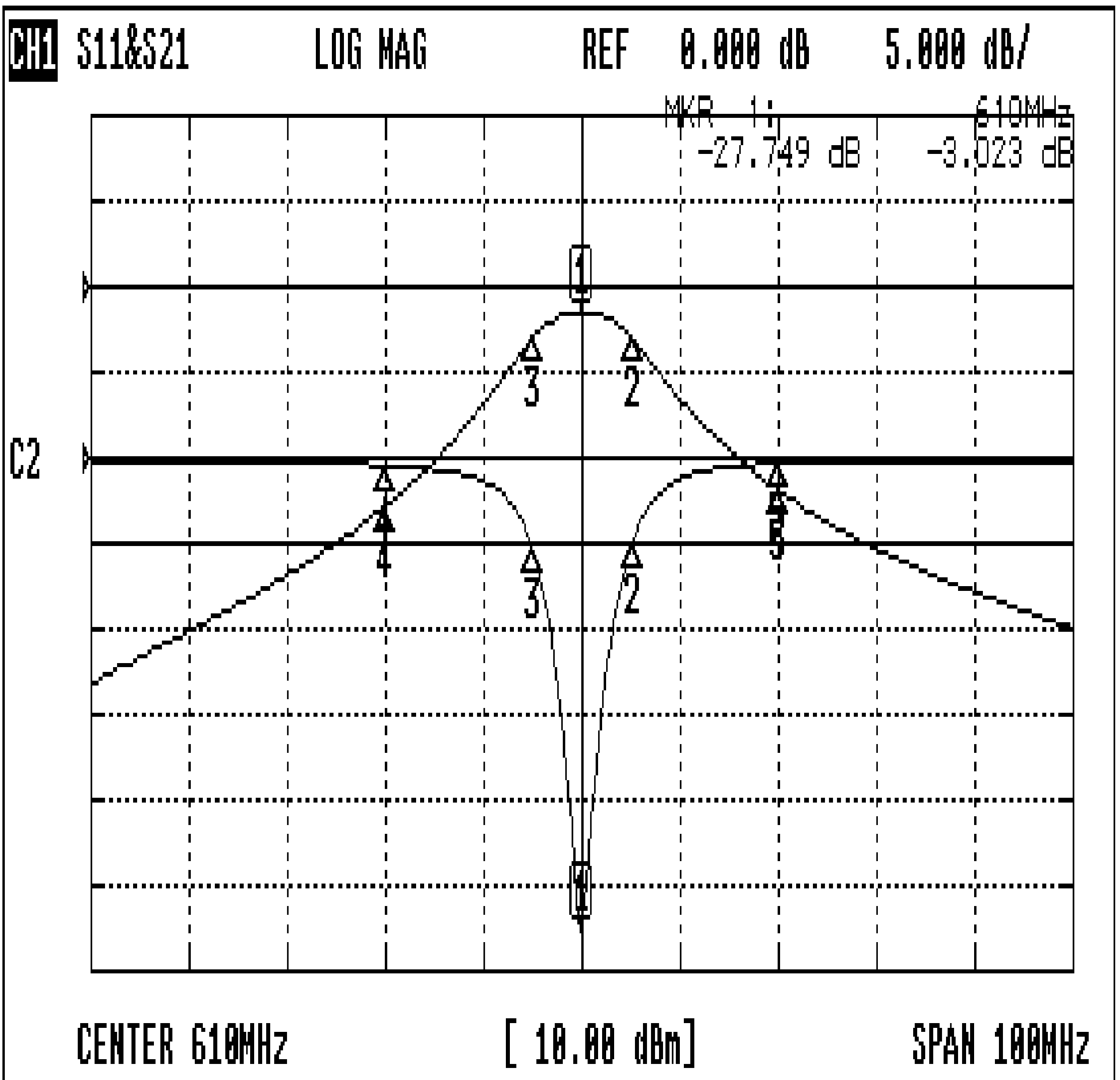
Approval	Supervisor	Designer	Aperture size
C.Y.Chang	C.S.Chang	P.H.Chiang	7H2S(4*4.65)F 7H046LB4 聚 3

TEMWELL CORPORATION

RF Filter & Duplexer Manufacturer

Performance-TD6861A-610M

20506050B



CH1 MARKER LIST

1:	610.000MHz	-27.749 dB	-3.023 dB
2:	615.166MHz	-5.029 dB	-6.102 dB
3:	605.000MHz	-5.227 dB	-6.013 dB
4:	590.000MHz	-0.443 dB	-25.598 dB
5:	630.000MHz	-0.330 dB	-23.789 dB