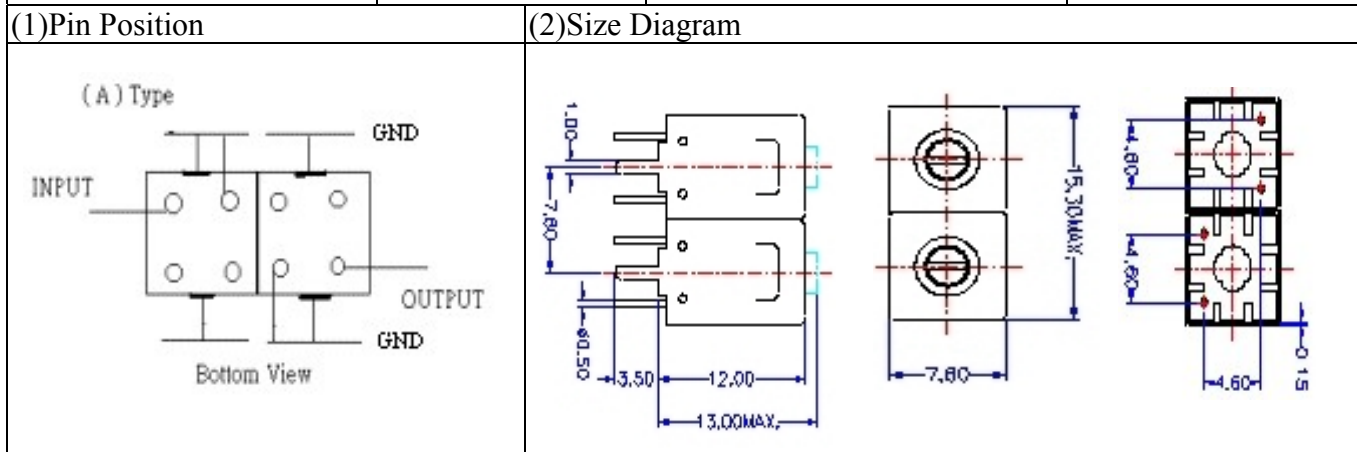


# VHF UHF Helical Filter Specification Sheet

Customer Name		Temwell's Part No.	TD6859A-580M
Approval No. /dated	20506042APR	Acceptable Specify Fo. Range	556~595MHz
Work Instruction No.	20506042B	Date	Jul.01.2005



### (3)Electric Charasteric

Item	Specify	Performance	
Center Freq.(Fo ) +/- 0.5 %	580 MHz	580 MHz	
Tunable Range	580±5 MHz	580±5 MHz	
Insertion Loss	Typ. 4.0 dB	2.63 dB	
-3 dB Bandwidth	Typ. 8 MHz	11.7 MHz	
Sensitivity (Attenuation )	Fo - 50 MHz	Typ. 35 dBc	39 dBc
	Fo + 50 MHz	Typ. 30 dBc	34 dBc
	Fo - ( )MHz	Typ. dBc	dBc
	Fo +( )MHz	Typ. dBc	dBc
Return Loss	Min. 12 dB	29.8 dB	
Ripple	< 1 dB	dB	
Impedance	In / Out : 50 Ω	In / Out : 50 Ω	

(4)Torque for Tuning Screw > 100gf · cm

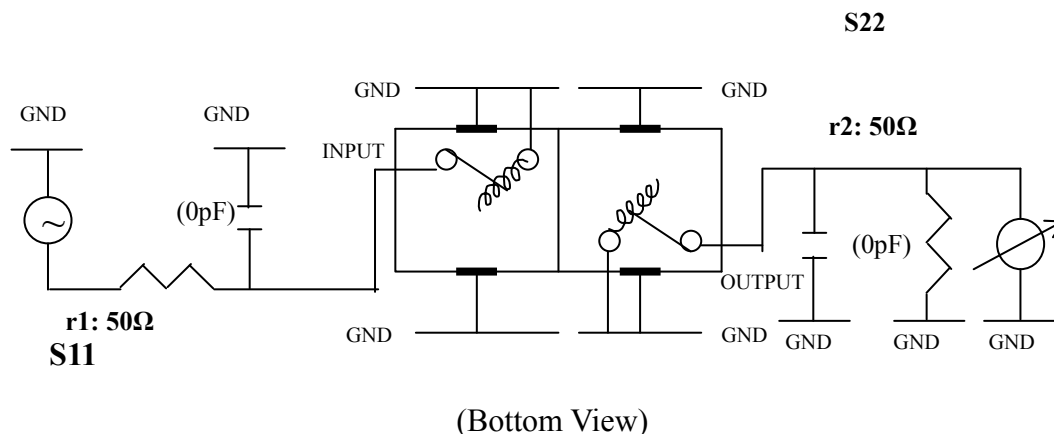
(5)Temperature Condition:

Operating Temperature 0°C ~ +60°C

Storage Temperature -20°C ~ +70°C

(6)Input Power > 1Watt

(7)Measuring Circuit: ※Easy to match Impedance 50Ω/ by parallel with about ( 0 ) pF.



Approval	Supervisor	Designer	Aperture size
C.Y.Chang	C.S.Chang	P.H.Chiang	7H2(4*4.65)-(4.70) 7H046LB4 聚 3

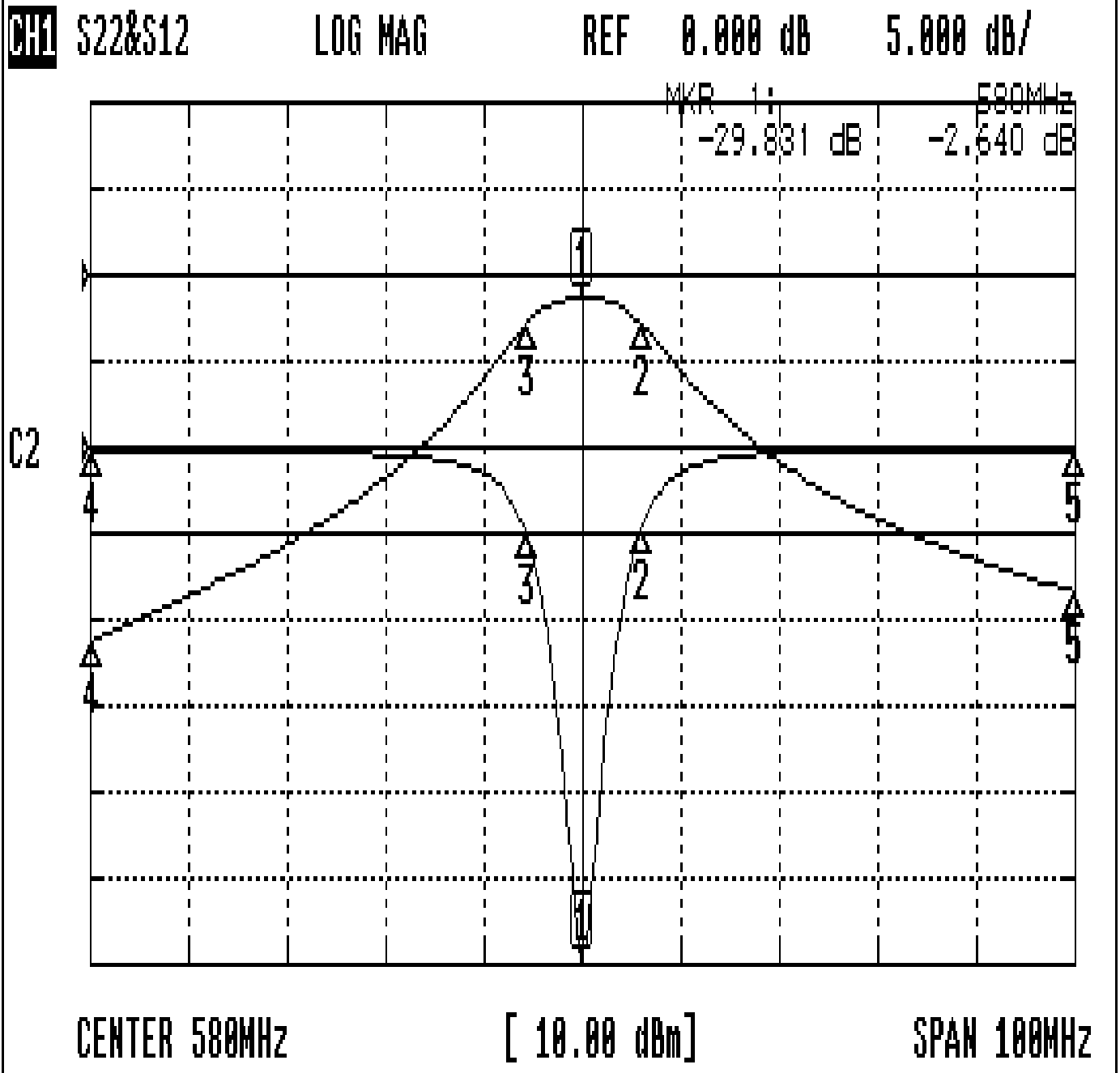
TEMWELL CORPORATION

TEMWELL

Form10-7H2A Vision D

# Performance-TD6859A-580M

## 20506042B



### CH1 MARKER LIST

1:	580.000MHz	-29.835 dB	-2.638 dB
2:	586.000MHz	-4.799 dB	-5.649 dB
3:	574.333MHz	-5.079 dB	-5.667 dB
4:	530.000MHz	-0.185 dB	-42.539 dB
5:	630.000MHz	-0.142 dB	-36.707 dB