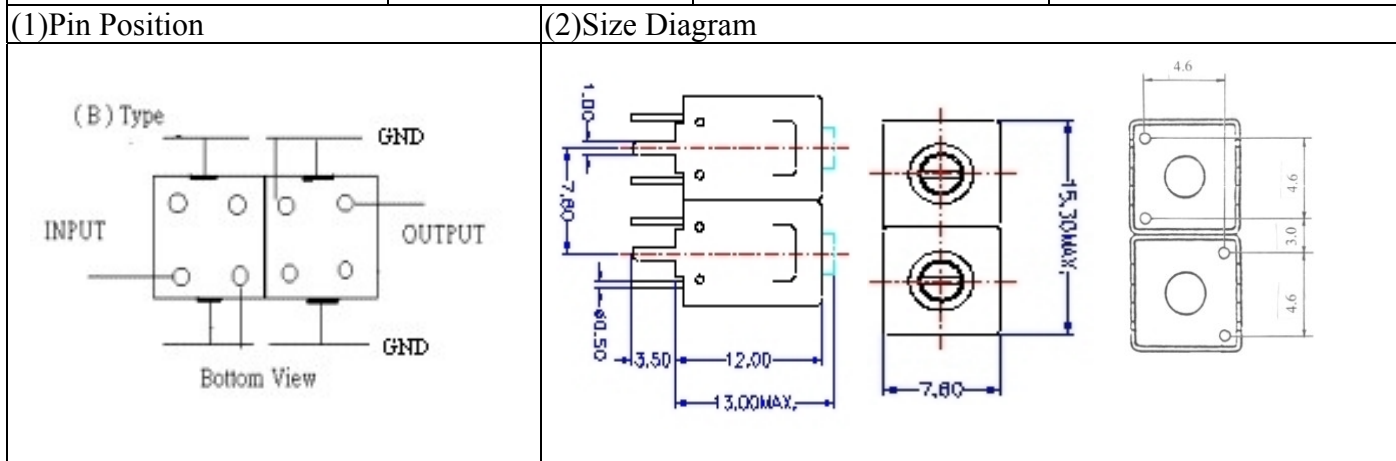


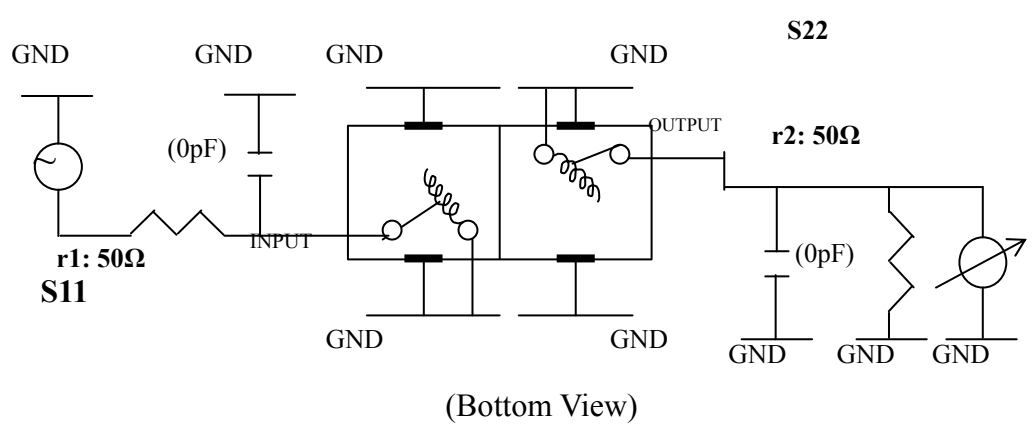
VHF UHF Helical Filter Specification Sheet

Customer Name		Temwell's Part No.	TD6850B-506M
Approval No. /dated	0710011APR	Acceptable Specify Fo Range	456~515 MHZ
Work Instruction No.	0710011B	Date	Oct.11.2007



(3) Electric Character			
Item	Specify	Performance	
Center Freq.(Fo) +/- 0.75 %	506 MHz	506 MHz	
Tunable Range	506±5 MHz	506±5 MHz	
Insertion Loss	Typ. 6.0 dB	5.10 dB	
-3 dB Bandwidth	Typ. 4 MHz	6.4 MHz	
Sensitivity (Attenuation)	Fo - 50 MHz	Typ. 50 dBc	55 dBc
	Fo + 50 MHz	Typ. 40 dBc	43 dBc
	Fo - ()MHz	Typ. dBc	dBc
	Fo +()MHz	Typ. dBc	dBc
Return Loss	Min. 12 dB	20.3 dB	
Ripple	< 1 dB	dB	
Impedance	In / Out : 50 Ω	In / Out : 50 Ω	
(4) Torque for Tuning Screw	> 100gf · cm		
(5) Temperature Condition:			
Operating Temperature	-30°C ~ +70°C		
Storage Temperature	-30°C ~ +80°C		
(6) Input Power	> 1Watt		

(7) Measuring Circuit: ※Easy to match Impedance 50Ω by parallel with about (0) pF.

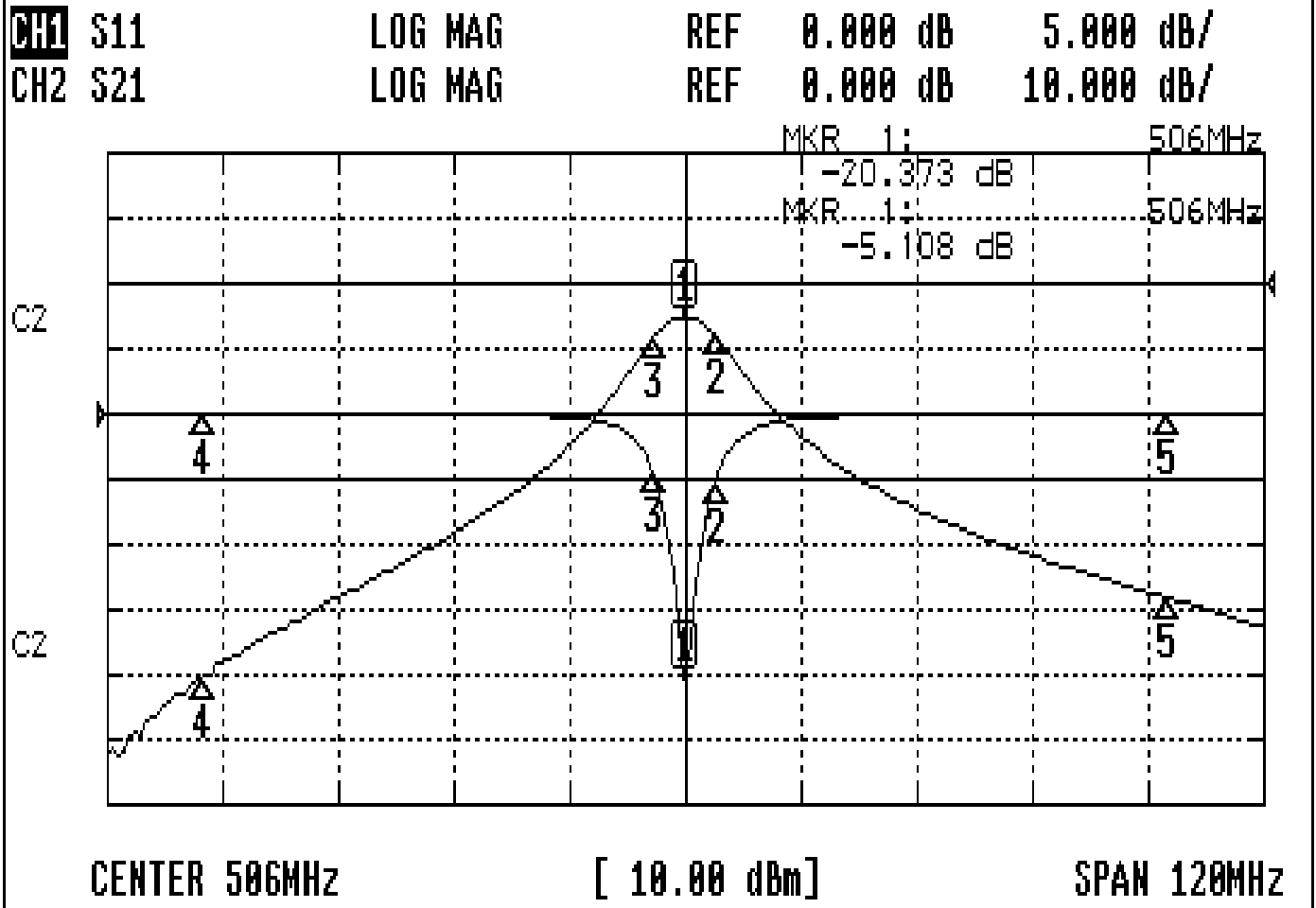


Approval	Supervisor	Designer	Aperture size
C.Y.Chang	C.S.Chang	P.H.Chiang	7H2(4*6.5)(4.68) 7H046LB4 聚 3

TEMWELL CORPORATION

Performance-TD6850B-506M

0710011B



CH1 MARKER LIST

1	506.000MHz	-20.375 dB
2	509.200MHz	-5.021 dB
3	502.800MHz	-4.698 dB
4	456.000MHz	0.051 dB
5	556.000MHz	0.077 dB

CH2 MARKER LIST

1	506.000MHz	-5.107 dB
2	509.200MHz	-1.175 dB
3	502.800MHz	-1.183 dB
4	456.000MHz	-0.207 dB
5	556.000MHz	-0.204 dB