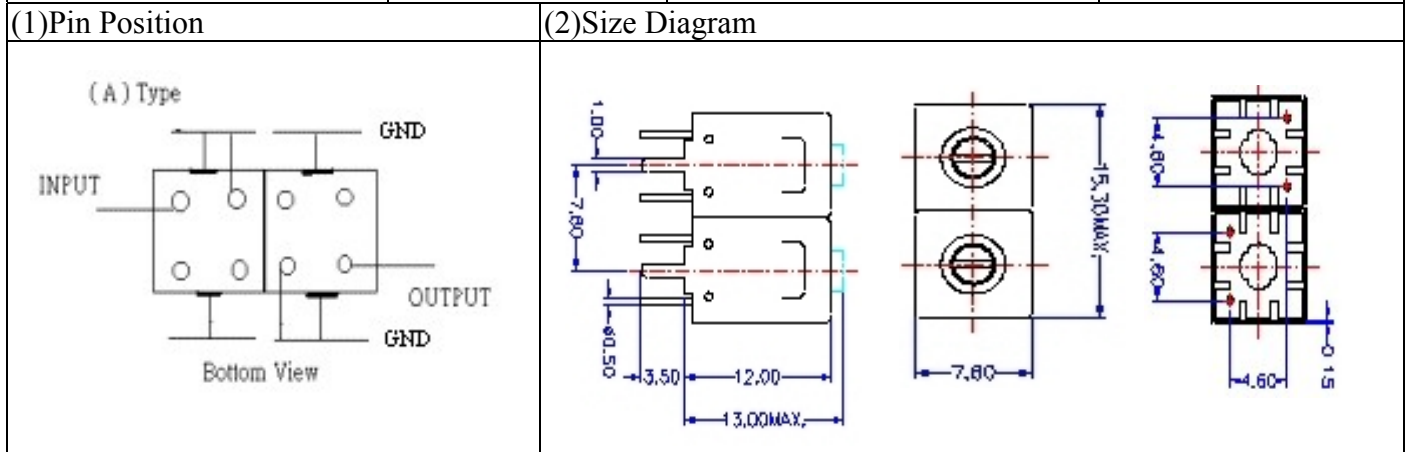
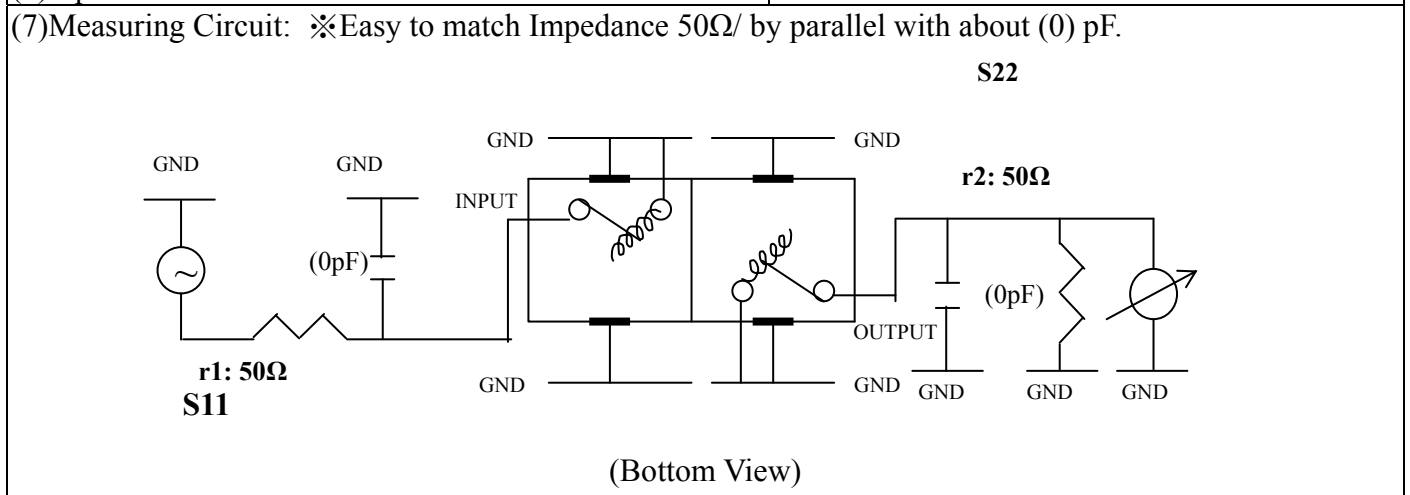


VHF UHF Helical Filter Specification Sheet

Customer Name		Temwell's Part No.	TD6850A-546.25M
Approval No. /dated	20506043APR	Acceptable Specify Fo. Range	516~555MHz
Work Instruction No.	20506043B	Date	Jun.30.2005



(3)Electric Charasteric		Item	Specify	Performance
Center Freq.(Fo) +/- 0.5 %			546.25 MHz	546.25 MHz
Tunable Range			546.25±3 MHz	546.25±3 MHz
Insertion Loss		Typ.	6.0 dB	4.75 dB
-3 dB Bandwidth		Typ.	3 MHz	6.5 MHz
Sensitivity (Attenuation)	Fo - 50 MHz	Typ.	55 dBc	59 dBc
	Fo + 50 MHz	Typ.	40 dBc	44 dBc
	Fo - ()MHz	Typ.	dBc	dBc
	Fo +()MHz	Typ.	dBc	dBc
Return Loss		Min.	12 dB	29.6 dB
Ripple			< 1 dB	dB
Impedance			In / Out : 50 Ω	In / Out : 50 Ω
(4)Torque for Tuning Screw			> 100gf • cm	
(5)Temperature Condition:				
Operating Temperature			0°C ~ +60°C	
Storage Temperature			-20°C ~ +70°C	
(6)Input Power			> 1Watt	



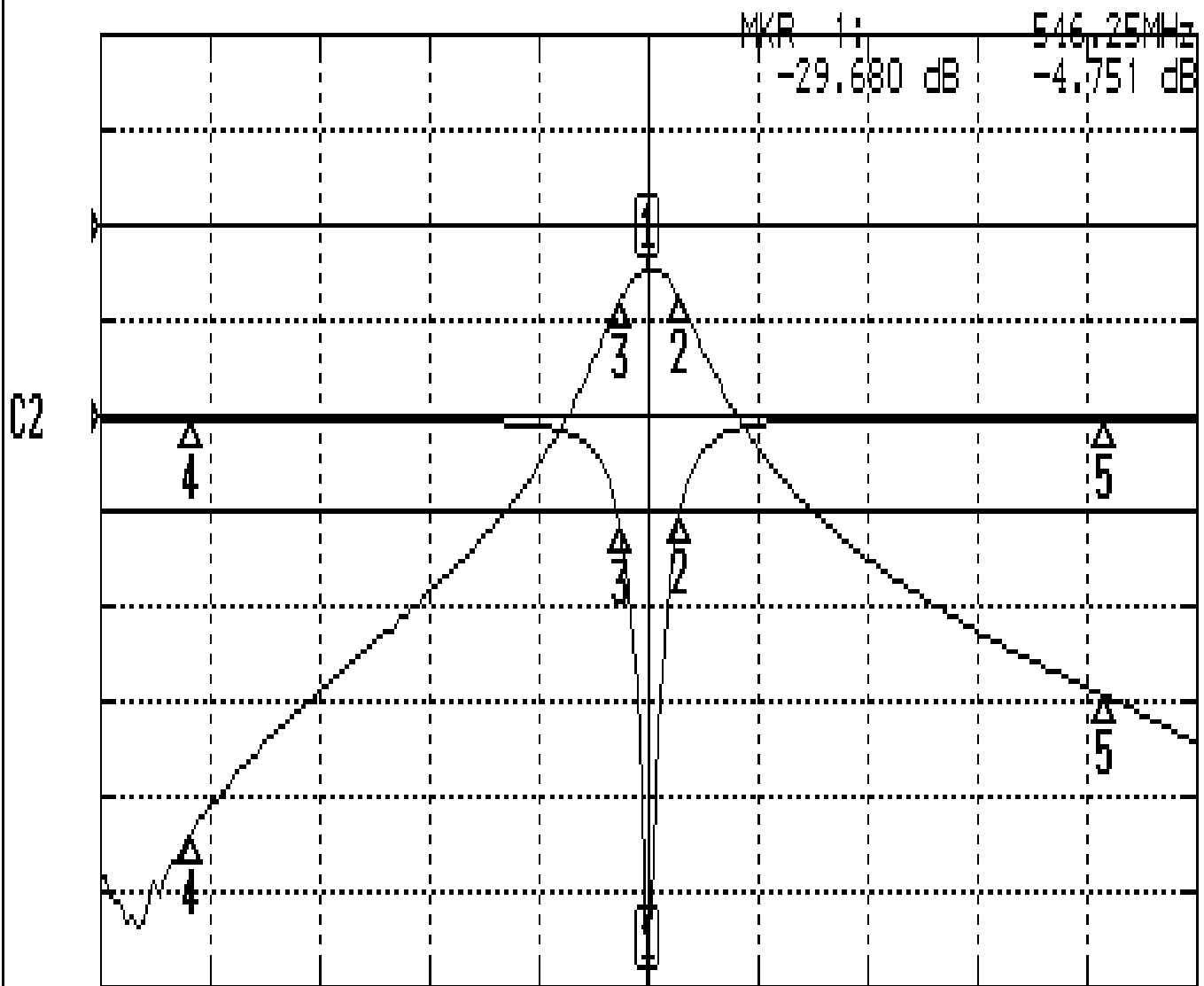
Approval	Supervisor	Designer	Aperture size
C.Y.Chang	C.S.Chang	P.H.Chiang	7H2(4*4.65)(4.68) 7H046LB4 聚 3

TEMWELL CORPORATION

Performance-TD6850A-546.25M

20506043B

CH1 S11&S21 LOG MAG REF 0.000 dB 5.000 dB/



CENTER 546.25MHz

[10.00 dBm]

SPAN 120MHz

CH1 MARKER LIST

1:	546.250MHz	-29.680 dB	-4.751 dB
2:	549.750MHz	-5.236 dB	-7.752 dB
3:	543.250MHz	-5.806 dB	-7.758 dB
4:	496.250MHz	-0.164 dB	-63.870 dB
5:	596.250MHz	-0.152 dB	-49.435 dB