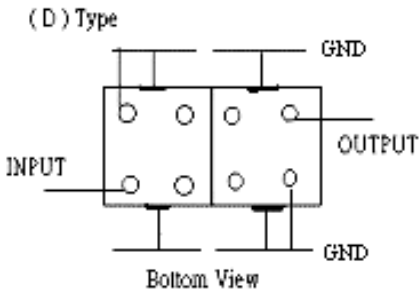
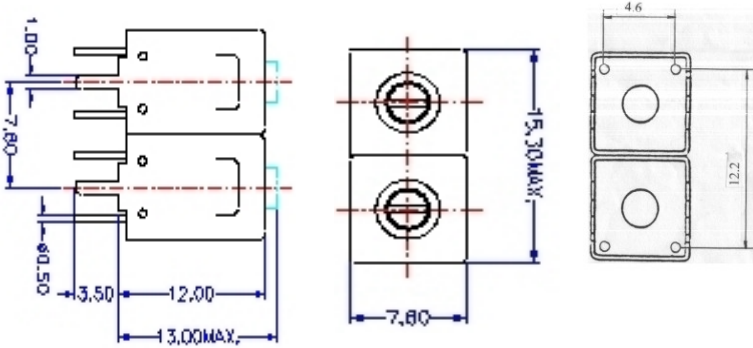


# VHF UHF Helical Filter Specification Sheet

Customer Name		Temwell's Part No.	TD6848D-480M
Approval No. /dated	2007073B	Acceptable Specify Fo. Range	456~515MHz
Work Instruction No.	2007073B	Date	

<p>(1)Pin Position</p>  <p style="text-align: center;">Bottom View</p>	<p>(2)Size Diagram</p> 
---	---

**(3)Electric Character**

Item	Specify	Performance
Center Freq.(Fo ) +/- 0.5 %	480 MHz	480 MHz
Tunable Range	480±5 MHz	480±5 MHz
Insertion Loss	Typ. 5.5 dB	4.60 dB
-3 dB Bandwidth	Typ. 3 MHz	7.1 MHz
Sensitivity (Attenuation )	Fo -30 MHz	Typ. 32 dBc
	Fo +30 MHz	Typ. 28 dBc
	Fo - ( )MHz	Typ. dBc
	Fo +( )MHz	Typ. dBc
Return Loss	Min. 12 dB	28.7 dB
Ripple	< 1 dB	dB
Impedance	In / Out : 50 Ω	In / Out : 50 Ω

(4)Torque for Tuning Screw > 100gf • cm

**(5)Temperature Condition:**

Operating Temperature	0°C ~ +60°C
Storage Temperature	-20°C ~ +70°C

(6)Input Power > 1Watt

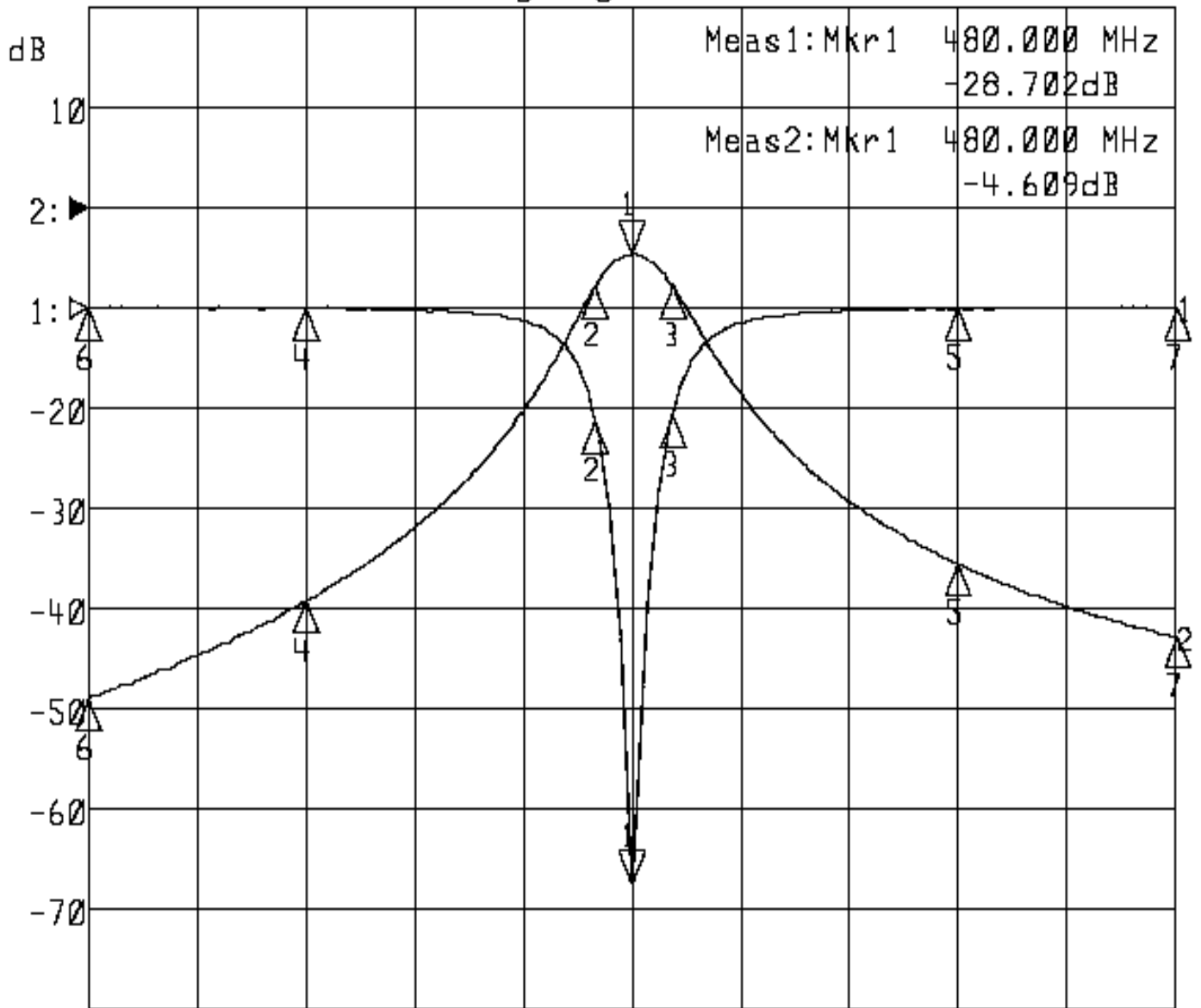
Approval	Supervisor	Designer	Aperture size
C.Y. Chang	C.S. Chang	C.S. Chang	7H2S(4*4.65)F 7H046LB4

**TEMWELL CORPORATION**

# Performance-TD6848D-480M

## 2007073B

▶1:S11 Refl Port1 Log Mag 5.0 dB/ Ref 0.00 dB C  
 ▶2:S21 Fwd Trans Log Mag 10.0 dB/ Ref 0.00 dB C



Center 480.000 MHz

Span 100.000 MHz

1: Mkr (MHz)	dB	2: Mkr (MHz)	dB
1> 480.0000	-28.702	1> 480.0000	-4.609
2: 476.6667	-5.592	2: 476.6667	-7.770
3: 483.7333	-5.379	3: 483.7333	-7.678
4: 450.0000	-0.003	4: 450.0000	-39.261
5: 510.0000	-0.010	5: 510.0000	-35.575
6: 430.0000	0.045	6: 430.0000	-48.906
7: 530.0000	0.012	7: 530.0000	-42.866