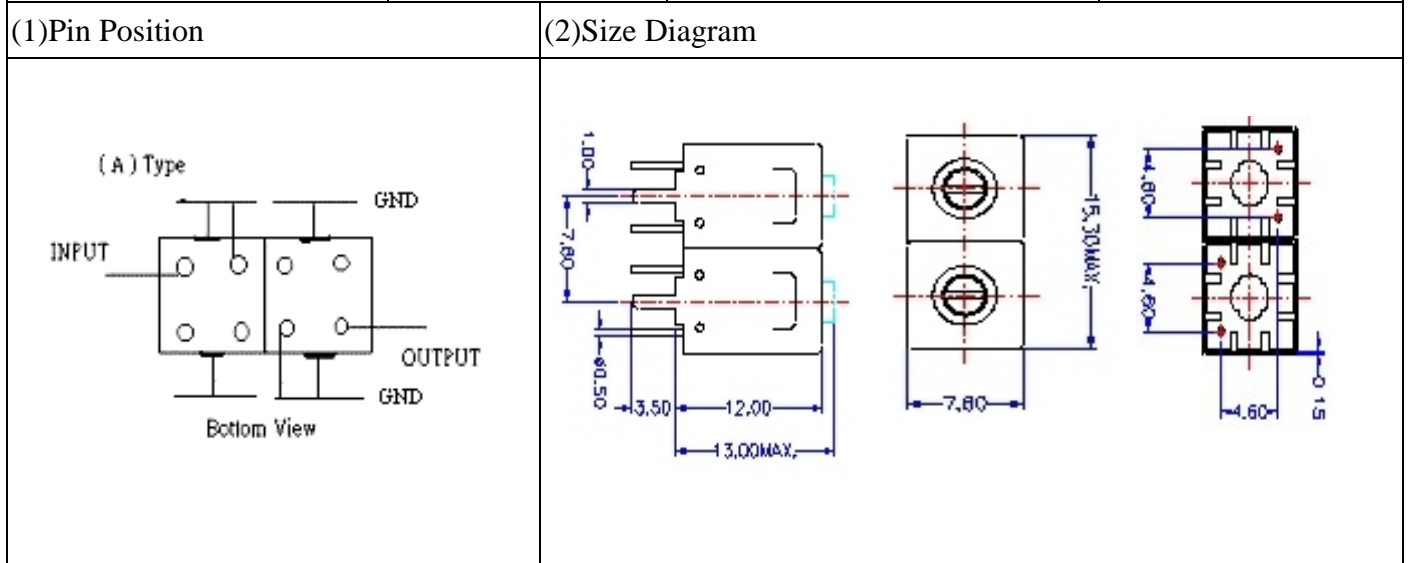


VHF UHF Helical Filter Specification Sheet

Customer Name		Temwell's Part No.	TD6848A-480M
Approval No. /dated	20104001B	Acceptable Specify Fo. Range	456~515MHz
Work Instruction No.	20104001B	Date	

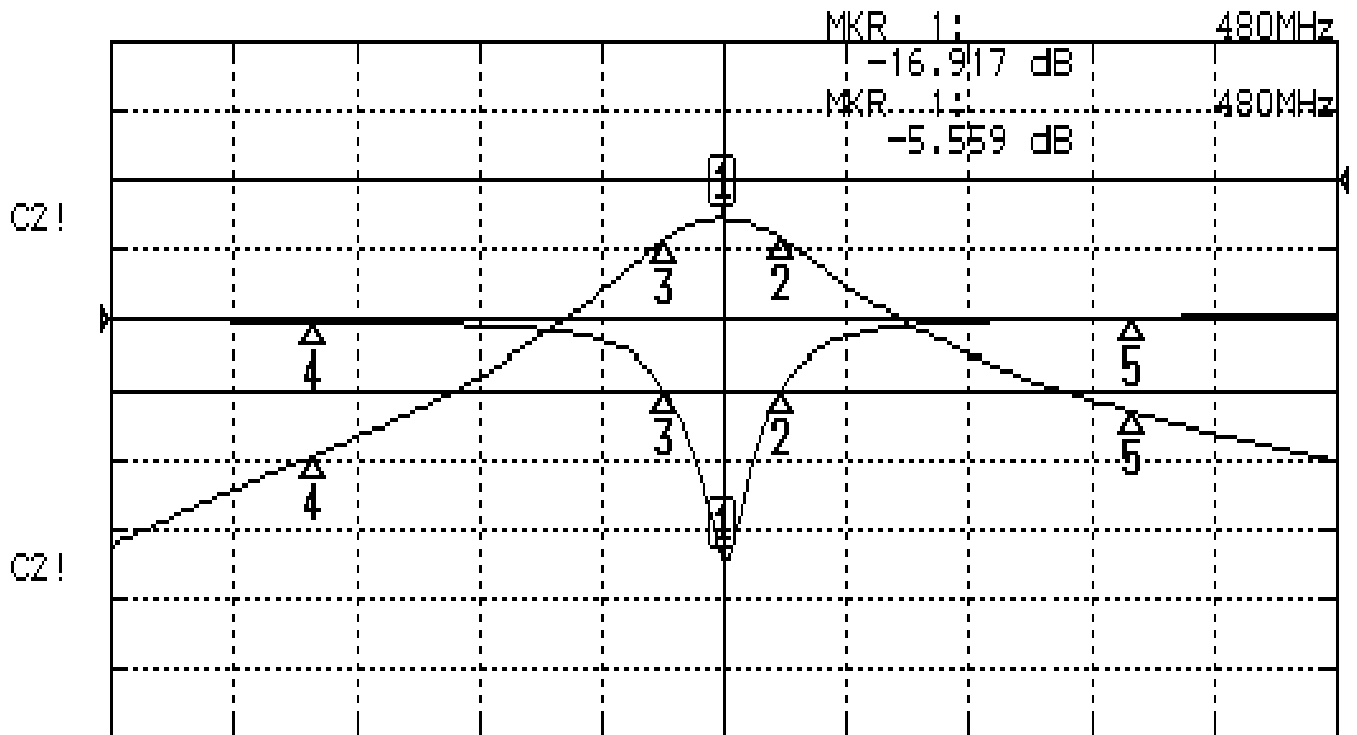


(3) Electric Character			
Item	Specify	Performance	
Center Freq.(Fo) +/- 0.5 %	480 MHz	480 MHz	
Tunable Range	480±5 MHz	480±5 MHz	
Insertion Loss	Typ. 7 dB	5.7 dB	
-3 dB Bandwidth	Typ. 2.5 MHz	5 MHz	
Sensitivity (Attenuation)	Fo -20 MHz	Typ. 30 dBc	33 dBc
	Fo +20 MHz	Typ. 25 dBc	27 dBc
	Fo - ()MHz	Typ. dBc	dBc
	Fo +()MHz	Typ. dBc	dBc
Return Loss	Min. 12 dB	16.9 dB	
Ripple	< 1 dB	dB	
Impedance	In / Out : 50 Ω	In / Out : 50 Ω	
(4) Torque for Tuning Screw		> 100gf · cm	
(5) Temperature Condition:			
Operating Temperature		0°C ~ +60°C	
Storage Temperature		-20°C ~ +70°C	
(6) Input Power		> 1Watt	
Approval	Supervisor	Designer	Aperture size
C.Y.Chang	C.S.Chang	C.S.Chang	7H2S(4*4.5)F 7H046LB4
TEMWELL CORPORATION			

Performance-TD6848A-480M

20104001B

CH1 S11 LOG MAG REF 0.000 dB 5.000 dB/
 CH2 S21 LOG MAG REF 0.000 dB 10.000 dB/



CENTER 480MHz

[10.00 dBm]

SPAN 60MHz

CH1 MARKER LIST

1:	480.000MHz	-16.917 dB
2:	482.900MHz	-4.805 dB
3:	477.150MHz	-4.980 dB
4:	460.000MHz	-0.228 dB
5:	500.000MHz	0.092 dB

CH2 MARKER LIST

1:	480.000MHz	-5.559 dB
2:	482.900MHz	-1.111 dB
3:	477.150MHz	-1.190 dB
4:	460.000MHz	-1.190 dB
5:	500.000MHz	-2.963 dB