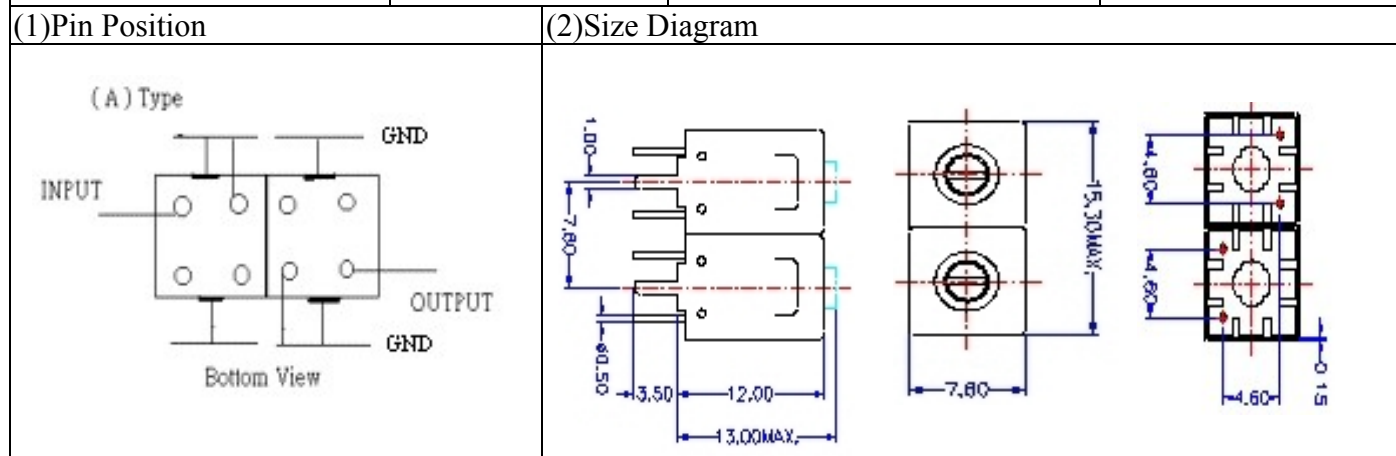


VHF UHF Helical Filter Specification Sheet

Customer Name		Temwell's Part No.	TD6796A-612M
Approval No. /dated	20506033APR	Acceptable Specify Fo. Range	596~640MHz
Work Instruction No.	20506033B	Date	Jun.24.2005



(3) Electric Characteristic

Item	Specify	Performance	
Center Freq.(Fo) +/- 0.5 %	612 MHz	612 MHz	
Tunable Range	612± 5 MHz	612±5 MHz	
Insertion Loss	Typ. 3.5 dB	2.44 dB	
-3 dB Bandwidth	Typ. 9 MHz	12.3 MHz	
Sensitivity (Attenuation)	Fo - 50 MHz	Typ. 41 dBc	45 dBc
	Fo + 50 MHz	Typ. 23 dBc	27 dBc
	Fo - ()MHz	Typ. dBc	dBc
	Fo +()MHz	Typ. dBc	dBc
Return Loss	Min. 12 dB	35.4 dB	
Ripple	< 1 dB	dB	
Impedance	In / Out : 50 Ω	In / Out : 50 Ω	

(4) Torque for Tuning Screw > 100gf · cm

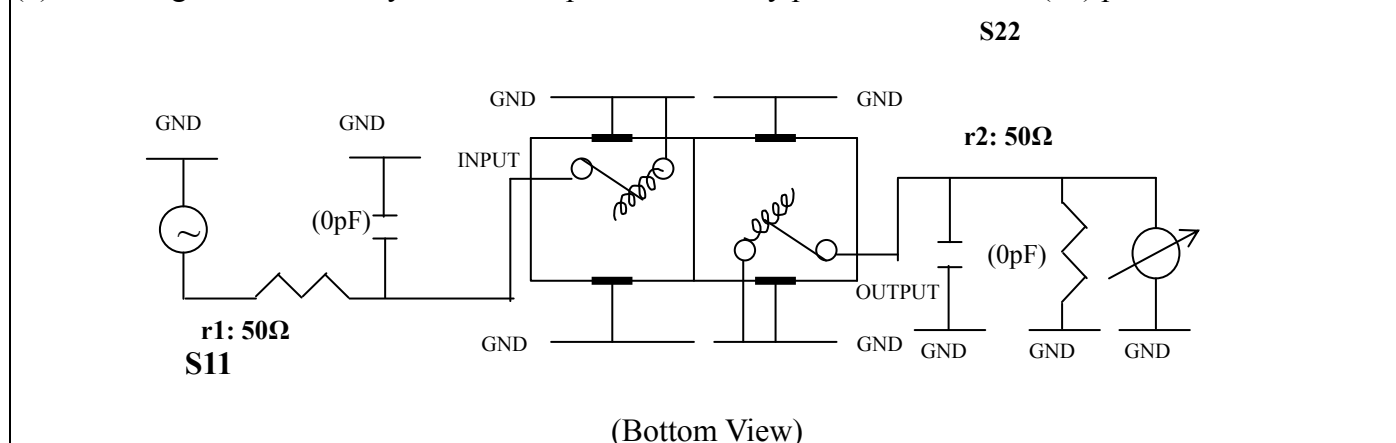
(5) Temperature Condition:

Operating Temperature -0°C ~ +60°C

Storage Temperature -20°C ~ +70°C

(6) Input Power > 1Watt

(7) Measuring Circuit: ※Easy to match Impedance 50Ω/ by parallel with about (0) pF.

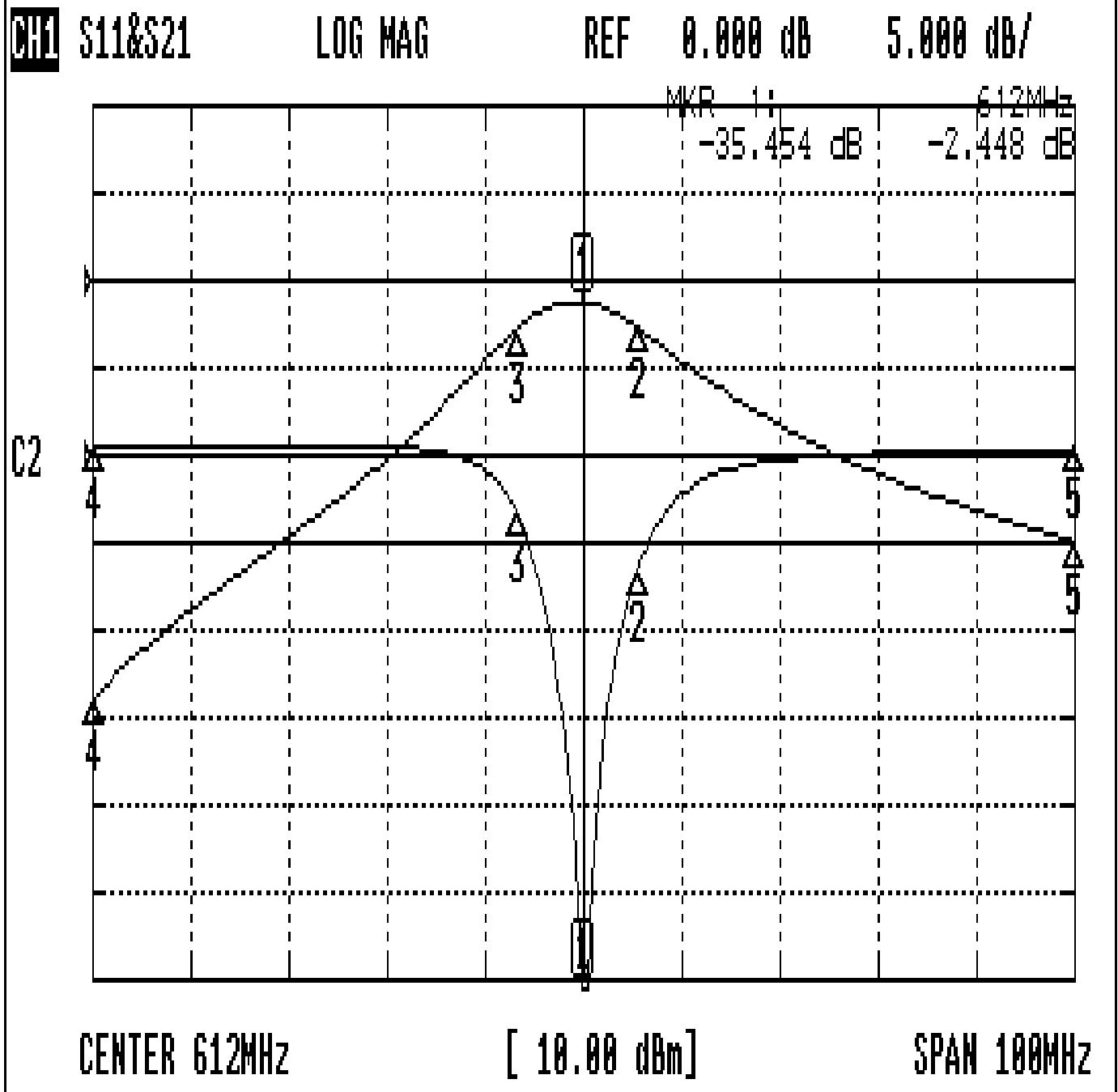


Approval	Supervisor	Designer	Aperture size
C.Y.Chang	C.S.Chang	Enlan	7H2(4*5.5)-(4*5.6) 7H046LB4 聚 3

TEMWELL CORPORATION

Performance-TD6796A-612M

20506033B



CH1 MARKER LIST

1:	612.000MHz	-35.454 dB	-2.448 dB
2:	617.583MHz	-6.486 dB	-5.438 dB
3:	605.250MHz	-3.276 dB	-5.448 dB
4:	562.000MHz	0.570 dB	-48.043 dB
5:	662.000MHz	0.396 dB	-29.777 dB