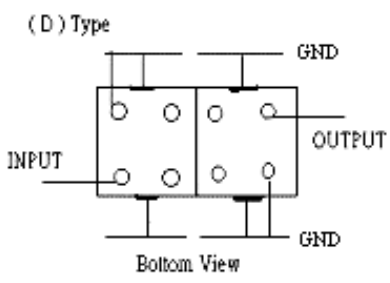
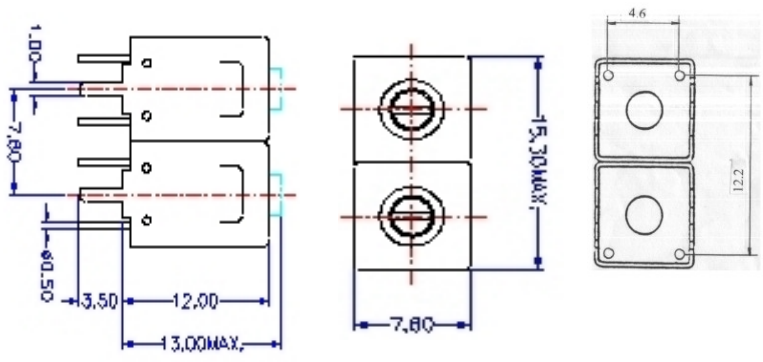


VHF UHF Helical Filter Specification Sheet

Customer Name		Temwell's Part No.	TD6793D-480M
Approval No. /dated	20302072B	Acceptable Specify Fo. Range	456~515MHz
Work Instruction No.	20302072B	Date	Mar.04.2003

(1)Pin Position	(2)Size Diagram
 <p>(D) Type GND OUTPUT INPUT GND Bottom View</p>	

(3)Electric Charasteric

Item	Specify	Performance	
Center Freq.(Fo) +/- 0.5 %	480 MHz	480 MHz	
Tunable Range	480±5 MHz	480±5 MHz	
Insertion Loss	Typ. 3.5 dB	2.47 dB	
-3 dB Bandwidth	Typ. 6 MHz	11.2 MHz	
Sensitivity (Attenuation)	Fo - 50 MHz	Typ. 38 dBc	41 dBc
	Fo + 50 MHz	Typ. 28 dBc	32 Bc
	Fo - ()MHz	Typ. dBc	dBc
	Fo +()MHz	Typ. dBc	dBc
Return Loss	Min. 12 dB	14.9 dB	
Ripple	< 1 dB	dB	
Impedance	In / Out : 50 Ω	In / Out : 50 Ω	
(4)Torque for Tuning Screw	> 100gf · cm		

(5)Temperature Condition:

Operating Temperature	0°C ~ +60°C
Storage Temperature	-20°C ~ +70°C
(6)Input Power	> 1Watt

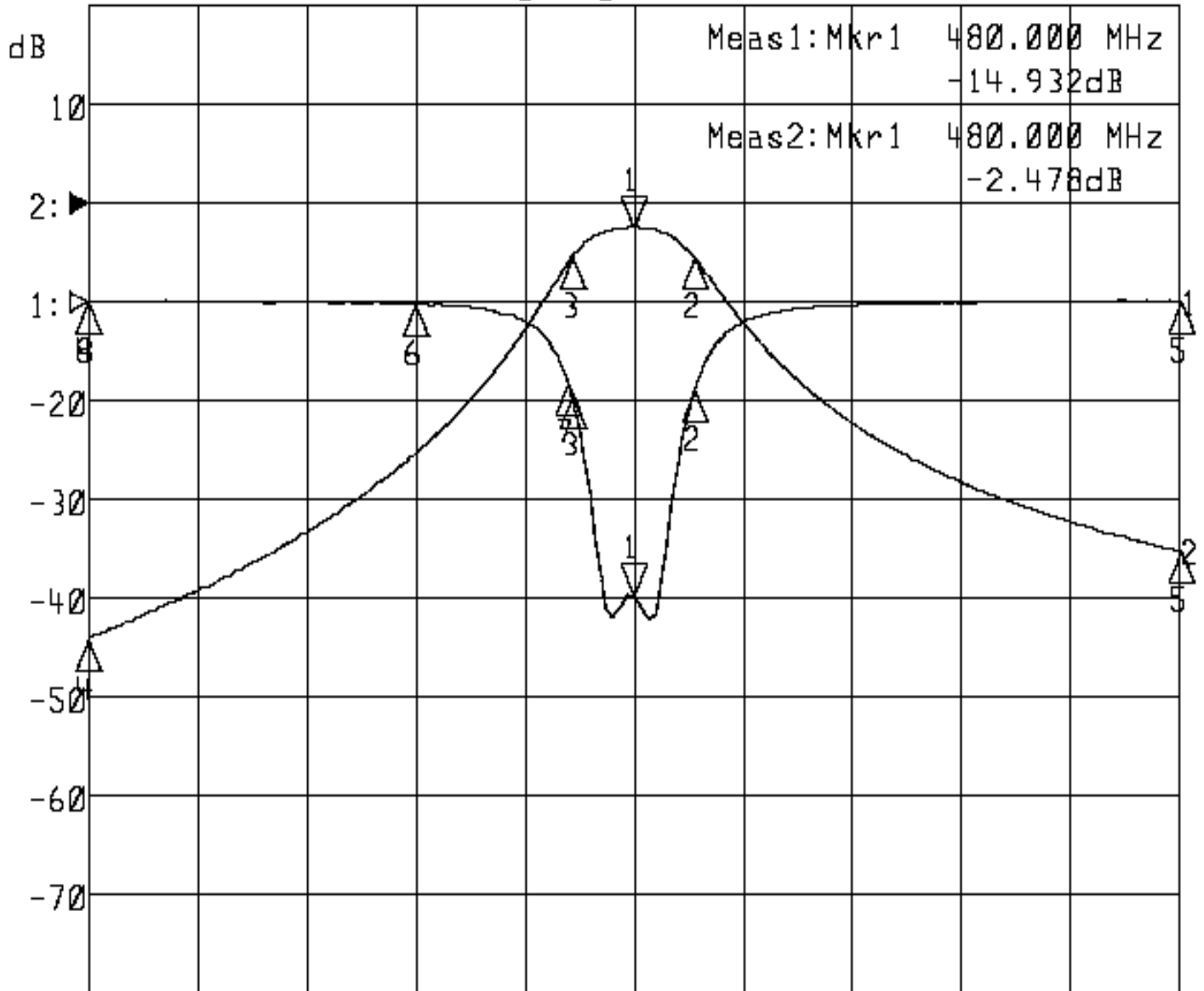
Approval	Supervisor	Designer	Aperture size
C.Y. Chang	C.S. Chang	C.S. Chang	7H2S (4*4.5) 7H046LB4

TEMWELL CORPORATION

Performance-TD6793D-480M

20302072B

▶1:S11 Refl Port1 Log Mag 5.0 dB/ Ref 0.00 dB C
 ▶2:S21 Fwd Trans Log Mag 10.0 dB/ Ref 0.00 dB C



Meas1: Mkr1 480.000 MHz
-14.932dB

Meas2: Mkr1 480.000 MHz
-2.478dB

Center 480.000 MHz

Span 100.000 MHz

1: Mkr (MHz)	dB	2: Mkr (MHz)	dB
1> 480.0000	-14.932	1> 480.0000	-2.478
2: 485.5000	-4.532	2: 485.5000	-5.408
3: 474.3333	-4.793	3: 474.3333	-5.465
4: 430.0000	-0.027	4: 430.0000	-44.129
5: 530.0000	0.001	5: 530.0000	-35.196
6: 460.0000	-0.146		
7: 474.0000	-4.106		
8: 430.0000	-0.027		