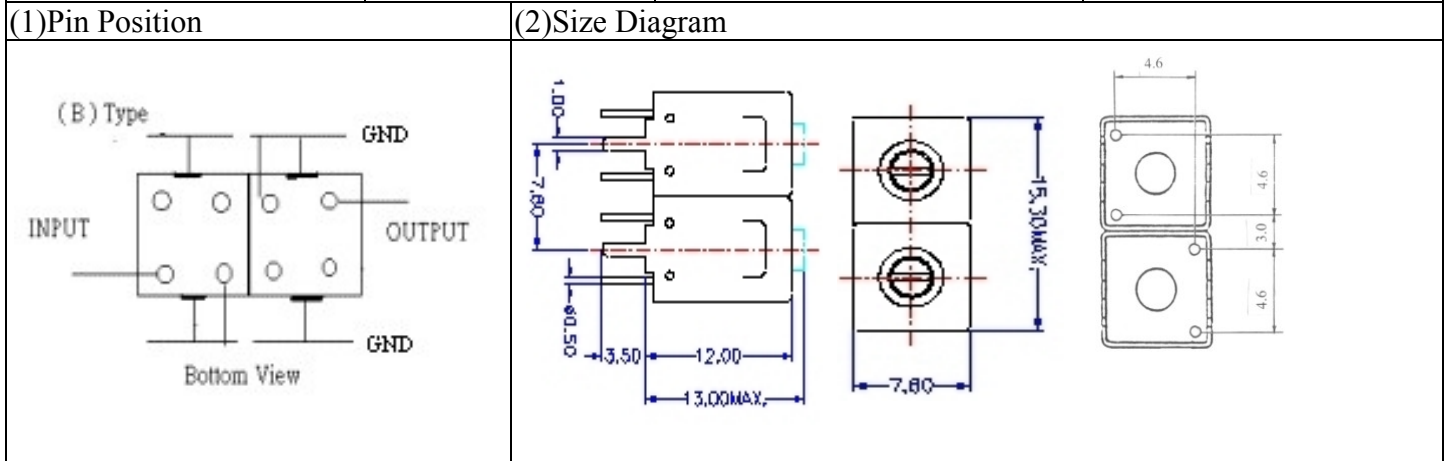


VHF UHF Helical Filter Specification Sheet

Customer Name		Temwell's Part No.	TD67852B-1275M
Approval No. /dated	0510155APR	Acceptable Specify Fo Range	1251-1300 MHz
Work Instruction No.	0510155DC	Date	Nov.15.2005

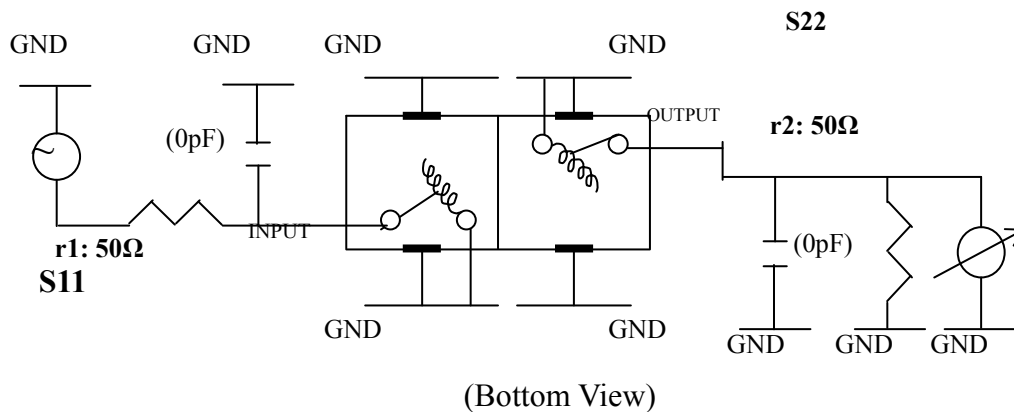


(3) Electric Character			
Item	Specify		Performance
Center Freq.(Fo) +/- 0.5 %	1275	MHz	1275 MHz
Tunable Range	1275±5	MHz	1275±5 MHz
Insertion Loss	Typ. 2.0	dB	1.03 dB
-3 dB Bandwidth	Typ. 55	MHz	61.5 MHz
Sensitivity (Attenuation)	Fo - 150 MHz	Typ. 26	dBc
	Fo + 150 MHz	Typ. 22	dBc
	Fo - ()MHz	Typ.	dBc
	Fo +()MHz	Typ.	dBc
Return Loss	Min. 12	dB	20.7 dB
Ripple	< 1	dB	dB
Impedance	In / Out : 50 Ω		In / Out : 50 Ω
(4) Torque for Tuning Screw	> 100gf · cm		

(5) Temperature Condition:	
Operating Temperature	0°C ~ +60°C
Storage Temperature	-20°C ~ +70°C

(6) Input Power	> 1Watt
-----------------	---------

(7) Measuring Circuit: ※Easy to match Impedance 50Ω by parallel with about (0) pF.



Approval	Supervisor	Designer	Aperture size
C.Y. Chang	C.S. Chang	C.S. Chang	7H2(4*7.5)(4*7.62) 7H046RB4

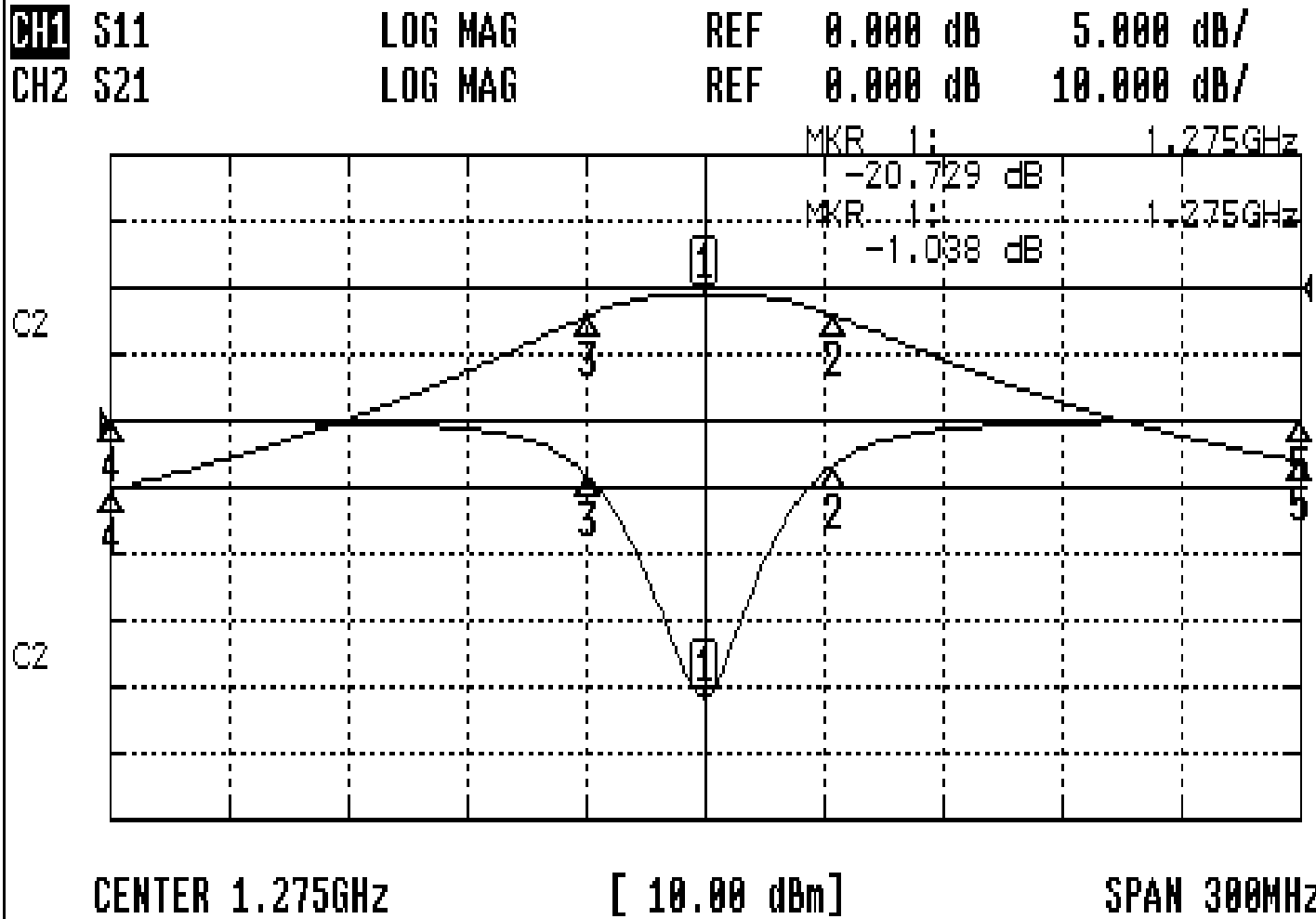
TEMWELL CORPORATION

TEMWELL

Form BP: C.S. Chang

Performance-TD67852B-1275M

0510155DC



CH1 MARKER LIST

1	1.275	000GHz	-20.733	dB
2	1.307	250GHz	-3.337	dB
3	1.245	750GHz	-4.232	dB
4	1.125	000GHz	-0.061	dB
5	1.425	000GHz	-0.035	dB

CH2 MARKER LIST

1	1.275	000GHz	-1.038	dB
2	1.307	250GHz	-4.064	dB
3	1.245	750GHz	-4.037	dB
4	1.125	000GHz	-30.452	dB
5	1.425	000GHz	-26.039	dB