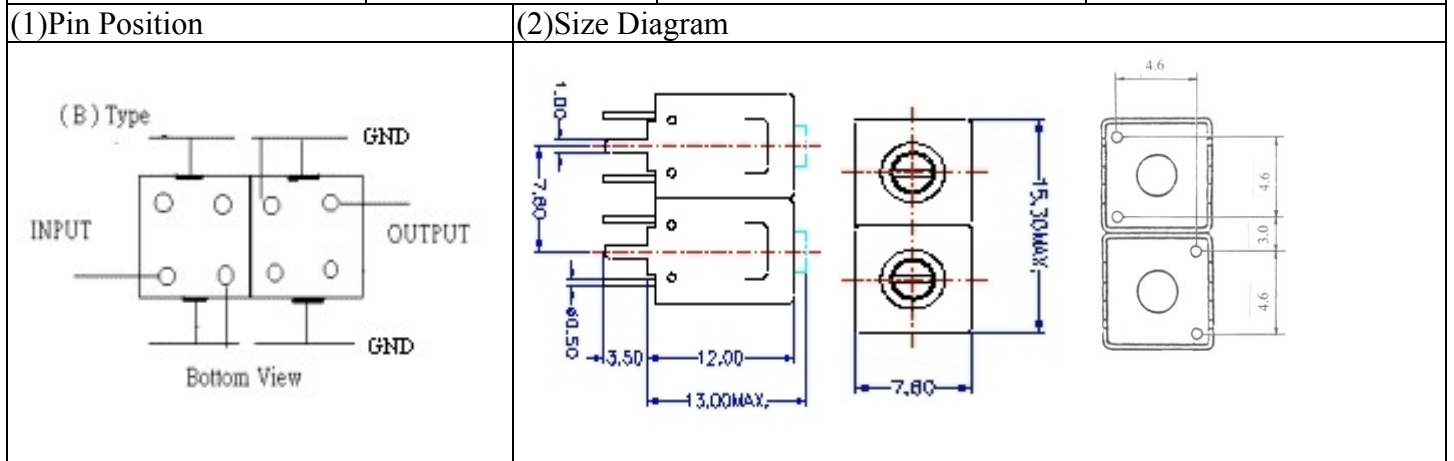


VHF UHF Helical Filter Specification Sheet

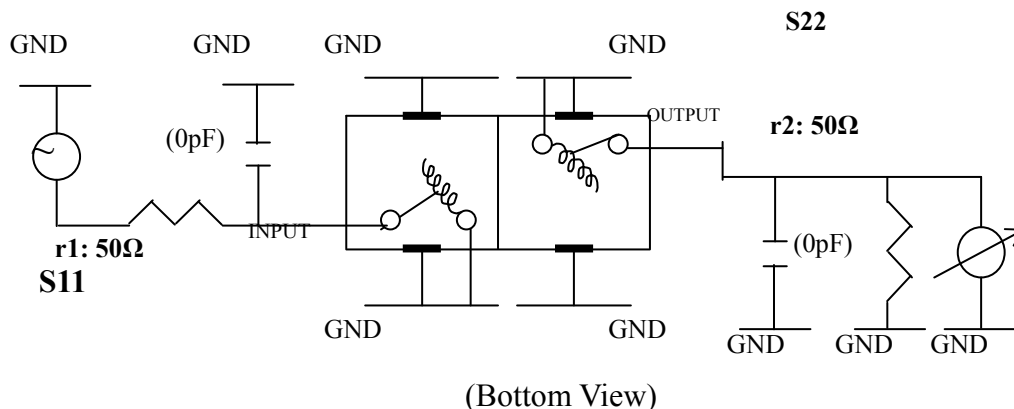
Customer Name		Temwell's Part No.	TD67851B-1215M
Approval No. /dated	0510154APR	Acceptable Specify Fo Range	1181-1250 MHz
Work Instruction No.	0510154DC	Date	Nov.15.2005



(3) Electric Character			
Item	Specify		Performance
Center Freq.(Fo) +/- 0.5 %	1215	MHz	1215 MHz
Tunable Range	1215±5	MHz	1215±5 MHz
Insertion Loss	Typ. 2.0	dB	1.29 dB
-3 dB Bandwidth	Typ. 60	MHz	68.5 MHz
Sensitivity (Attenuation)	Fo - 150 MHz	Typ. 25	dBc
	Fo + 150 MHz	Typ. 20	dBc
	Fo - ()MHz	Typ.	dBc
	Fo +()MHz	Typ.	dBc
Return Loss	Min. 12	dB	22.4 dB
Ripple	< 1	dB	dB
Impedance	In / Out : 50 Ω		In / Out : 50 Ω
(4) Torque for Tuning Screw	> 100gf · cm		

(5) Temperature Condition:	
Operating Temperature	0°C ~ +60°C
Storage Temperature	-20°C ~ +70°C
(6) Input Power	> 1Watt

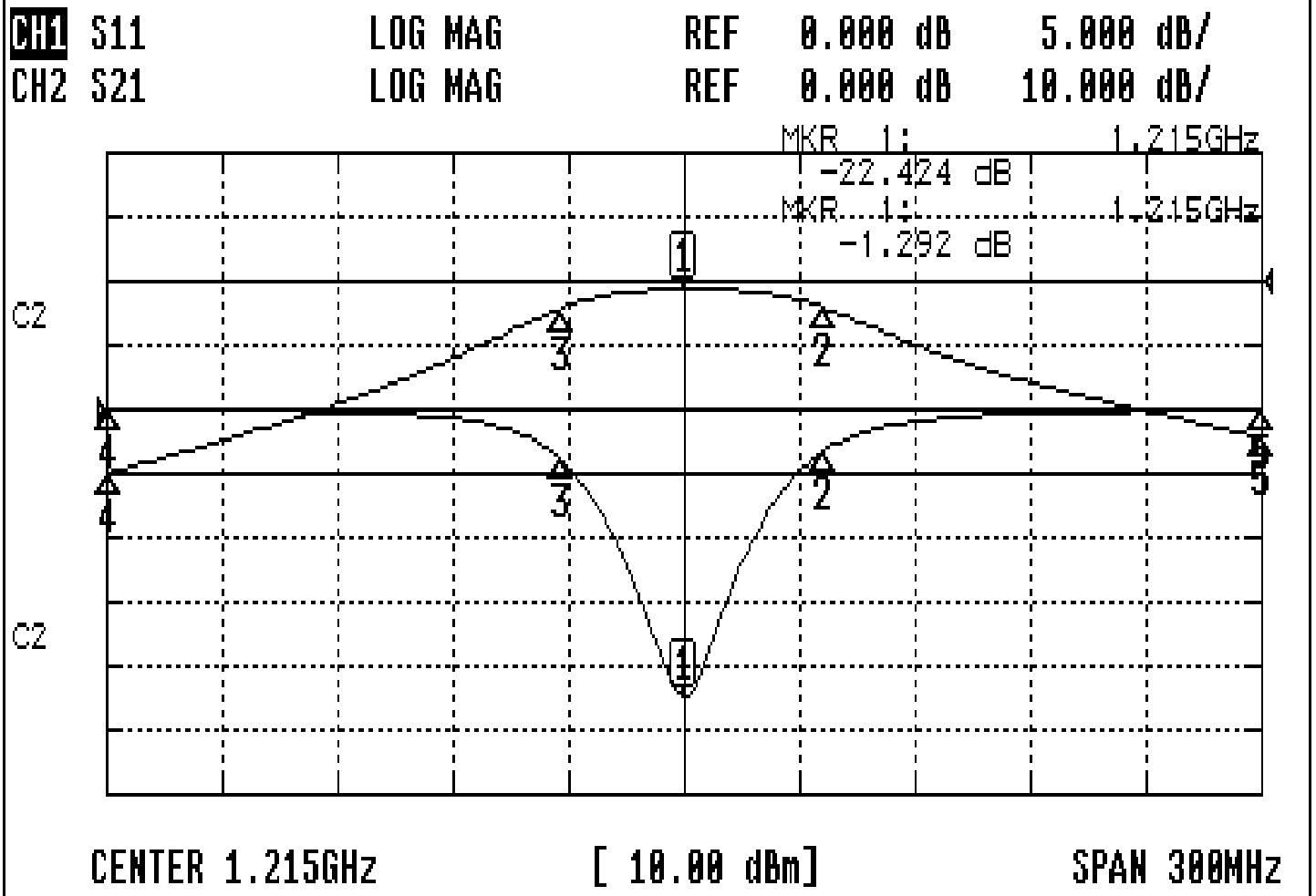
(7) Measuring Circuit: ※Easy to match Impedance 50Ω by parallel with about (0) pF.



Approval	Supervisor	Designer	Aperture size
C.Y. Chang	C.S. Chang	C.S. Chang	7H2(4*7.5)(4*7.61) 7H046RB4
TEMWELL CORPORATION			

Performance-TD67851B-1215M

0510154DC



CH1 MARKER LIST

1	1.215	000GHz	-22.424	dB
2	1.251	500GHz	-3.239	dB
3	1.183	000GHz	-3.920	dB
4	1.065	000GHz	-0.066	dB
	1.365	000GHz	-0.066	dB

CH2 MARKER LIST

1	1.215	000GHz	-1.292	dB
2	1.251	500GHz	-4.223	dB
3	1.183	000GHz	-4.242	dB
4	1.065	000GHz	-29.924	dB
	1.365	000GHz	-24.218	dB