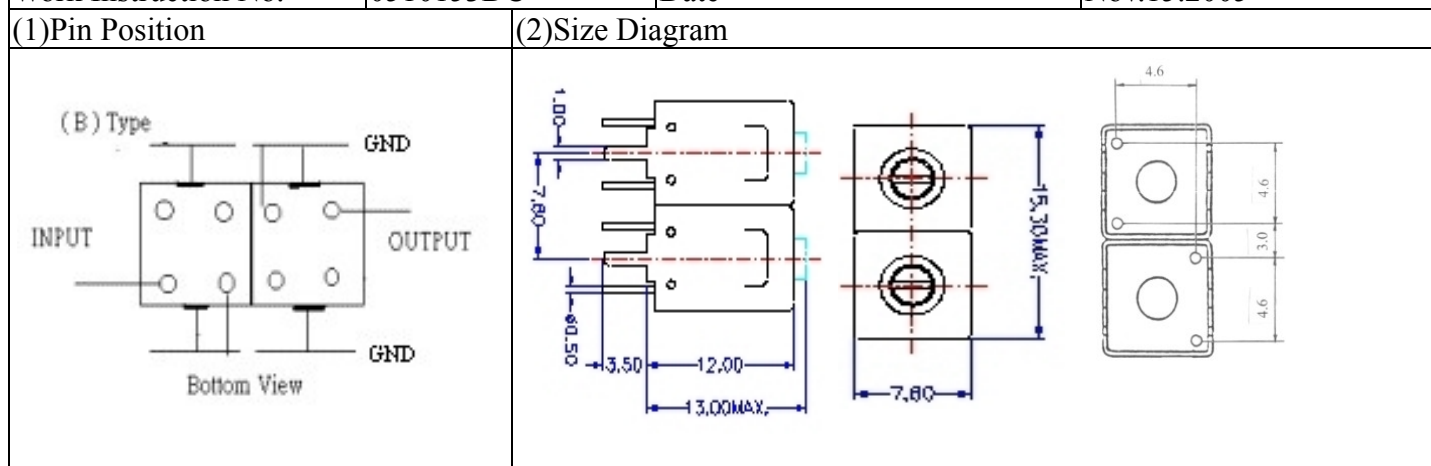


VHF UHF Helical Filter Specification Sheet

Customer Name		Temwell's Part No.	TD67850B-1140M
Approval No. /dated	0510153APR	Acceptable Specify Fo Range	1101-1180 MHz
Work Instruction No.	0510153DC	Date	Nov.15.2005



(3) Electric Character

Item	Specify	Performance	
Center Freq.(Fo) +/- 0.5 %	1140 MHz	1140 MHz	
Tunable Range	1140±5 MHz	1140±5 MHz	
Insertion Loss	Typ. 2.0 dB	1.03 dB	
-3 dB Bandwidth	Typ. 48 MHz	54.2 MHz	
Sensitivity (Attenuation)	Fo - 150 MHz	Typ. 30 dBc	33 dBc
	Fo + 150 MHz	Typ. 25 dBc	28 dBc
	Fo - ()MHz	Typ. dBc	dBc
	Fo + ()MHz	Typ. dBc	dBc
Return Loss	Min. 12 dB	23.5 dB	
Ripple	< 1 dB	dB	
Impedance	In / Out : 50 Ω	In / Out : 50 Ω	
(4) Torque for Tuning Screw	> 100gf · cm		

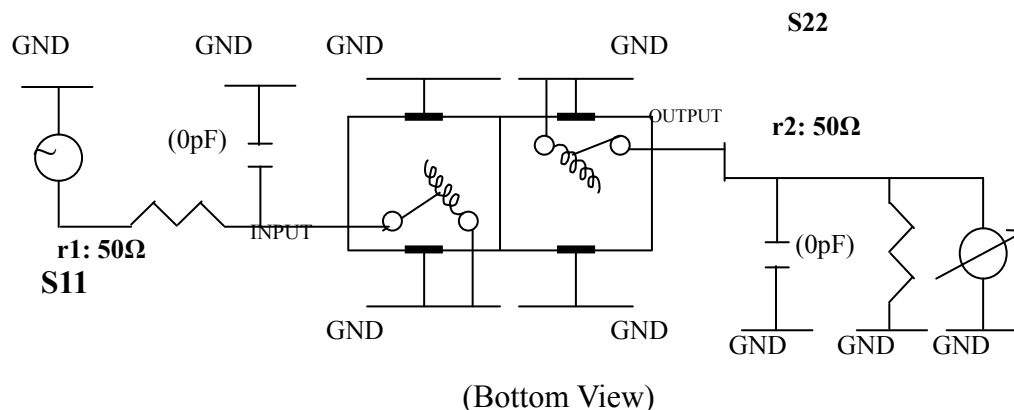
(5) Temperature Condition:

Operating Temperature	0°C ~ +60°C
Storage Temperature	-20°C ~ +70°C

(6) Input Power

> 1 Watt

(7) Measuring Circuit: ※Easy to match Impedance 50Ω by parallel with about (0) pF.

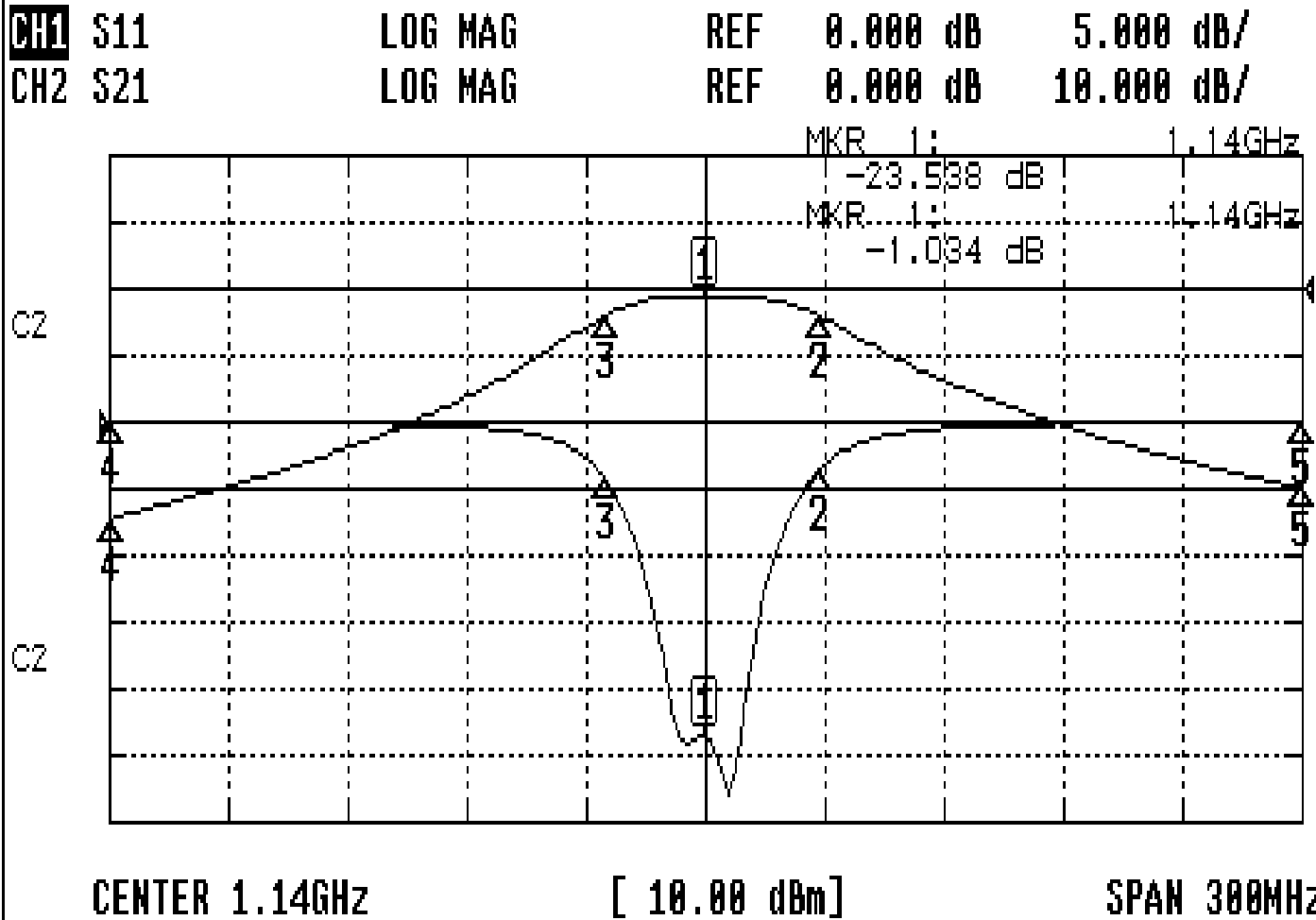


Approval	Supervisor	Designer	Aperture size
C.Y. Chang	C.S. Chang	C.S. Chang	7H2(4*8.0)(4*8.02) 7H046RB4

TEMWELL CORPORATION

Performance-TD67850B-1140M

0510153DC



CH1 MARKER LIST

1:	1.140	000GHz	-23.538	dB
2:	1.168	750GHz	-3.500	dB
3:	1.114	500GHz	-4.095	dB
4:	990	.000MHz	-0.020	dB
5:	1.290	000GHz	-0.020	dB

CH2 MARKER LIST

1:	1.140	000GHz	-1.034	dB
2:	1.168	750GHz	-4.087	dB
3:	1.114	500GHz	-4.066	dB
4:	990	.000MHz	-34.424	dB
5:	1.290	000GHz	-29.659	dB