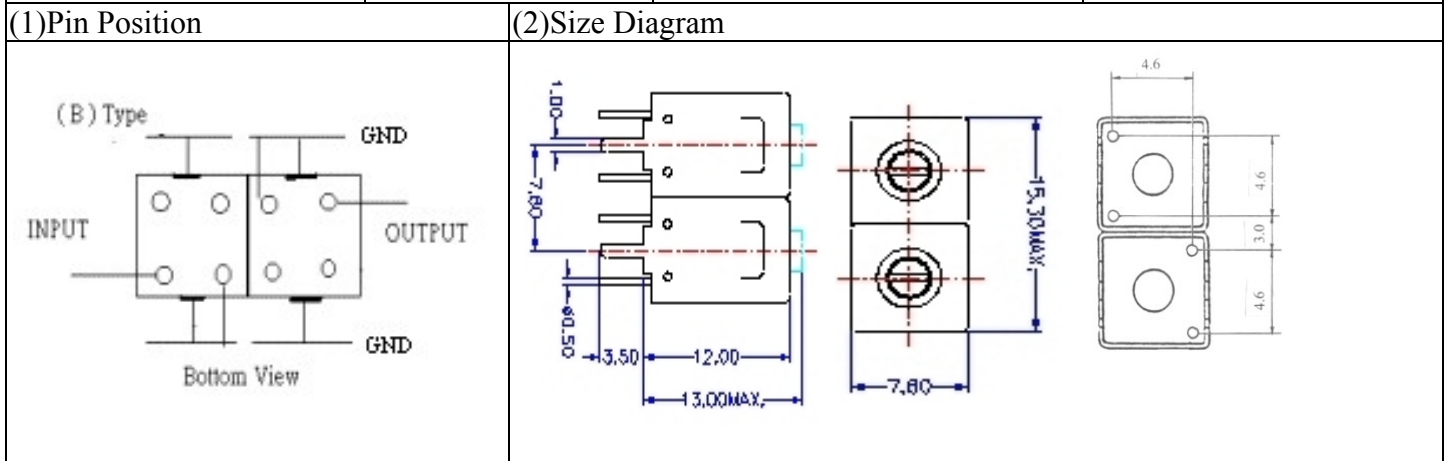


VHF UHF Helical Filter Specification Sheet

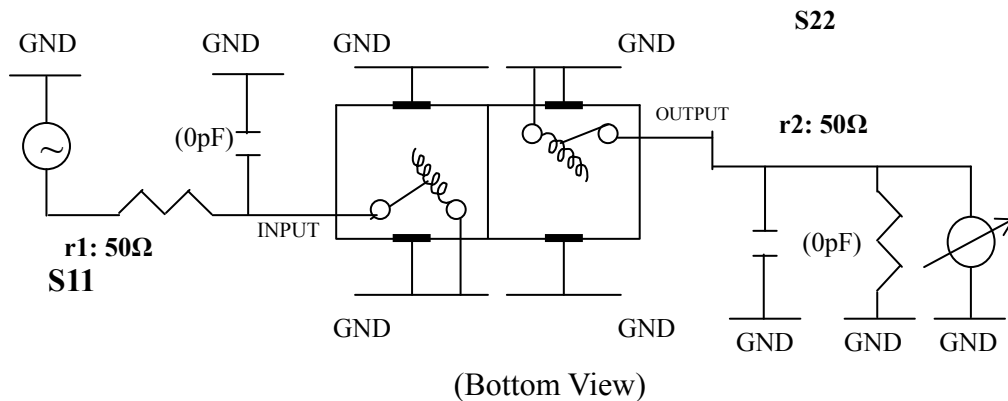
Customer Name		Temwell's Part No.	TD67848B-815M
Approval No. /dated	0510151APR	Acceptable Specify Fo Range	801-830 MHz
Work Instruction No.	0510151DC	Date	Nov.14.2005



(3) Electric Character		Specify	Performance
Item			
Center Freq.(Fo) +/- 0.5 %		815 MHz	815 MHz
Tunable Range		815±5 MHz	815±5 MHz
Insertion Loss	Typ.	2.0 dB	0.77 dB
-3 dB Bandwidth	Typ.	50 MHz	57.4 MHz
Sensitivity (Attenuation)	Fo - 150 MHz	Typ. 23 dBc	26 dBc
	Fo + 150 MHz	Typ. 26 dBc	29 dBc
	Fo - ()MHz	Typ. dBc	dBc
	Fo +()MHz	Typ. dBc	dBc
Return Loss	Min.	12 dB	34.2 dB
Ripple		< 1 dB	dB
Impedance		In / Out : 50 Ω	In / Out : 50 Ω
(4) Torque for Tuning Screw		> 100gf · cm	

(5) Temperature Condition:	
Operating Temperature	0°C ~ +60°C
Storage Temperature	-20°C ~ +70°C
(6) Input Power	> 1Watt

(7) Measuring Circuit: ※Easy to match Impedance 50Ω by parallel with about (0) pF.



Approval	Supervisor	Designer	Aperture size
C.Y. Chang	C.S. Chang	C.S. Chang	7H2S(4*6.5)(4*6.59) 7H046LB5

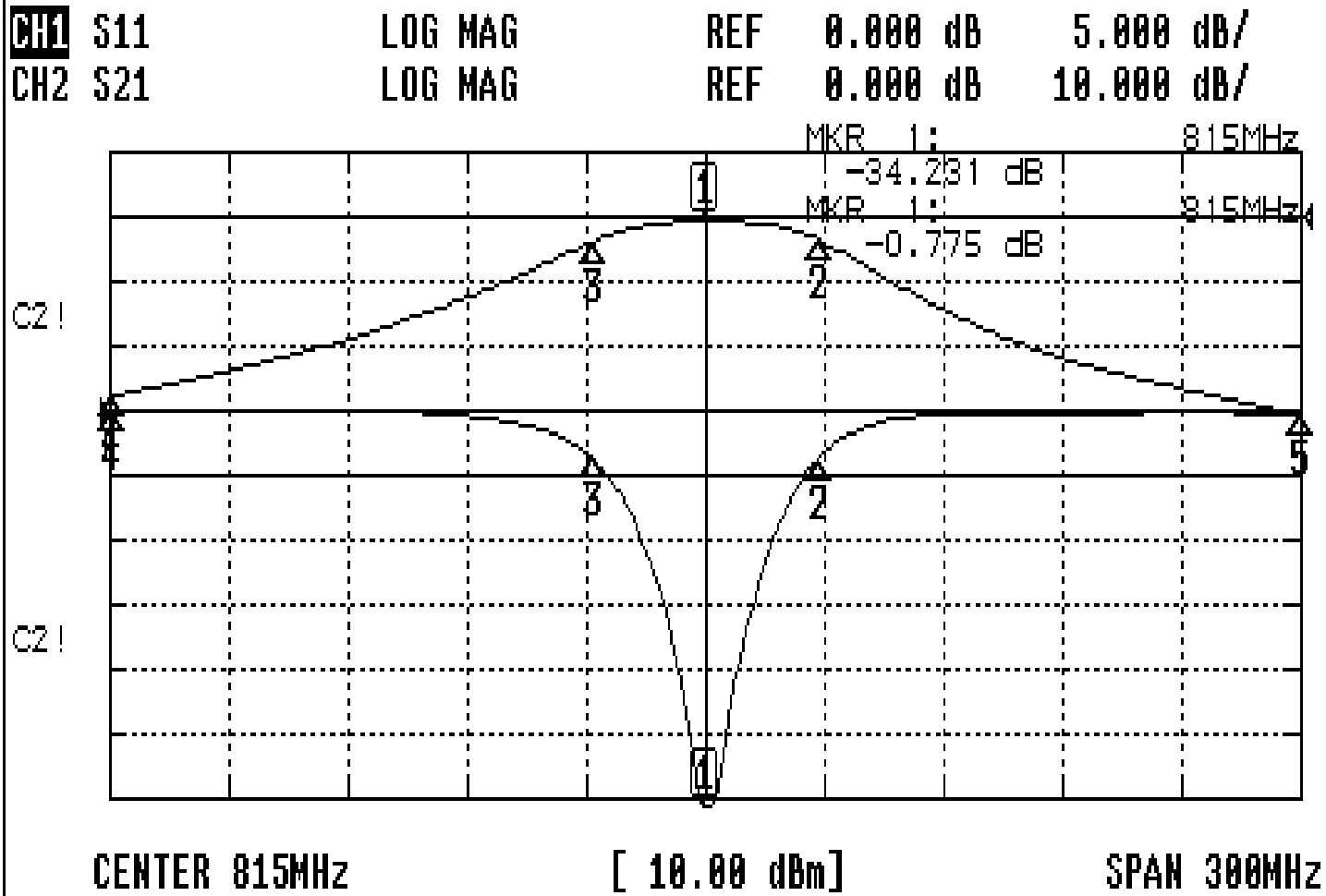
TEMWELL CORPORATION

TEMWELL

Form BP: C.S. Chang

Performance-TD67848B-815M

0510151DC



CH1 MARKER LIST

Marker	Frequency (MHz)	Magnitude (dB)
1	815.000	-34.231
2	844.000	-1.059
3	786.666	-1.674
4	665.000	-0.093
5	965.000	-0.271

CH2 MARKER LIST

Marker	Frequency (MHz)	Magnitude (dB)
1	815.000	-0.778
2	844.000	-1.766
3	786.666	-1.783
4	665.000	-27.817
5	965.000	-30.605