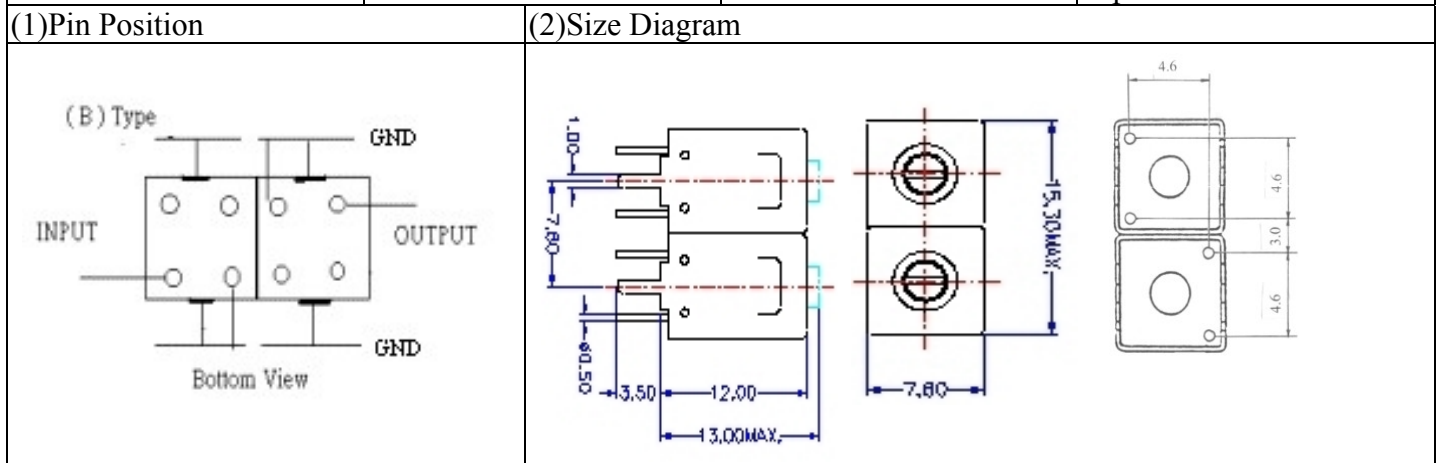


VHF UHF Helical Filter Specification Sheet

Customer Name		Temwell's Part No.	TD67823B-630M
Approval No. /dated	20508071APR	Temwell's print Name	67823B 630M
Work Instruction No.	20508071DC	Date	Sep.10.2005



(3) Electric Character

Item	Specify	Performance	
Center Freq.(Fo) +/- 0.5 %	630 MHz	630 MHz	
Tunable Range	630±5 MHz	630±5 MHz	
Insertion Loss	Typ. 2.0 dB	1.04 dB	
-3 dB Bandwidth	Typ. 45 MHz	48.3 MHz	
Sensitivity (Attenuation)	Fo - 120 MHz	Typ. 31 dBc	34 dBc
	Fo + 120 MHz	Typ. 20 dBc	23 dBc
	Fo - ()MHz	Typ. dBc	dBc
	Fo + ()MHz	Typ. dBc	dBc
Return Loss	Min. 12 dB	15.5 dB	
Ripple	< 1 dB	dB	
Impedance	In / Out : 50 Ω	In / Out : 50 Ω	

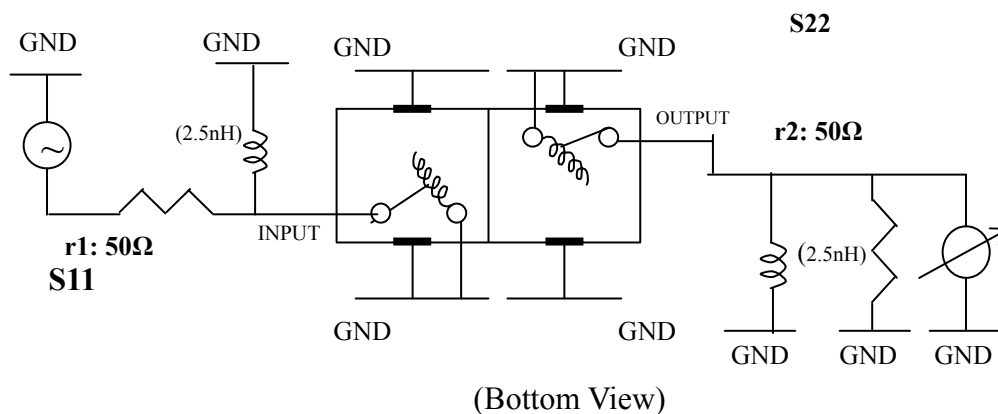
(4) Torque for Tuning Screw > 100gf · cm

(5) Temperature Condition:

Operating Temperature	0°C ~ +60°C
Storage Temperature	-20°C ~ +70°C

(6) Input Power > 1Watt

(7) Measuring Circuit: ※Easy to match Impedance 50Ω by parallel with about (2.5) nH/(.2.5)nH



Approval	Supervisor	Designer	Aperture size
C.Y. Chang	C.S. Chang	W.W. Wang	7H2(4*5.5)(5.65)F 7H046RB5.5

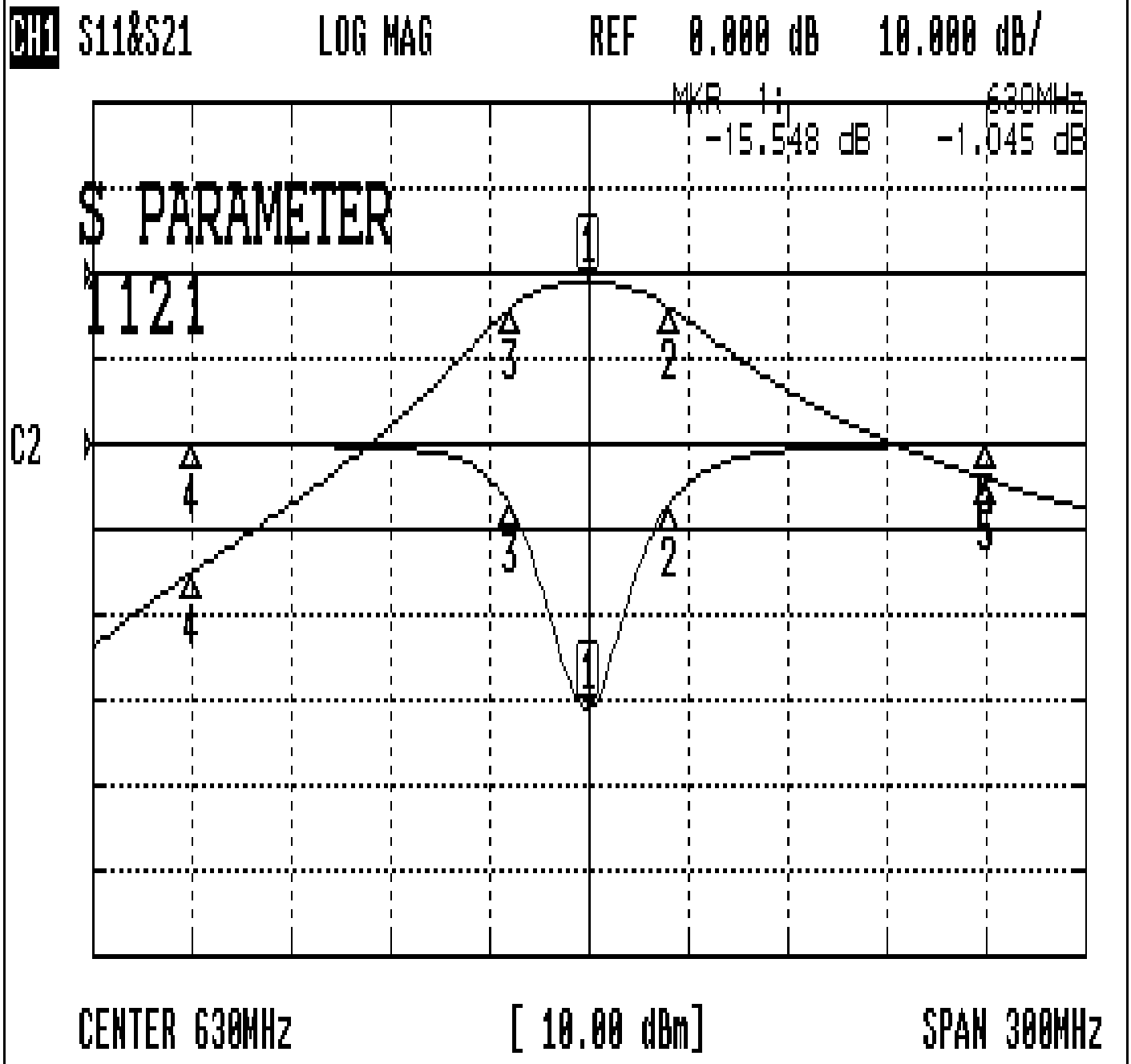
TEMWELL CORPORATION

TEMWELL

Form10-7H2B Vision D

Performance-TD67823B-630M

20508071DC



CH1 MARKER LIST

1:	630.000MHz	-15.548 dB	-1.045 dB
2:	654.500MHz	-3.474 dB	-4.085 dB
3:	606.250MHz	-3.593 dB	-4.052 dB
4:	510.000MHz	-0.073 dB	-35.058 dB
5:	750.000MHz	-0.053 dB	-24.086 dB