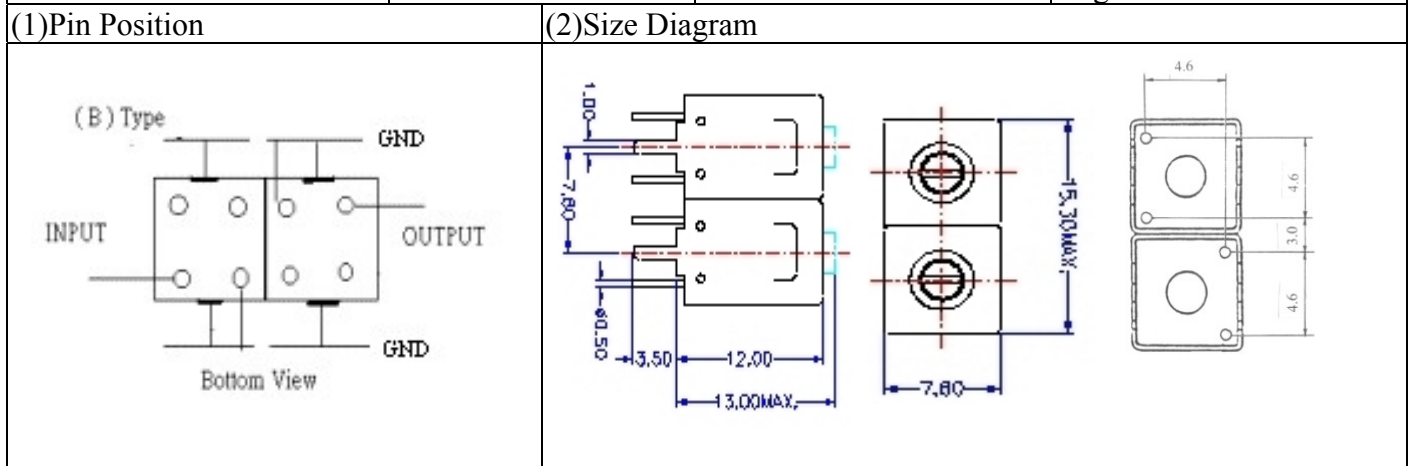


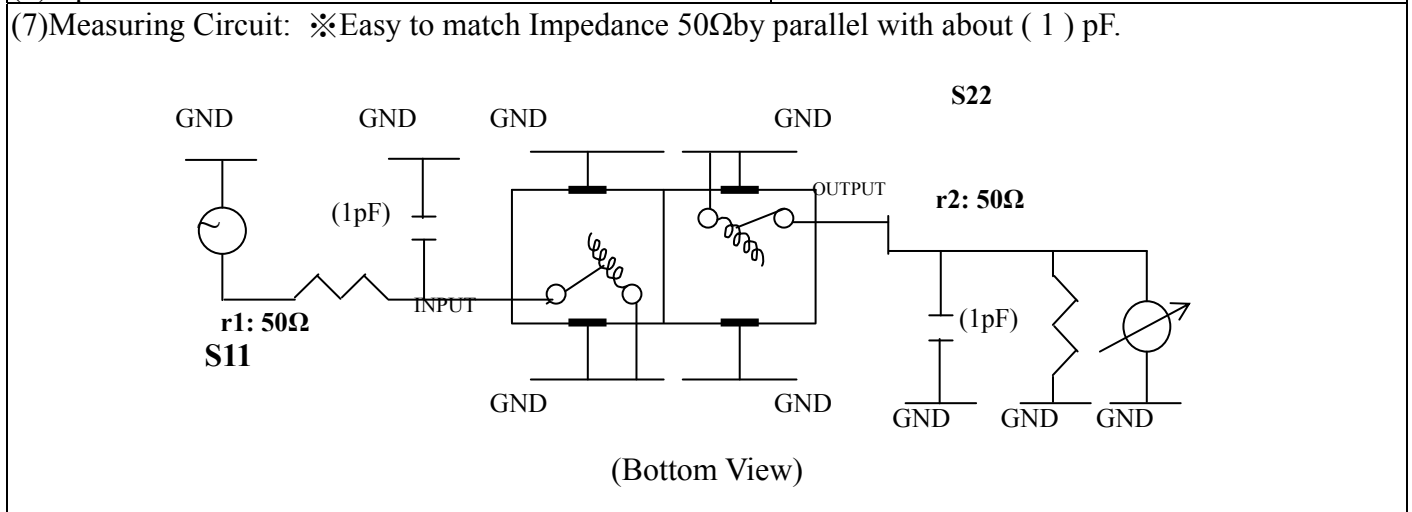
# VHF UHF Helical Filter Specification Sheet

Customer Name		Temwell's Part No.	TD67822B-585M
Approval No. /dated	20508070APR	Acceptable Specify Fo Range	556~595 MHz
Work Instruction No.	20508070DC	Date	Aug.21.2006



(3) Electric Character			
Item	Specify	Performance	
Center Freq.(Fo) +/- 0.5 %	585 MHz	585 MHz	
Tunable Range	585±3 MHz	585±3 MHz	
Insertion Loss	Typ. 2.0 dB	0.96 dB	
-3 dB Bandwidth	Typ. 40 MHz	47.2 MHz	
Sensitivity (Attenuation)	Fo - 100 MHz	Typ. 30 dBc	33 dBc
	Fo + 100 MHz	Typ. 20 dBc	23 dBc
	Fo - ( )MHz	Typ. dBc	dBc
	Fo +( )MHz	Typ. dBc	dBc
Return Loss	Min. 12 dB	16.7 dB	
Ripple	< 1 dB	dB	
Impedance	In / Out : 50 Ω	In / Out : 50 Ω	

(4) Torque for Tuning Screw		> 100gf · cm
(5) Temperature Condition:		
Operating Temperature	0°C ~ +60°C	
Storage Temperature	-20°C ~ +70°C	
(6) Input Power	> 1 Watt	



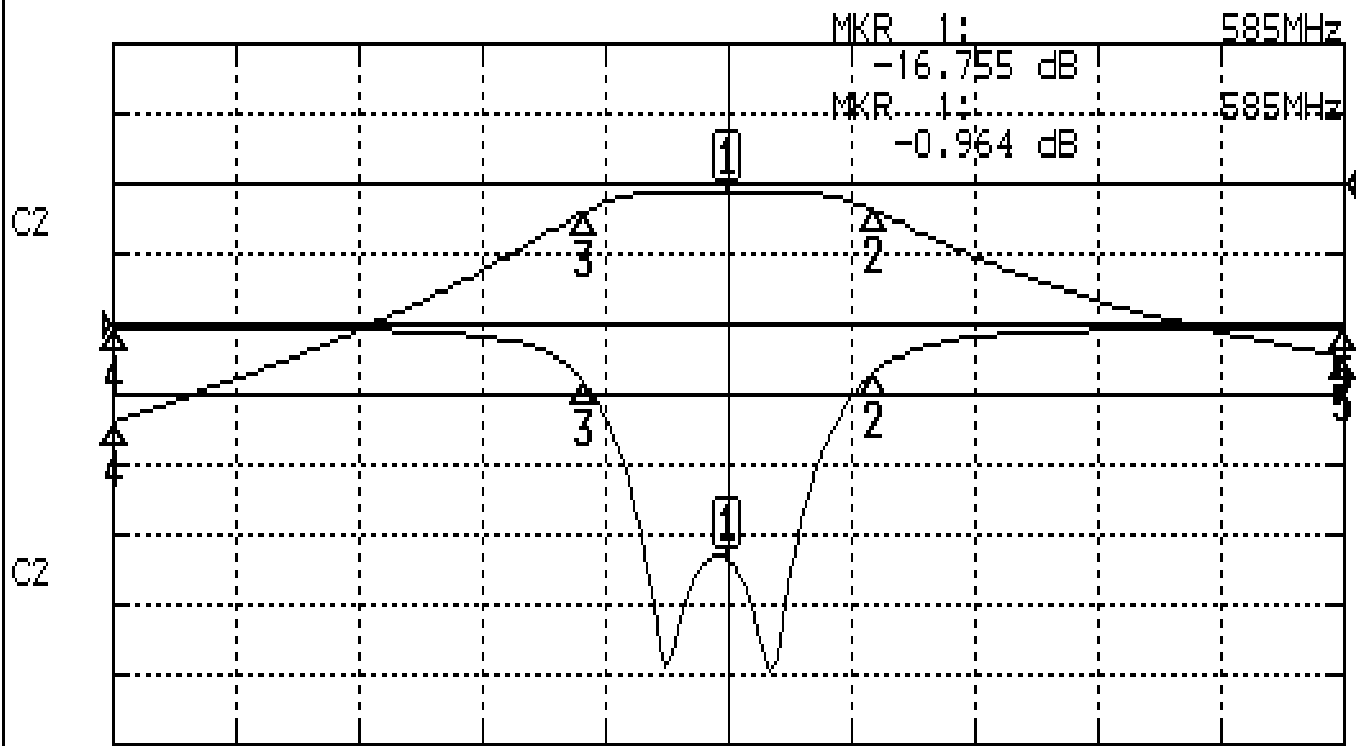
Approval	Supervisor	Designer	Aperture size
C.Y.Chang	C.S.Chang	W.W.Wang	7H2( 4*5.5)F 7H046RB5.5

TEMWELL CORPORATION

# Performance-TD67822B-585M

## 20508070DC

CH1 S11 LOG MAG REF 0.000 dB 5.000 dB/  
CH2 S21 LOG MAG REF 0.000 dB 10.000 dB/



CENTER 585MHz

[ 10.00 dBm ]

SPAN 200MHz

### CH1 MARKER LIST

Marker	Frequency (MHz)	Value (dB)
1	585.000	-16.755
2	608.000	-3.430
3	576.000	-4.112
4	488.500	-0.273
5	688.500	-0.309

### CH2 MARKER LIST

Marker	Frequency (MHz)	Value (dB)
1	585.000	-0.964
2	608.000	-3.893
3	576.000	-3.977
4	488.500	-24.009
5	688.500	-24.601