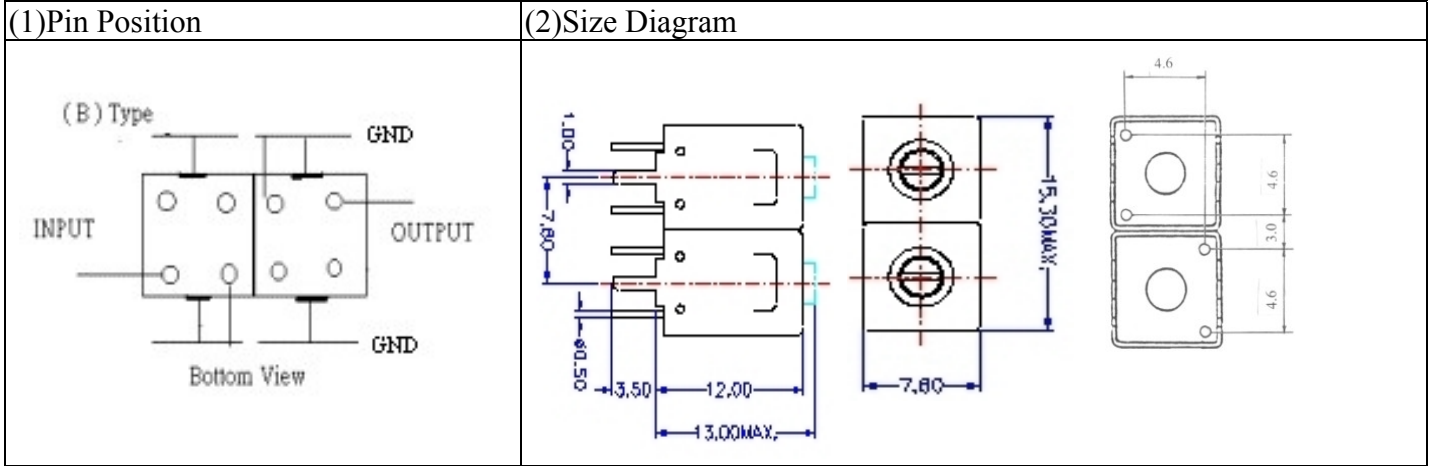


VHF UHF Helical Filter Specification Sheet

Customer Name		Temwell's Part No.	TD67820B-585M
Approval No. /dated	20508068APR	Acceptable Specify Fo. Range	556~595MHz
Work Instruction No.	20508068DC	Date	Sep.05.2005



(3) Electric Character

Item	Specify	Performance	
Center Freq.(Fo) +/- 0.5 %	585 MHz	585 MHz	
Tunable Range	585±5 MHz	585±5 MHz	
Insertion Loss	Typ. 2.0 dB	0.96 dB	
-3 dB Bandwidth	Typ. 30 MHz	35.8 MHz	
Sensitivity (Attenuation)	Fo - 100 MHz	Typ. 36 dBc	39 dBc
	Fo + 100 MHz	Typ. 20 dBc	23 dBc
	Fo - ()MHz	Typ. dBc	dBc
	Fo + ()MHz	Typ. dBc	dBc
Return Loss	Min. 12 dB	18.1 dB	
Ripple	< 1 dB	dB	
Impedance	In / Out : 50 Ω	In / Out : 50 Ω	

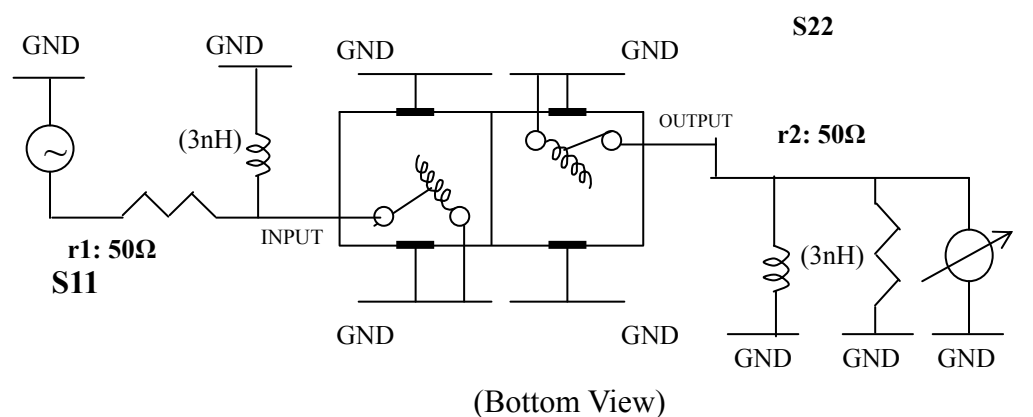
(4) Torque for Tuning Screw > 100gf · cm

(5) Temperature Condition:

Operating Temperature	0°C ~ +60°C
Storage Temperature	-20°C ~ +70°C

(6) Input Power > 1 Watt

(7) Measuring Circuit: ※Easy to match Impedance 50Ω by parallel with about (3) nH / .(3)nH

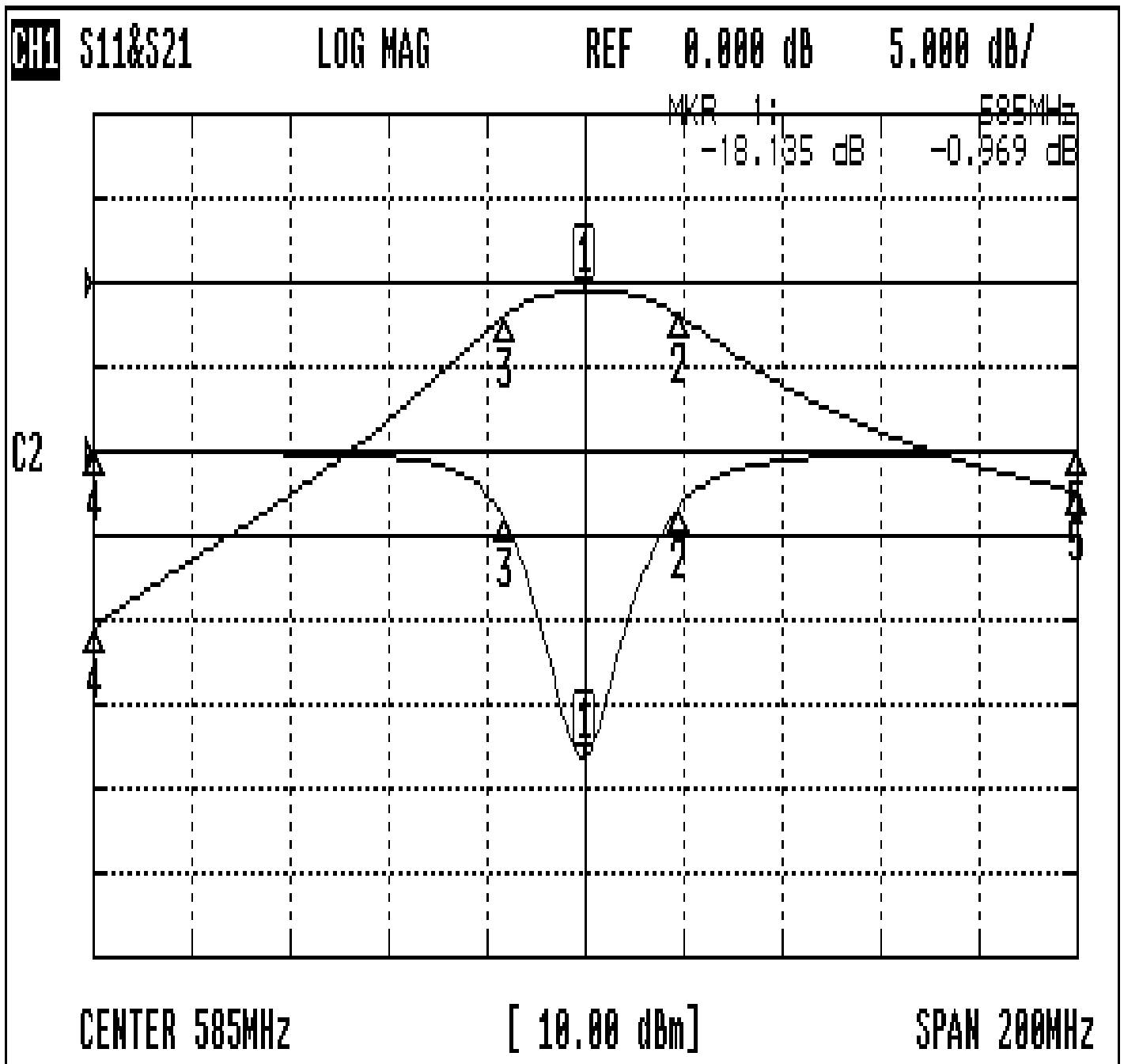


Approval	Supervisor	Designer	Aperture size
C.Y. Chang	C.S. Chang	C.S. Chang	7H2S(4*8.0) 7H046RB4

TEMWELL CORPORATION

Performance-TD67820B-585M

20508068DC



CH1 MARKER LIST

1:	585.000MHz	-18.135 dB	-0.969 dB
2:	604.333MHz	-3.255 dB	-3.981 dB
3:	568.500MHz	-4.000 dB	-3.956 dB
4:	485.000MHz	-0.094 dB	-40.876 dB
5:	685.000MHz	-0.097 dB	-24.813 dB