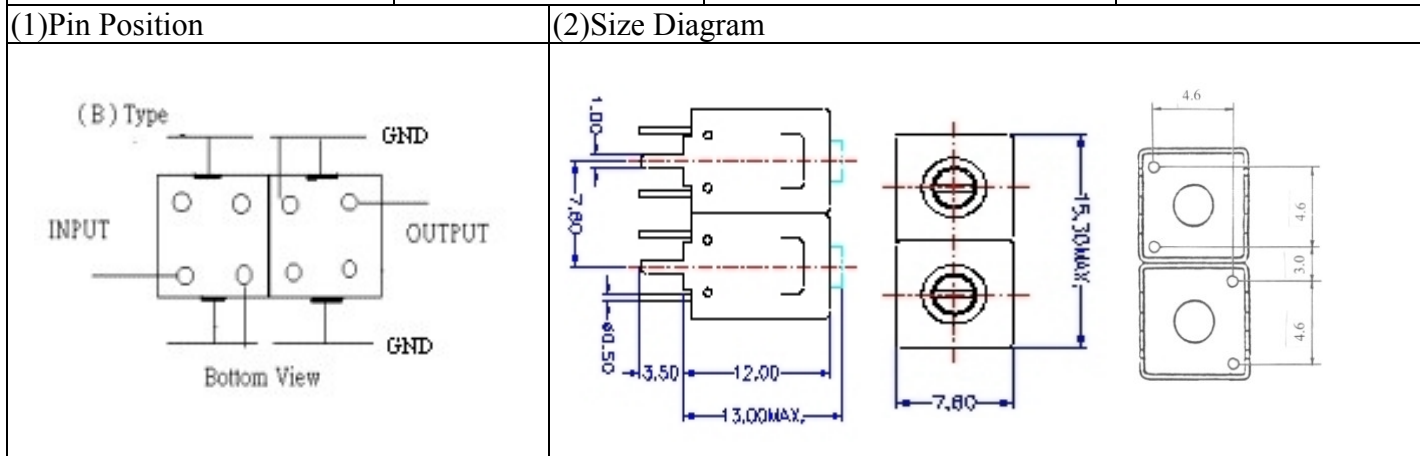


VHF UHF Helical Filter Specification Sheet

Customer Name		Temwell's Part No.	TD67819B-630M
Approval No. /dated	20508067APR	Temwell's print name.	67819B 630M
Work Instruction No.	20508067DC	Date	Sec.12.2005



(3) Electric Character

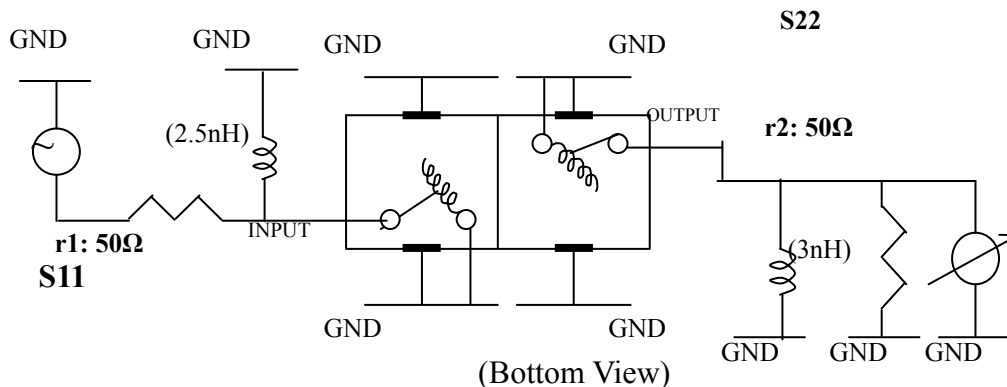
Item	Specify	Performance	
Center Freq.(Fo) +/- 0.5 %	630 MHz	630 MHz	
Tunable Range	630±5 MHz	630±5 MHz	
Insertion Loss	Typ. 2.0 dB	1.35 dB	
-3 dB Bandwidth	Typ. 25 MHz	27.9 MHz	
Sensitivity (Attenuation)	Fo - 100 MHz	Typ. 45 dBc	48 dBc
	Fo + 100 MHz	Typ. 26 dBc	28 dBc
	Fo - ()MHz	Typ. dBc	dBc
	Fo + ()MHz	Typ. dBc	dBc
Return Loss	Min. 12 dB	16.5 dB	
Ripple	< 1 dB	dB	
Impedance	In / Out : 50 Ω	In / Out : 50 Ω	
(4) Torque for Tuning Screw	> 100gf · cm		

(5) Temperature Condition:

Operating Temperature	0°C ~ +60°C
Storage Temperature	-20°C ~ +70°C

(6) Input Power > 1Watt

(7) Measuring Circuit: ※Easy to match Impedance S11/S22 50Ω/ by parallel with about(2.5nH) / (3nH).



Approval	Supervisor	Designer	Aperture size
C.Y.Chang	C.S.Chang	W.W.Wang	7H2S(4*6.5)(6.5)F 7H046RB4

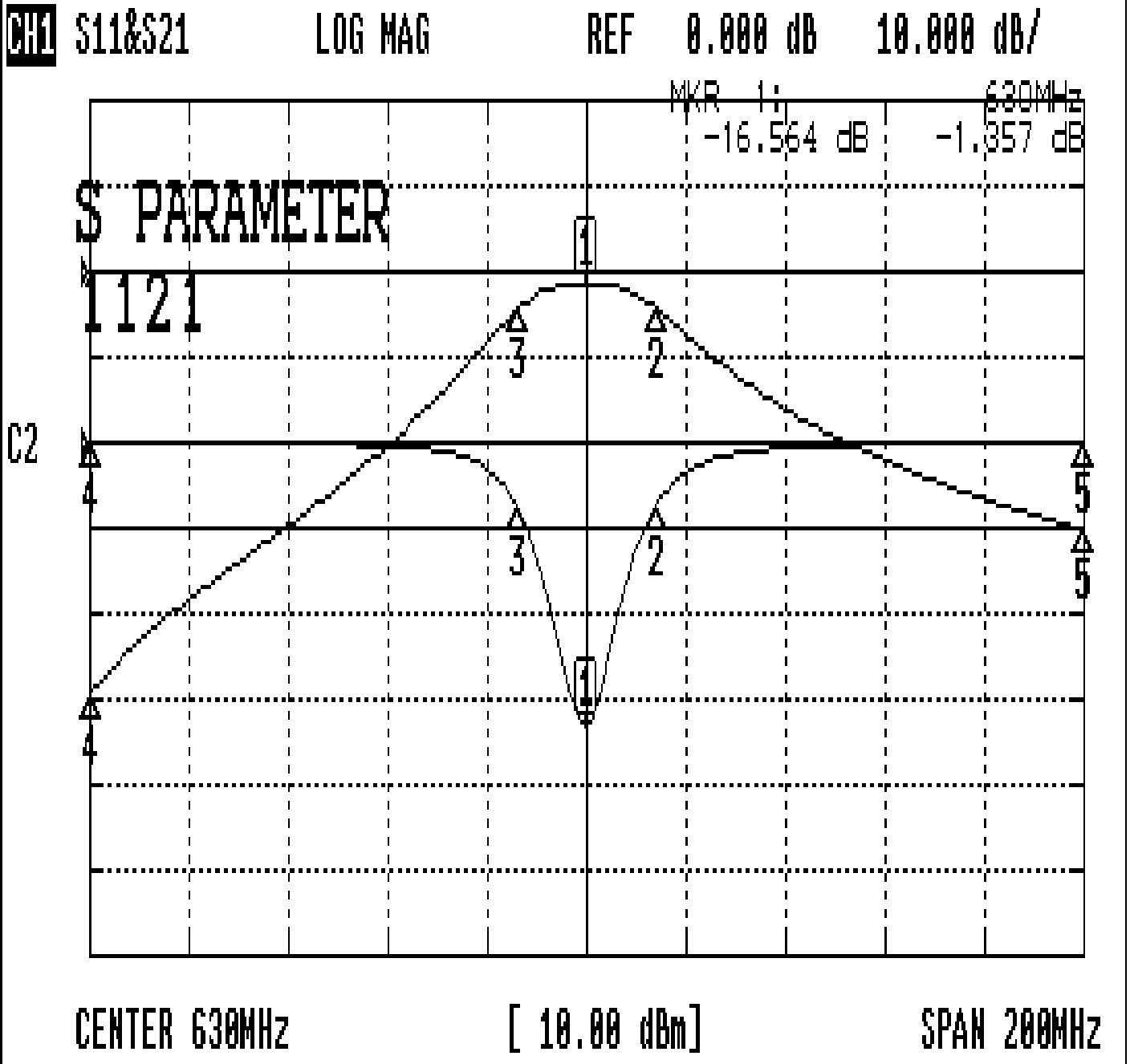
TEMWELL CORPORATION

TEMWELL

Form10-7H3B Vision D

Performance-TD67819B-630M

20508067DC



CH1 MARKER LIST

1:	630.000MHz	-16.545 dB	-1.353 dB
2:	644.000MHz	-3.720 dB	-4.318 dB
3:	616.166MHz	-3.790 dB	-4.363 dB
4:	530.000MHz	-0.049 dB	-49.533 dB
5:	730.000MHz	-0.017 dB	-30.247 dB