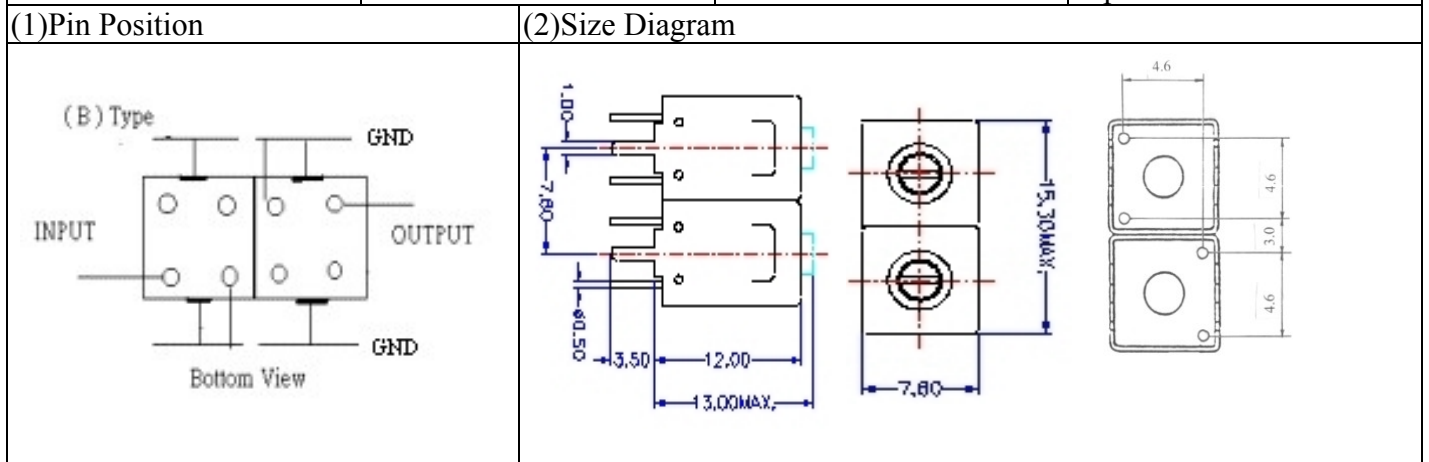


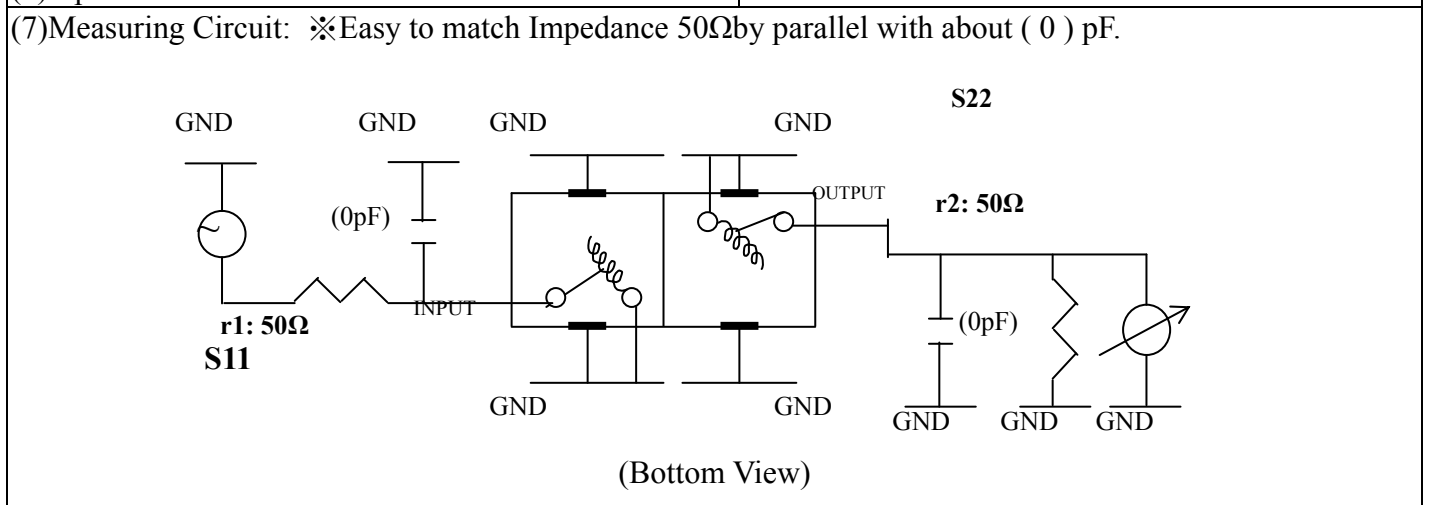
VHF UHF Helical Filter Specification Sheet

Customer Name		Temwell's Part No.	TD67814B-775M
Approval No. /dated	20507194APR	Temwell's Print Name	67814BB 775M
Work Instruction No.	20507194DC	Date	Sep.10.2005



(3) Electric Character					
Item		Specify		Performance	
Center Freq.(Fo) +/- 0.5 %		775	MHz	775	MHz
Tunable Range		775±3	MHz	775±3	MHz
Insertion Loss		Typ. 2.0	dB	1.08	dB
-3 dB Bandwidth		Typ. 45	MHz	48.0	MHz
Sensitivity (Attenuation)	Fo - 120 MHz	Typ. 28	dBc	31	dBc
	Fo + 120 MHz	Typ. 20	dBc	23	dBc
	Fo - ()MHz	Typ.	dBc		dBc
	Fo + ()MHz	Typ.	dBc		dBc
Return Loss		Min. 12	dB	35.3	dB
Ripple		< 1	dB		dB
Impedance		In / Out : 50 Ω		In / Out : 50 Ω	
(4) Torque for Tuning Screw		> 100gf · cm			

(5) Temperature Condition:	
Operating Temperature	0°C ~ +60°C
Storage Temperature	-20°C ~ +70°C
(6) Input Power	> 1Watt

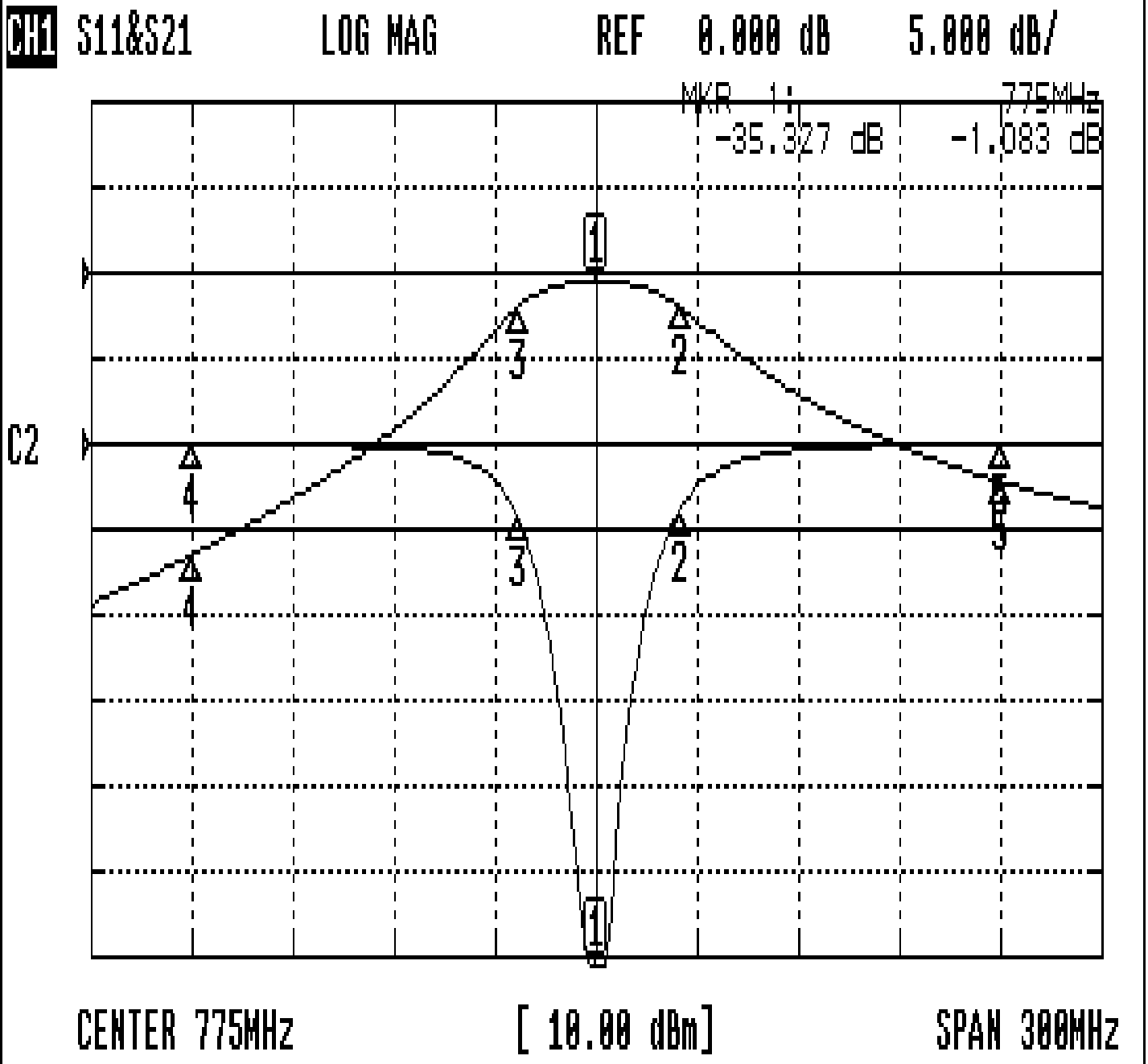


Approval	Supervisor	Designer	Aperture size
C.Y. Chang	C.S. Chang	W.W. Wang	7H2,(4*5.5)(5.63)F 7H046RB5.5

TEMWELL CORPORATION

Performance-TD67814B-775M

20507194DC



CH1 MARKER LIST

1:	775.000MHz	-35.327 dB	-1.083 dB
2:	799.750MHz	-3.936 dB	-4.028 dB
3:	751.750MHz	-4.229 dB	-4.065 dB
4:	655.000MHz	-0.046 dB	-32.933 dB
5:	895.000MHz	-0.015 dB	-24.391 dB