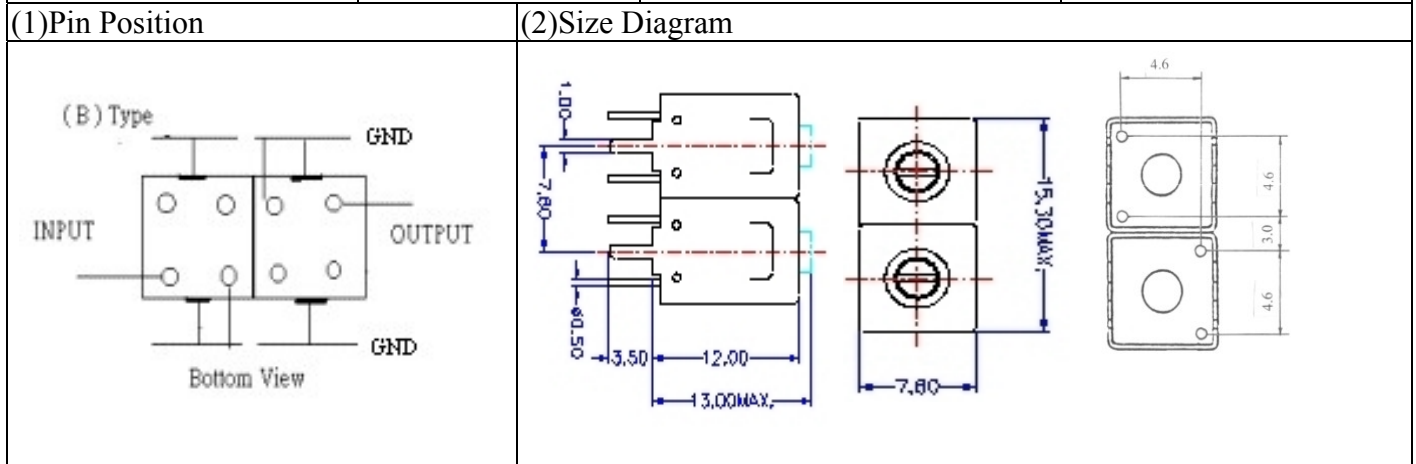


VHF UHF Helical Filter Specification Sheet

Customer Name		Temwell's Part No.	TD67813B-535M
Approval No. /dated	20507181APR	Acceptable Specify Fo. Range	516~555MHz
Work Instruction No.	20507181DC	Date	Aug.12.2005



(3) Electric Character

Item	Specify	Performance	
Center Freq.(Fo) +/- 0.5 %	535 MHz	535 MHz	
Tunable Range	535±3 MHz	535±3 MHz	
Insertion Loss	Typ. 2.0 dB	0.78 dB	
-3 dB Bandwidth	Typ. 45 MHz	47.5 MHz	
Sensitivity (Attenuation)	Fo - 100 MHz	Typ. 29 dBc	32 dBc
	Fo + 100 MHz	Typ. 18 dBc	21 dBc
	Fo - ()MHz	Typ. dBc	dBc
	Fo +()MHz	Typ. dBc	dBc
Return Loss	Min. 12 dB	27.4 dB	
Ripple	< 1 dB	dB	
Impedance	In / Out : 50 Ω	In / Out : 50 Ω	

(4) Torque for Tuning Screw

(4) Torque for Tuning Screw	> 100gf · cm
-----------------------------	--------------

(5) Temperature Condition:

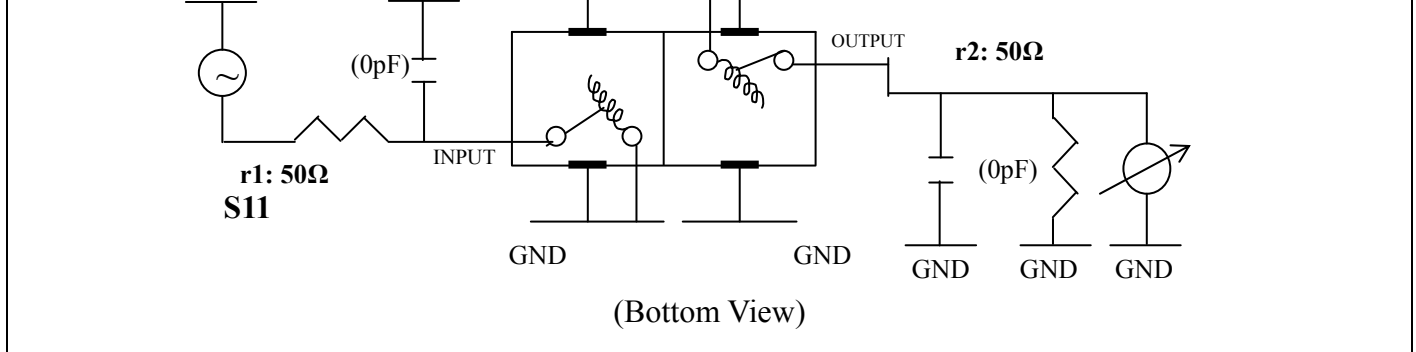
Operating Temperature	0°C ~ +60°C
-----------------------	-------------

Storage Temperature	-20°C ~ +70°C
---------------------	---------------

(6) Input Power

(6) Input Power	> 1Watt
-----------------	---------

(7) Measuring Circuit: ※Easy to match Impedance 50Ω/ by parallel with about (0) pF.

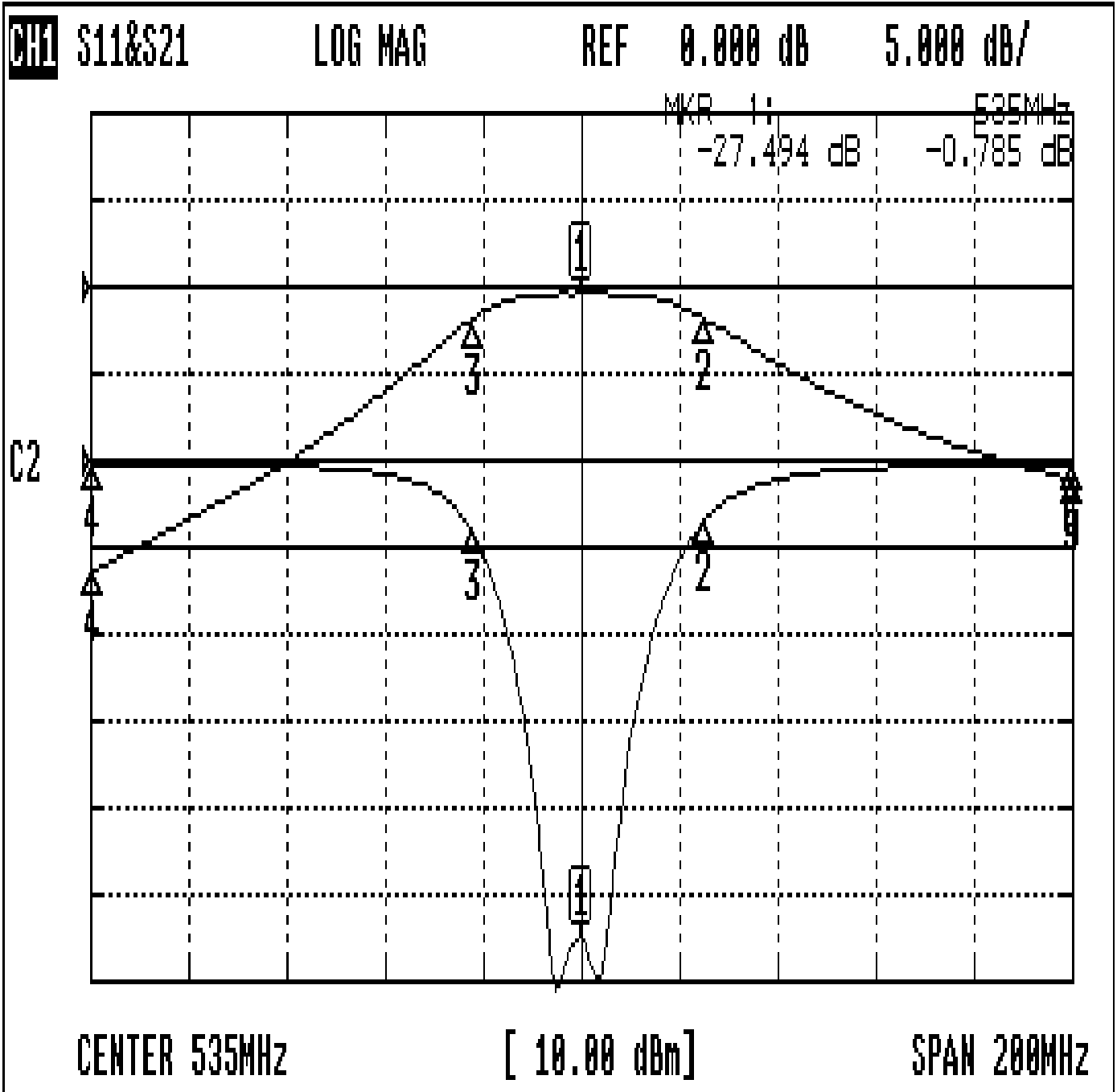


Approval	Supervisor	Designer	Aperture size
C.Y. Chang	C.S. Chang	W.W. Wang	7H2S(4*5.5) 7H046RB5.5

TEMWELL CORPORATION

Performance-TD67813B-535M

20507181DC



CH1 MARKER LIST

1:	535.000MHz	-27.494 dB	-0.785 dB
2:	560.166MHz	-3.481 dB	-3.700 dB
3:	512.666MHz	-4.072 dB	-3.760 dB
4:	435.000MHz	-0.196 dB	-32.803 dB
5:	635.000MHz	-0.239 dB	-22.210 dB