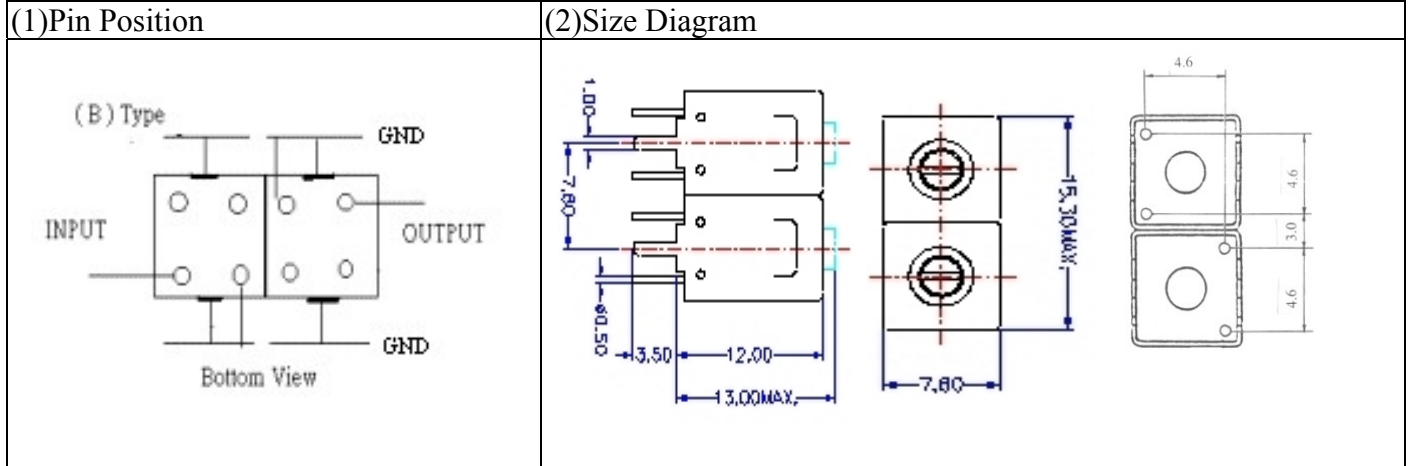


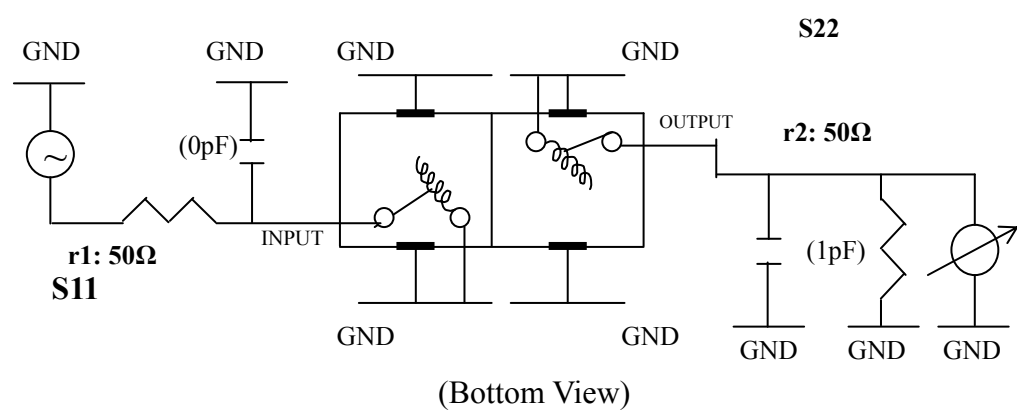
VHF UHF Helical Filter Specification Sheet

Customer Name		Temwell's Part No.	TD67777B-1275M
Approval No. /dated	20507145APR	Temwell's PrintName	
Work Instruction No.	20507145DC	Date	Sep.02.2005



(3) Electric Character					
Item		Specify		Performance	
Center Freq.(Fo) +/- 0.5 %		1275 MHz		1275 MHz	
Tunable Range		1275±5 MHz		1275±5 MHz	
Insertion Loss		Typ. 2.5 dB		1.43 dB	
-3 dB Bandwidth		Typ. 45 MHz		52.8 MHz	
Sensitivity (Attenuation)	Fo - 100 MHz	Typ. 22 dBc		25 dBc	
	Fo + 100 MHz	Typ. 17 dBc		20 dBc	
	Fo - ()MHz	Typ. dBc		dBc	
	Fo +()MHz	Typ. dBc		dBc	
Return Loss		Min. 12 dB		35.1 dB	
Ripple		< 1 dB		dB	
Impedance		In / Out : 50 Ω		In / Out : 50 Ω	
(4) Torque for Tuning Screw				> 100gf · cm	
(5) Temperature Condition:					
Operating Temperature		0°C ~ +60°C			
Storage Temperature		-20°C ~ +70°C			
(6) Input Power		> 1Watt			

(7) Measuring Circuit: ※Easy to match Impedance 50Ω by parallel with about (0-1) pF.

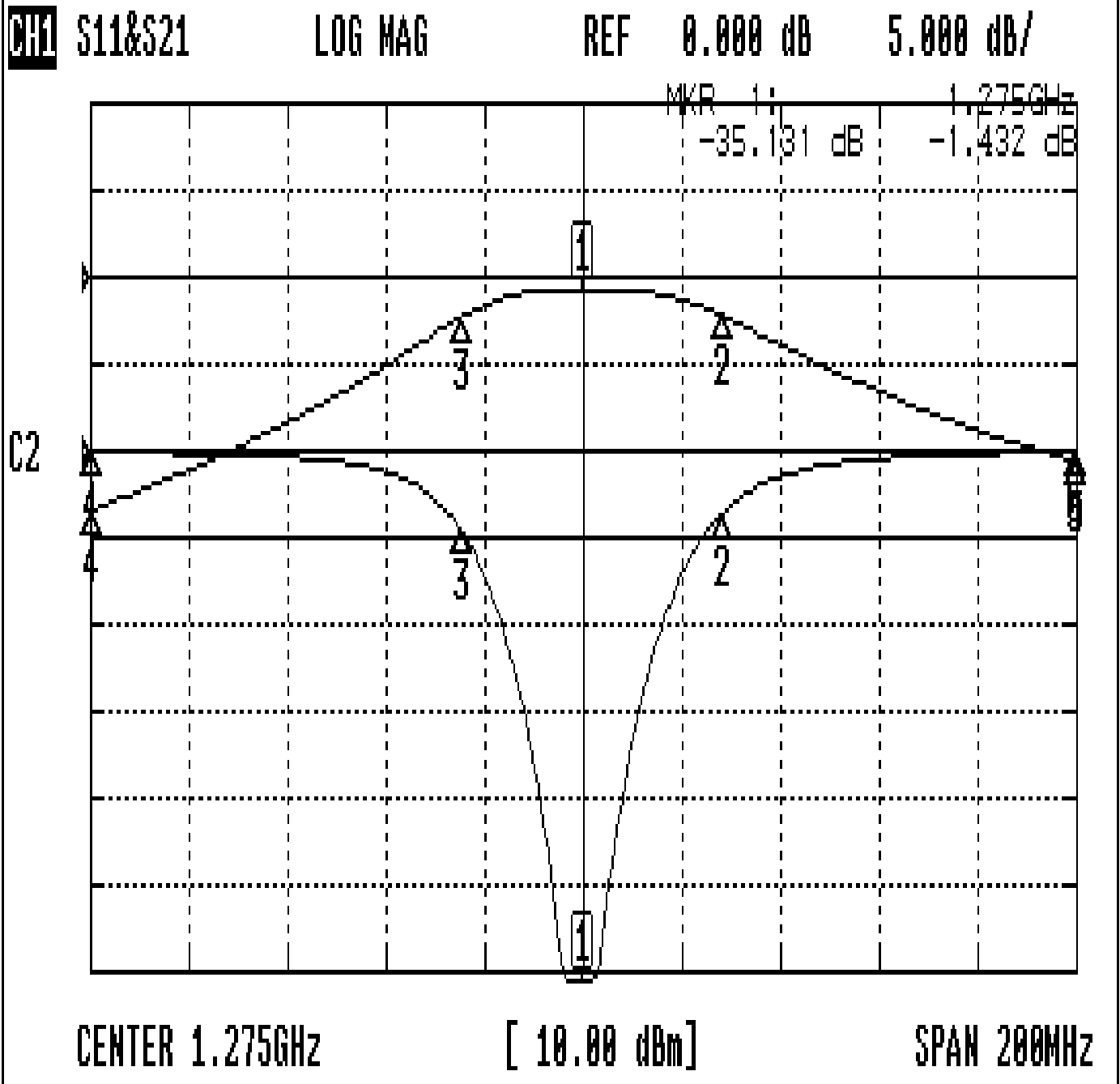


Approval	Supervisor	Designer	Aperture size
C.Y.Chang	C.S.Chang	C.S.Chang	7H2S(4*4.65) 7H046RB5.5

TEMWELL CORPORATION

Performance-TD6777B-1275M

20507145DC



CH1 MARKER LIST

1:	1.275 000GHz	-35.131 dB	-1.432 dB
2:	1.303 333GHz	-3.564 dB	-4.403 dB
3:	1.250 500GHz	-4.631 dB	-4.481 dB
4:	1.175 000GHz	-0.078 dB	-26.828 dB
5:	1.375 000GHz	-0.056 dB	-21.271 dB