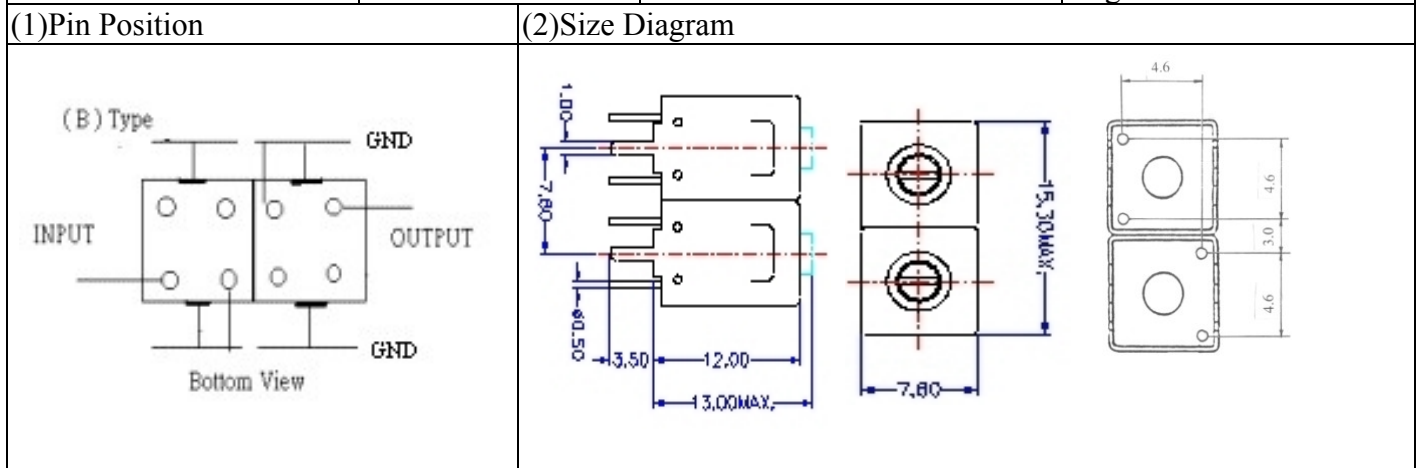
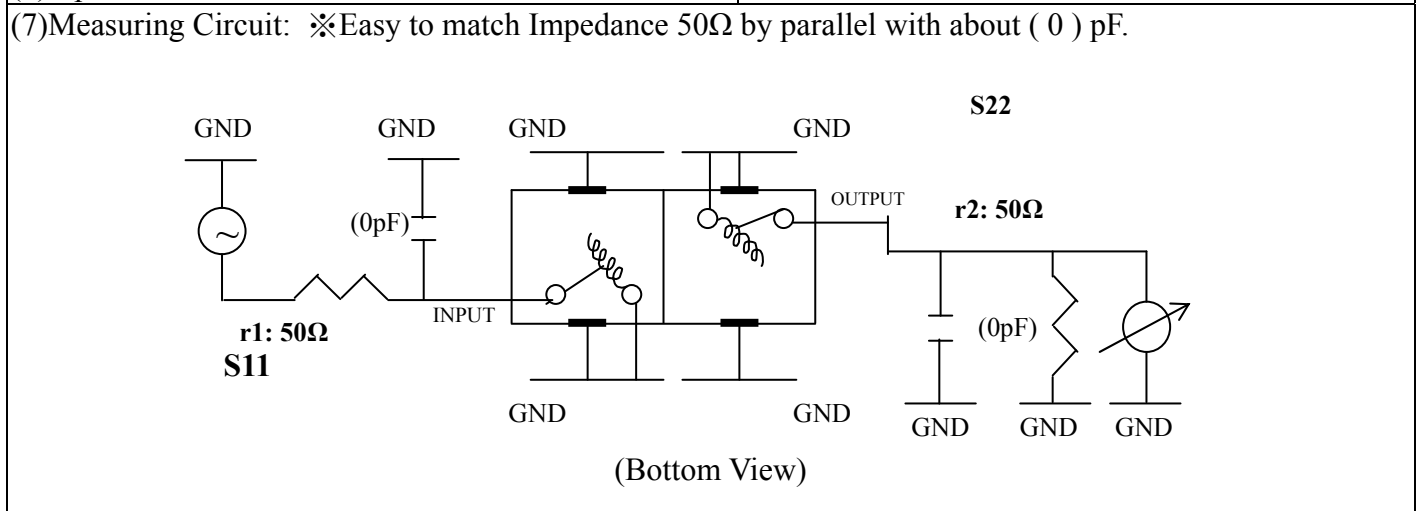


VHF UHF Helical Filter Specification Sheet

Customer Name		Temwell's Part No.	TD67773B-988M
Approval No. /dated	20507141APR	Acceptable Specify Fo. Range	976~1000MHz
Work Instruction No.	20507141DC	Date	Aug.10.2005



(3) Electric Character			
Item		Specify	Performance
Center Freq.(Fo) +/- 0.5 %		988 MHz	988 MHz
Tunable Range		988±5 MHz	988±5 MHz
Insertion Loss		Typ. 2.5 dB	1.52 dB
-3 dB Bandwidth		Typ. 48 MHz	53.2 MHz
Sensitivity (Attenuation)	Fo - 100 MHz	Typ. 21 dBc	24 dBc
	Fo + 100 MHz	Typ. 17 dBc	20 dBc
	Fo - ()MHz	Typ. dBc	dBc
	Fo + ()MHz	Typ. dBc	dBc
Return Loss		Min. 12 dB	27.4 dB
Ripple		< 1 dB	dB
Impedance		In / Out : 50 Ω	In / Out : 50 Ω
(4) Torque for Tuning Screw			
		> 100gf · cm	
(5) Temperature Condition:			
Operating Temperature		0°C ~ +60°C	
Storage Temperature		-20°C ~ +70°C	
(6) Input Power		> 1Watt	

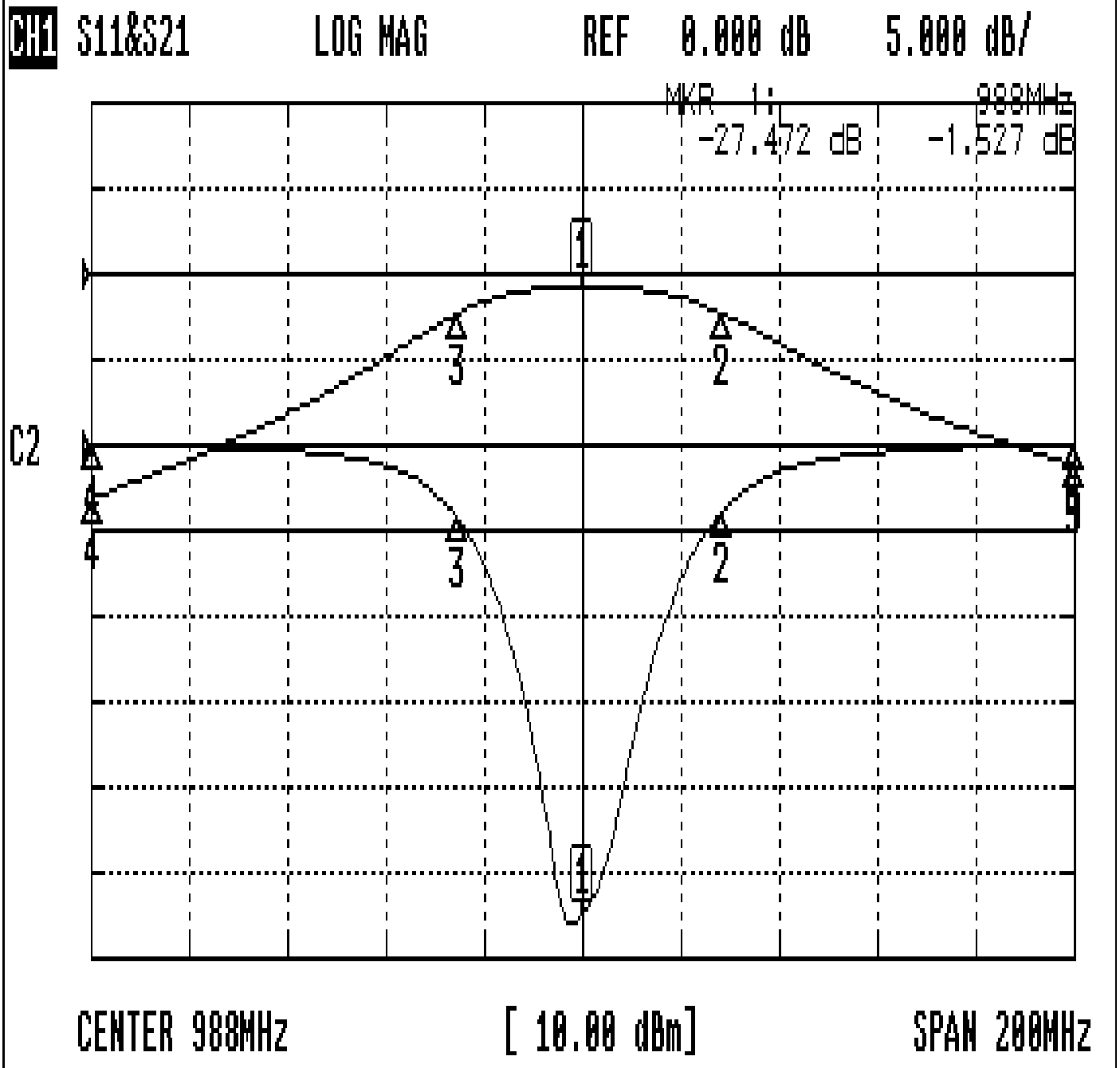


Approval	Supervisor	Designer	Aperture size
C.Y. Chang	C.S. Chang	C.S. Chang	7H2S(4*4.5) 7H046RB5.5

TEMWELL CORPORATION

Performance-TD67773B-988M

20507141DC



CH1 MARKER LIST

1:	988.000MHz	-27.472 dB	-1.529 dB
2:	1.016 000GHz	-4.007 dB	-4.519 dB
3:	962.833MHz	-4.313 dB	-4.542 dB
4:	888.000MHz	-0.031 dB	-26.166 dB
5:	1.088 000GHz	0.016 dB	-22.263 dB