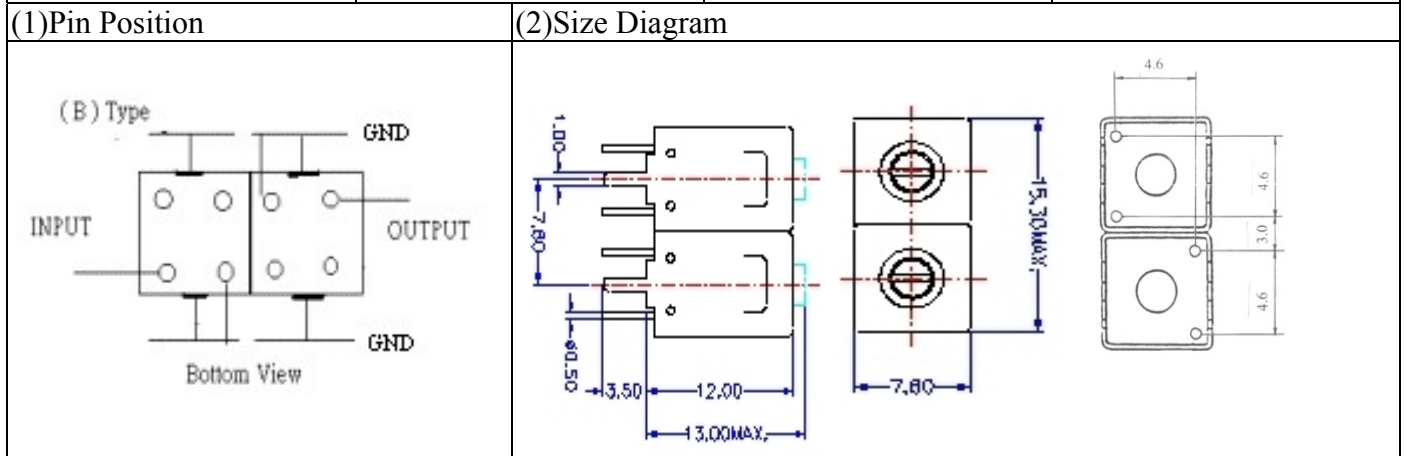


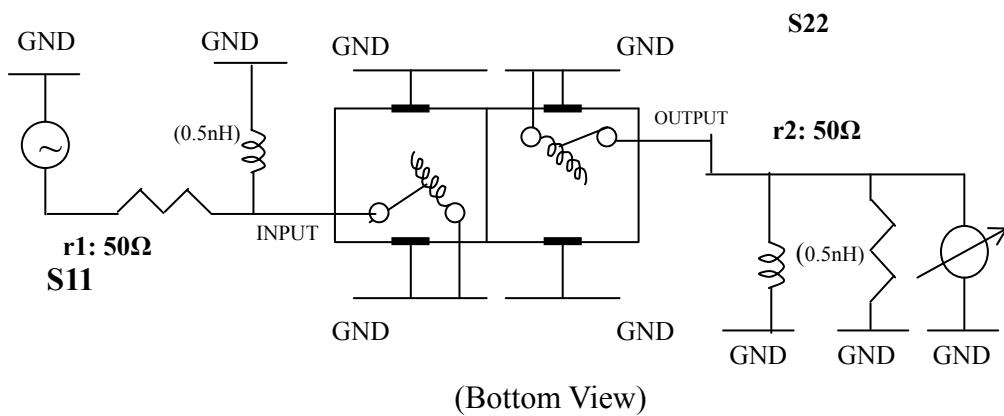
VHF UHF Helical Filter Specification Sheet

Customer Name		Temwell's Part No.	TD67770B-915M
Approval No. /dated	20507138APR	Temwell's print Name	67770B 915M
Work Instruction No.	20507138DC	Date	Sep.05.2005



(3) Electric Character					
Item		Specify		Performance	
Center Freq.(Fo) +/- 0.5 %		915 MHz		915 MHz	
Tunable Range		915±5 MHz		915±5 MHz	
Insertion Loss		Typ.	2.0 dB	1.09 dB	
-3 dB Bandwidth		Typ	44 MHz	49.0 MHz	
Sensitivity (Attenuation)	Fo - 130 MHz	Typ.	28 dBc	31 dBc	
	Fo + 130 MHz	Typ.	21 dBc	24 dBc	
	Fo - ()MHz	Typ.	dBc	dBc	
	Fo +()MHz	Typ.	dBc	dBc	
Return Loss		Min.	12 dB	21.3 dB	
Ripple		< 1 dB		dB	
Impedance		In / Out : 50 Ω		In / Out : 50 Ω	
(4) Torque for Tuning Screw		> 100gf · cm			
(5) Temperature Condition:					
Operating Temperature		0°C ~ +60°C			
Storage Temperature		-20°C ~ +0°C			
(6) Input Power		> 1Watt			

(7) Measuring Circuit: ※Easy to match Impedance 50Ω/ by parallel with about (0.5) nH / .(0.5)nH



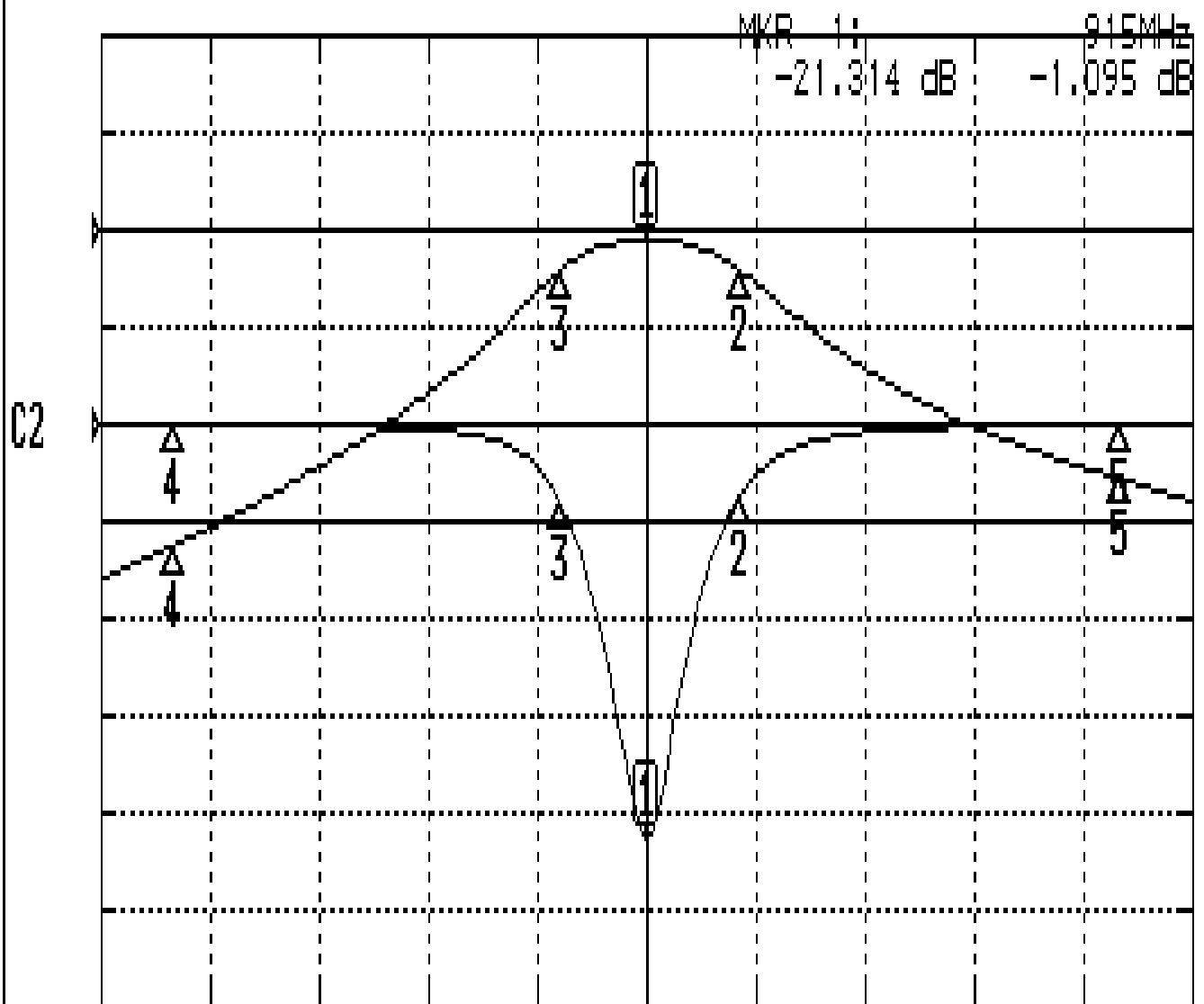
Approval	Supervisor	Designer	Aperture size
C.Y. Chang	C.S. Chang	W.W. Wang	7H2(4*4.65)(4.70)F 7H046LB5.5

TEMWELL CORPORATION

Performance-TD67770B-915M

20507138DC

CH1 S11&S21 LOG MAG REF 0.000 dB 5.000 dB/



CENTER 915MHz

[10.00 dBm]

SPAN 300MHz

CH1 MARKER LIST

1:	915.000MHz	-21.308 dB	-1.096 dB
2:	940.500MHz	-3.727 dB	-4.059 dB
3:	891.500MHz	-4.030 dB	-4.146 dB
4:	785.000MHz	-0.019 dB	-32.475 dB
5:	1.045 000GHz	0.031 dB	-25.620 dB