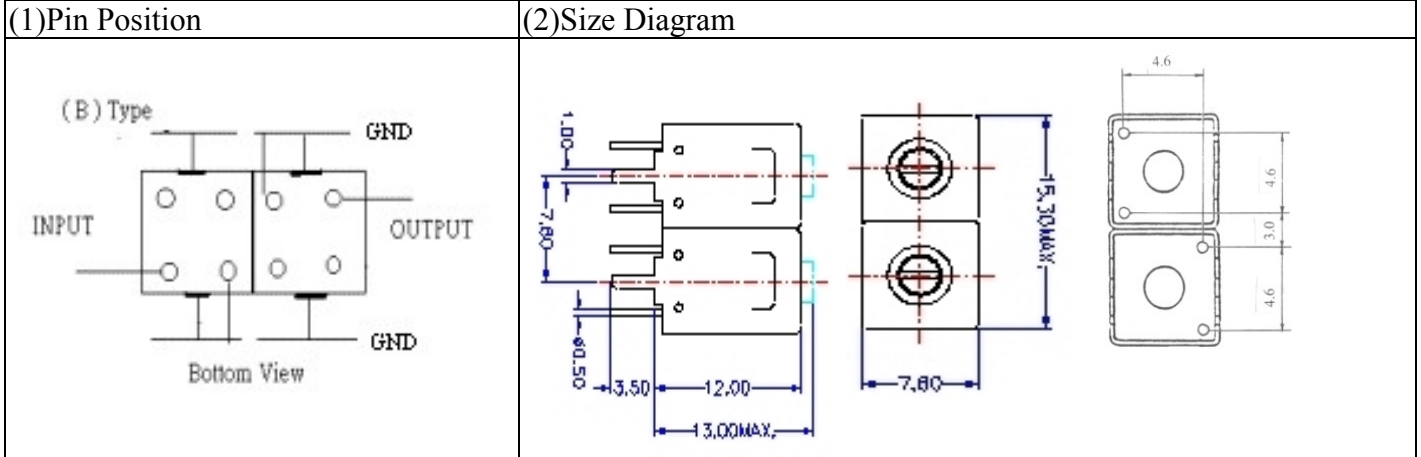


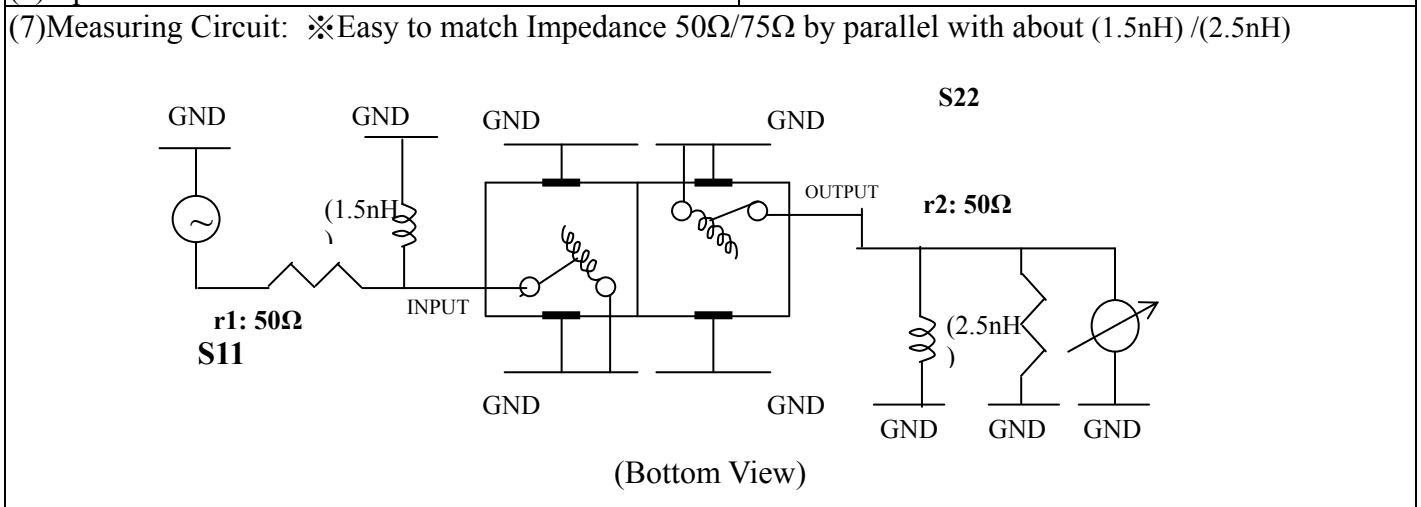
VHF UHF Helical Filter Specification Sheet

Customer Name		Temwell's Part No.	TD67768B-845M
Approval No. /dated	20507136APR	Temwell's print Name	67768B 845M
Work Instruction No.	20507136DC	Date	Aug.12.2005



(3) Electric Character			
Item	Specify		Performance
Center Freq.(Fo) +/- 0.5 %	845	MHz	845 MHz
Tunable Range	845±5	MHz	845±5 MHz
Insertion Loss	Typ. 2.0	dB	1.02 dB
-3 dB Bandwidth	Typ. 43	MHz	48.3 MHz
Sensitivity (Attenuation)	Fo - 100 MHz	Typ. 25	dBc
	Fo + 100 MHz	Typ. 18	dBc
	Fo - ()MHz	Typ.	dBc
	Fo + ()MHz	Typ.	dBc
Return Loss	Min. 12	dB	18 dB
Ripple	< 1	dB	dB
Impedance	In / Out : 50 Ω		In / Out : 50 Ω
(4) Torque for Tuning Screw		> 100gf · cm	

(5) Temperature Condition:	
Operating Temperature	0°C ~ +60°C
Storage Temperature	-20°C ~ +70°C
(6) Input Power	> 1Watt

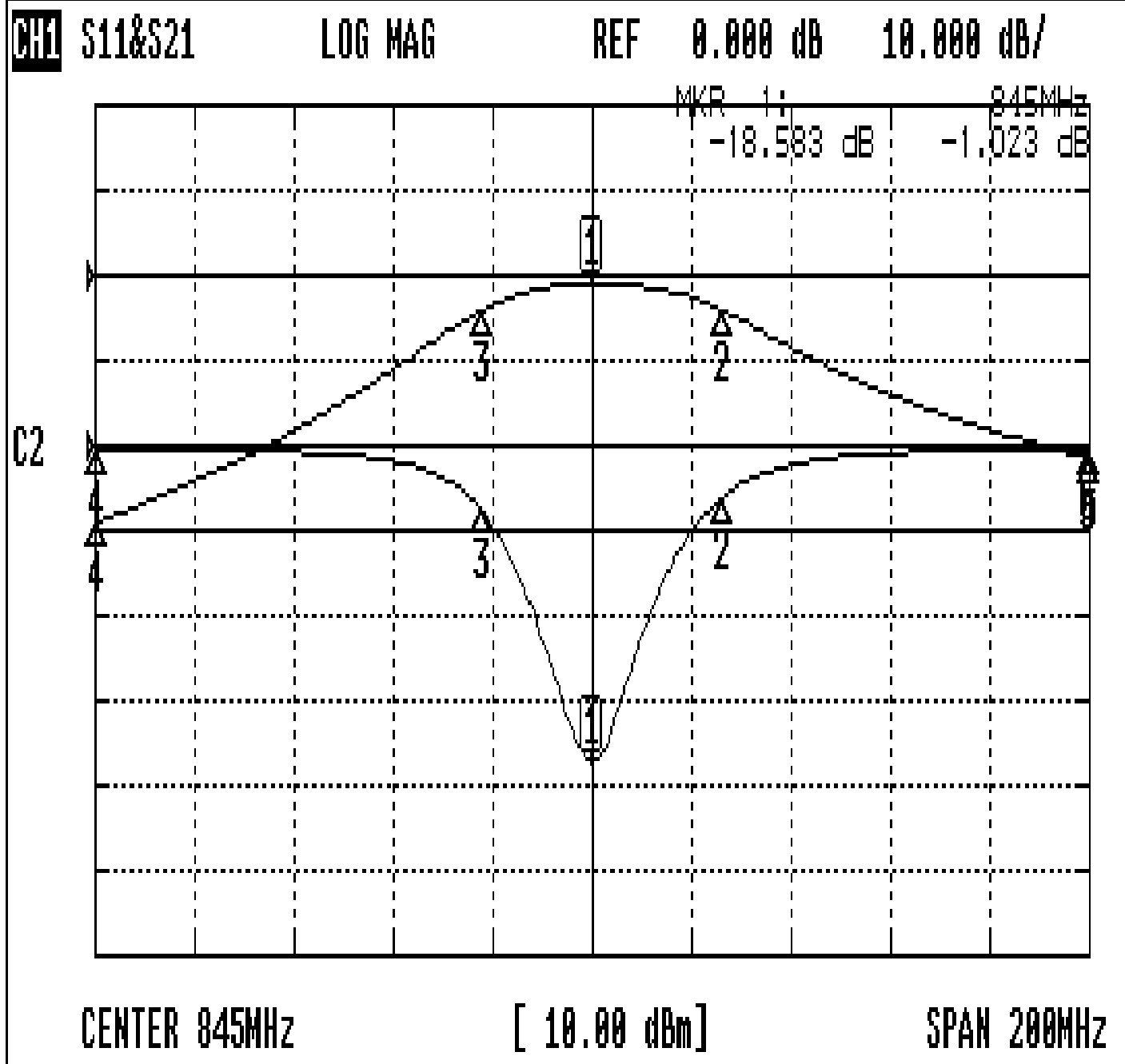


Approval	Supervisor	Designer	Aperture size
C.Y. Chang	C.S. Chang	W.W. Wang	7H2(4*6.5)(6.58)F 7H046RB4

TEMWELL CORPORATION

Performance-TD67768B-845M

20507136DC



CH1 MARKER LIST

1:	845.000MHz	-18.583 dB	-1.023 dB
2:	871.166MHz	-3.009 dB	-4.049 dB
3:	822.833MHz	-3.817 dB	-4.092 dB
4:	745.000MHz	-0.218 dB	-28.991 dB
5:	945.000MHz	-0.212 dB	-21.374 dB