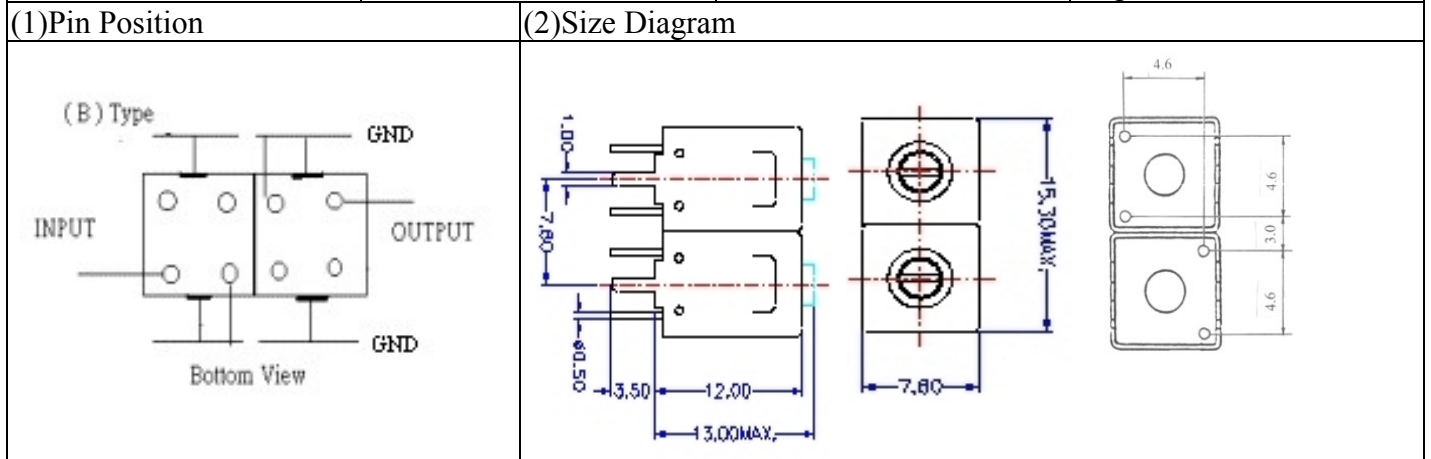
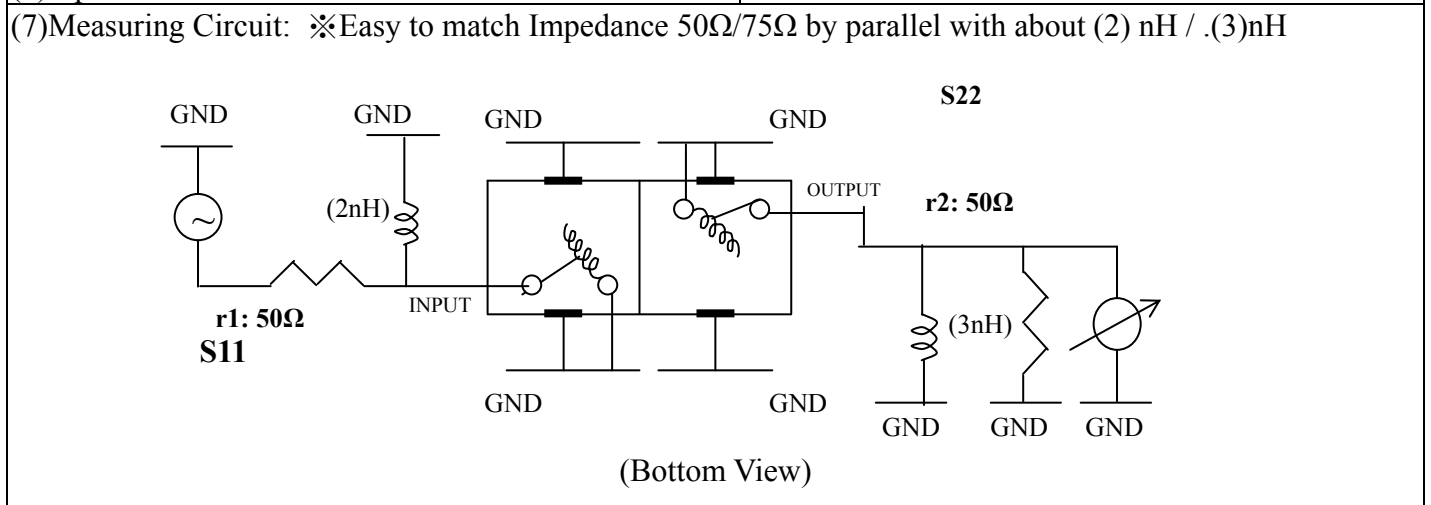


VHF UHF Helical Filter Specification Sheet

Customer Name		Temwell's Part No.	TD67767B-815M
Approval No. /dated	20507135APR	Temwell's print Name	67767B 815M
Work Instruction No.	20507135DC	Date	Aug.12.2005



(3) Electric Character					
Item		Specify		Performance	
Center Freq.(Fo) +/- 0.5 %		815 MHz		815 MHz	
Tunable Range		815±5 MHz		815±5 MHz	
Insertion Loss		Typ. 2.0 dB		1.06 dB	
-3 dB Bandwidth		Typ. 40 MHz		47.2 MHz	
Sensitivity (Attenuation)	Fo - 100 MHz	Typ. 25 dBc		28 dBc	
	Fo + 100 MHz	Typ. 17 dBc		20 dBc	
	Fo - ()MHz	Typ. dBc		dBc	
	Fo + ()MHz	Typ. dBc		dBc	
Return Loss		Min. 12 dB		16.9 dB	
Ripple		< 1 dB		dB	
Impedance		In / Out : 50 Ω		In / Out : 50 Ω	
(4) Torque for Tuning Screw		> 100gf · cm			
(5) Temperature Condition:					
Operating Temperature		0°C ~ +60°C			
Storage Temperature		-20°C ~ +70°C			
(6) Input Power		> 1Watt			

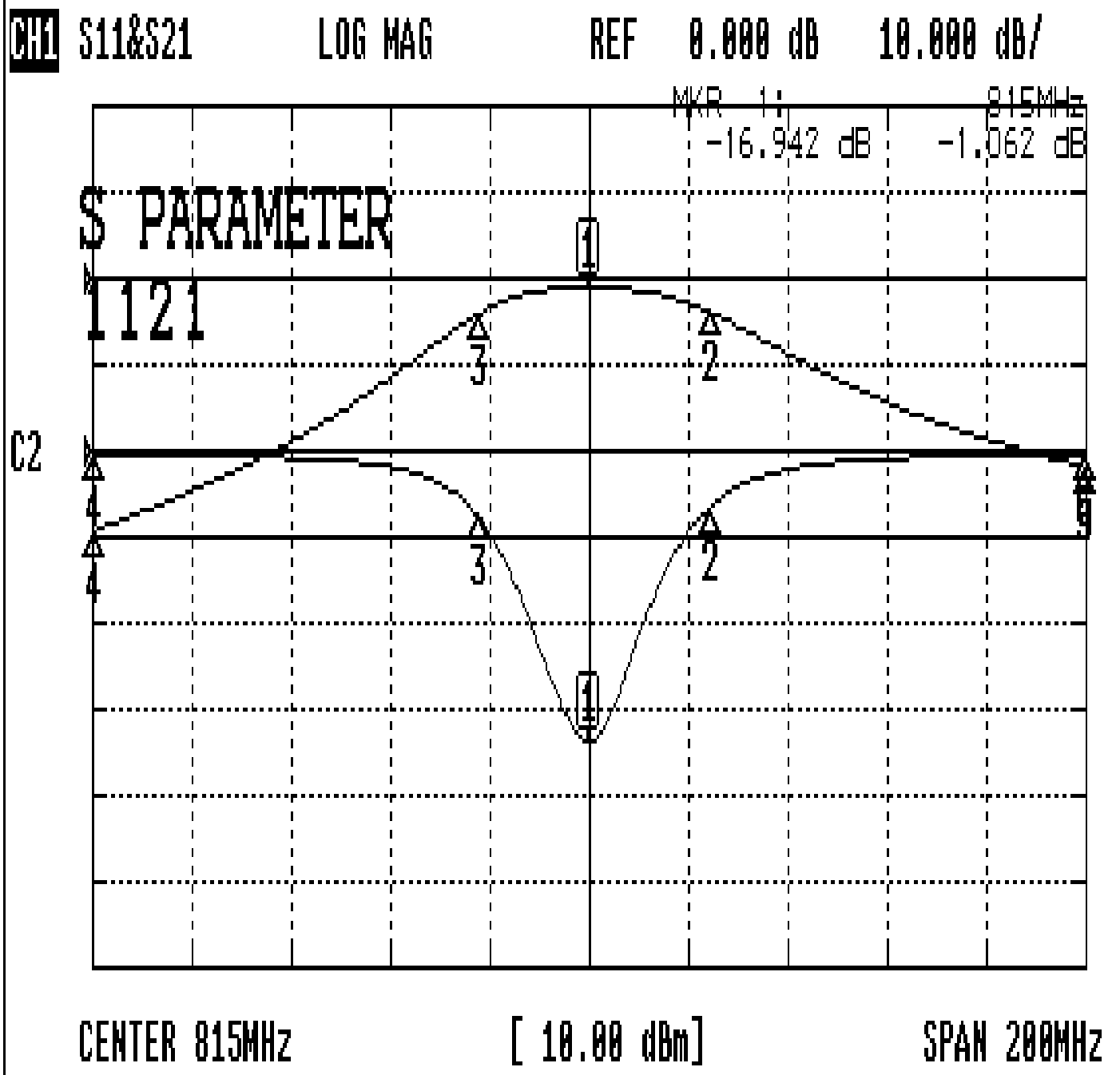


Approval	Supervisor	Designer	Aperture size
C.Y. Chang	C.S. Chang	W.W. Wang	7H2S(4*8.0)(8.07)F 7H046RB4

TEMWELL CORPORATION

Performance-TD67767B-815M

20507135DC



CH1 MARKER LIST

1:	815.000MHz	-16.942 dB	-1.062 dB
2:	839.833MHz	-3.119 dB	-4.077 dB
3:	792.666MHz	-3.817 dB	-4.087 dB
4:	715.000MHz	-0.234 dB	-29.258 dB
5:	915.000MHz	-0.262 dB	-21.845 dB