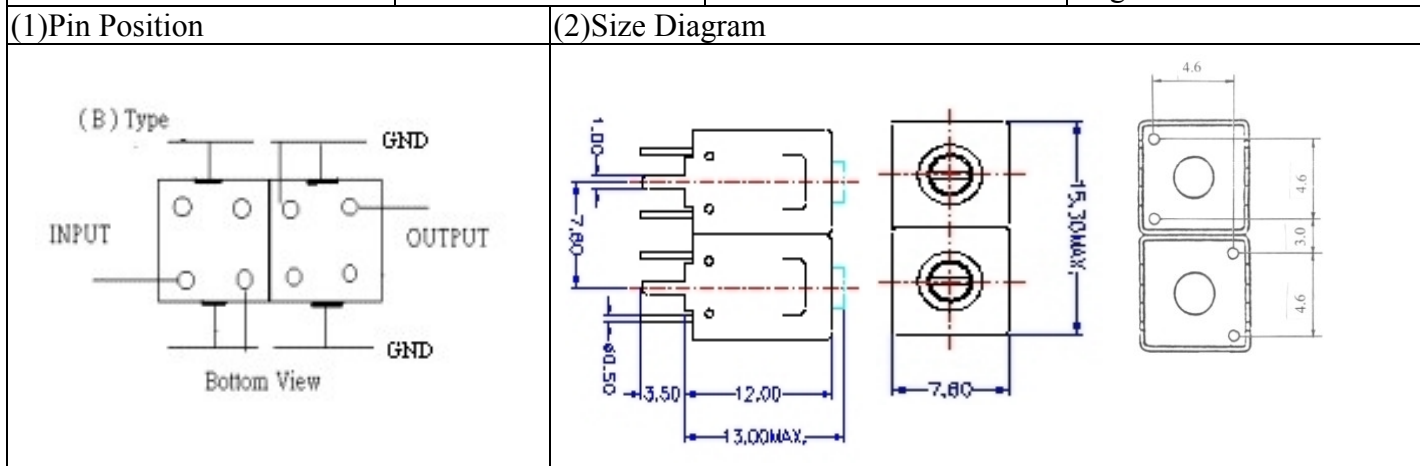


VHF UHF Helical Filter Specification Sheet

| | | | |
|----------------------|-------------|----------------------|-------------------|
| Customer Name | | Temwell's Part No. | TD67766B-725M-40M |
| Approval No. /dated | 20507134APR | Temwell's print Name | |
| Work Instruction No. | 20507134DC | Date | Aug.03.2005 |



(3) Electric Character

| Item | Specify | Performance | |
|------------------------------|-----------------|-----------------|--------|
| Center Freq.(Fo) +/- 0.5 % | 725 MHz | 725 MHz | |
| Tunable Range | 725±3 MHz | 725±3 MHz | |
| Insertion Loss | Typ. 2.0 dB | 1.04 dB | |
| -3 dB Bandwidth | Typ. 40 MHz | 47.2 MHz | |
| Sensitivity (Attenuation) | Fo - 120 MHz | Typ. 28 dBc | 31 dBc |
| | Fo + 120 MHz | Typ. 20 dBc | 23 dBc |
| | Fo - ()MHz | Typ. dBc | dBc |
| | Fo + ()MHz | Typ. dBc | dBc |
| Return Loss | Min. 12 dB | 19.9 dB | |
| Ripple | < 1 dB | dB | |
| Impedance | In / Out : 50 Ω | In / Out : 50 Ω | |

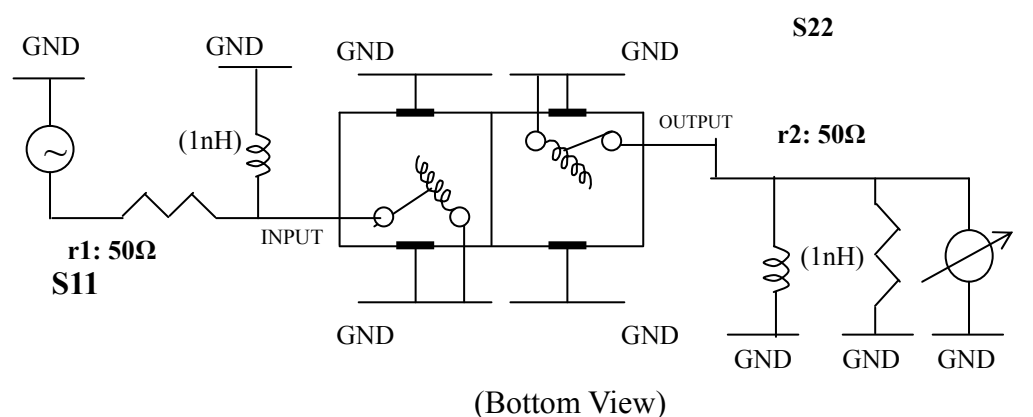
(4) Torque for Tuning Screw > 100gf · cm

(5) Temperature Condition:

| | |
|-----------------------|---------------|
| Operating Temperature | 0°C ~ +60°C |
| Storage Temperature | -20°C ~ +70°C |

(6) Input Power > 1 Watt

(7) Measuring Circuit: ※Easy to match Impedance 50Ω/75Ω by parallel with about (1) nH / .(1)nH



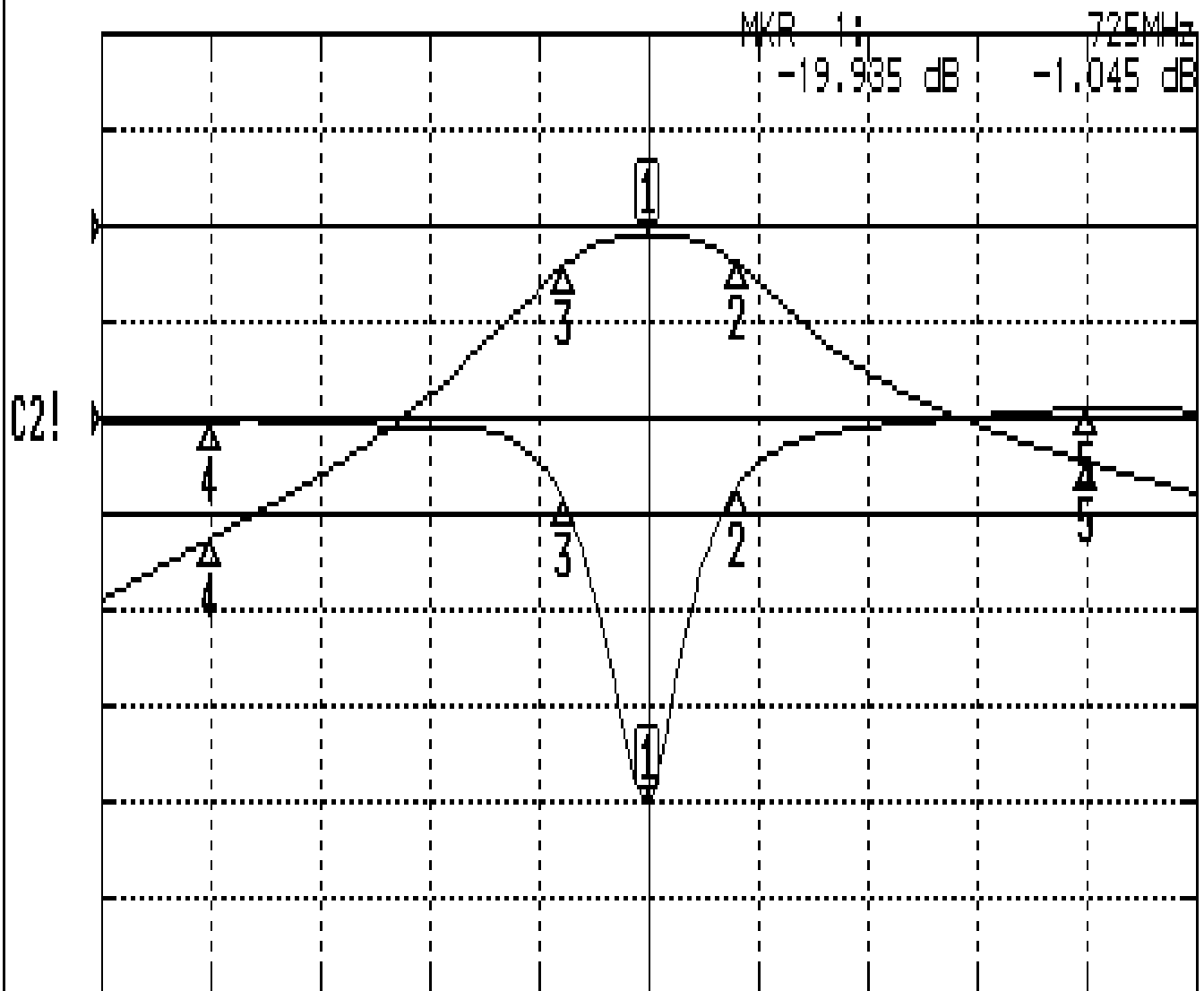
| | | | |
|------------|------------|-----------|-----------------------------|
| Approval | Supervisor | Designer | Aperture size |
| C.Y. Chang | C.S. Chang | W.W. Wang | 7H2S(4*4.65)F 7H046RB5.5 |

TEMWELL CORPORATION

Performance-TD67766B-725M-40M

20507134DC

CH1 S11&S21 LOG MAG REF 0.000 dB 5.000 dB/



CENTER 725MHz

[10.00 dBm]

SPAN 300MHz

CH1 MARKER LIST

| | | | |
|----|------------|------------|------------|
| 1: | 725.000MHz | -19.935 dB | -1.045 dB |
| 2: | 749.250MHz | -3.603 dB | -4.006 dB |
| 3: | 702.000MHz | -4.346 dB | -4.105 dB |
| 4: | 605.000MHz | -0.180 dB | -32.538 dB |
| 5: | 845.000MHz | 0.481 dB | -24.619 dB |