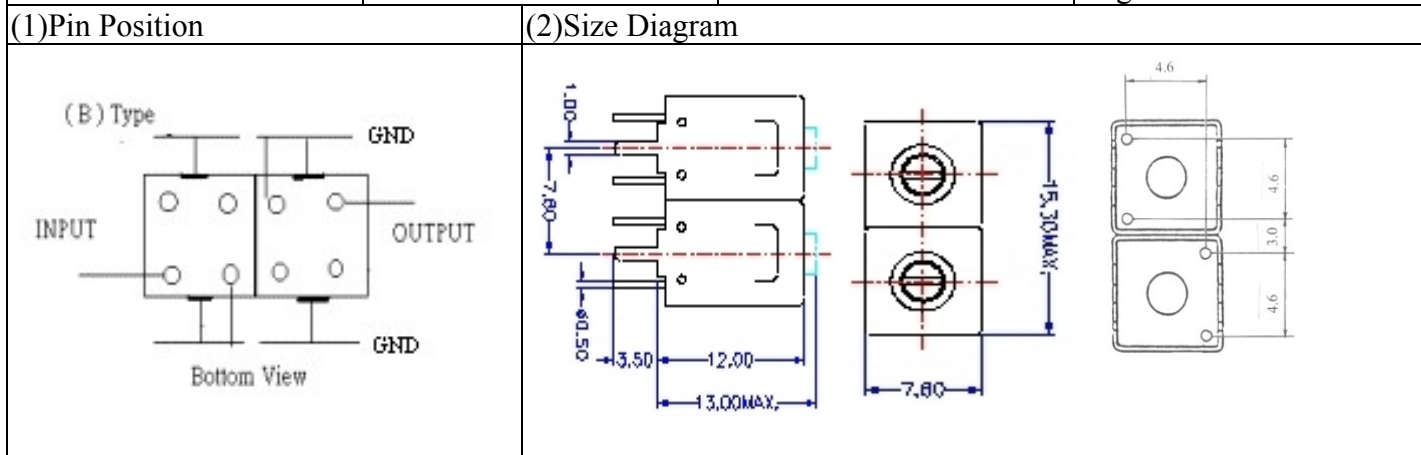


# VHF UHF Helical Filter Specification Sheet

Customer Name		Temwell's Part No.	TD67765B-675M-40M
Approval No. /dated	20507133APR	Temwell's Print Name	67765B 675M
Work Instruction No.	20507133DC	Date	Aug.22.2005



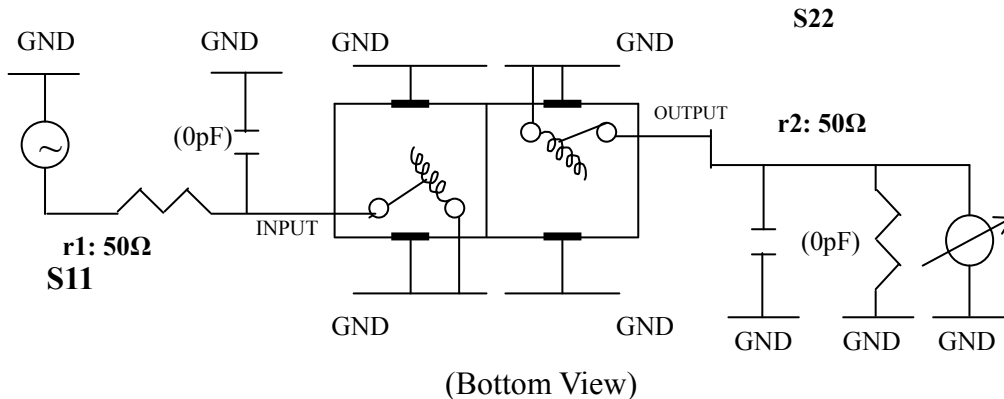
(3) Electric Characteristic

Item	Specify	Performance	
Center Freq.(Fo) +/- 0.5 %	675 MHz	675 MHz	
Tunable Range	675±5 MHz	675±5 MHz	
Insertion Loss	Typ. 2.0 dB	0.86 dB	
-3 dB Bandwidth	Typ. 40 MHz	48.2 MHz	
Sensitivity (Attenuation)	Fo -100 MHz	Typ. 28 dBc	31 dBc
	Fo +100 MHz	Typ. 20 dBc	23 dBc
	Fo - ( )MHz	Typ. dBc	dBc
	Fo +( )MHz	Typ. dBc	dBc
Return Loss	Min. 12 dB	28.0 dB	
Ripple	< 1 dB	dB	
Impedance	In / Out : 50 Ω	In / Out : 50 Ω	
(4) Torque for Tuning Screw	> 100gf · cm		

(5) Temperature Condition:

Operating Temperature	0°C ~ +60°C
Storage Temperature	-20°C ~ +70°C
(6) Input Power	> 1 Watt

(7) Measuring Circuit: ※Easy to match Impedance 50Ω by parallel with about ( 0 ) pF.



Approval	Supervisor	Designer	Aperture size
C.Y. Chang	C.S. Chang	J.F. Lin	7H2, 4*4.65(4.68) 7H046RB5.5

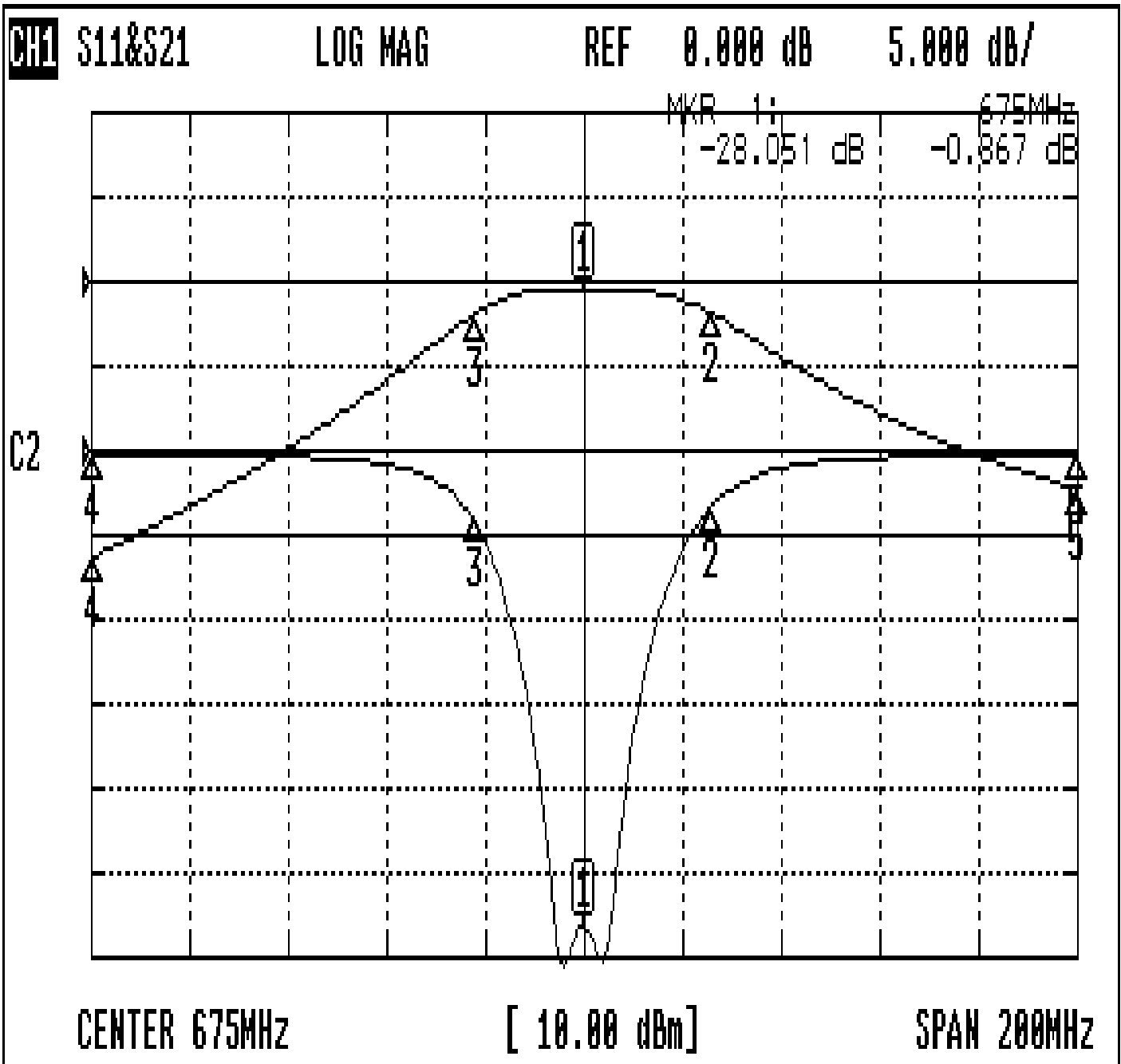
TEMWELL CORPORATION

TEMWELL

Form10-7H2B Vision D

# Performance-TD67765B-675M-40M

## 20507133DC



### CH1 MARKER LIST

1:	675.000MHz	-28.051 dB	-0.867 dB
2:	700.833MHz	-3.313 dB	-3.736 dB
3:	652.666MHz	-4.109 dB	-3.872 dB
4:	575.000MHz	-0.234 dB	-32.698 dB
5:	775.000MHz	-0.219 dB	-24.488 dB