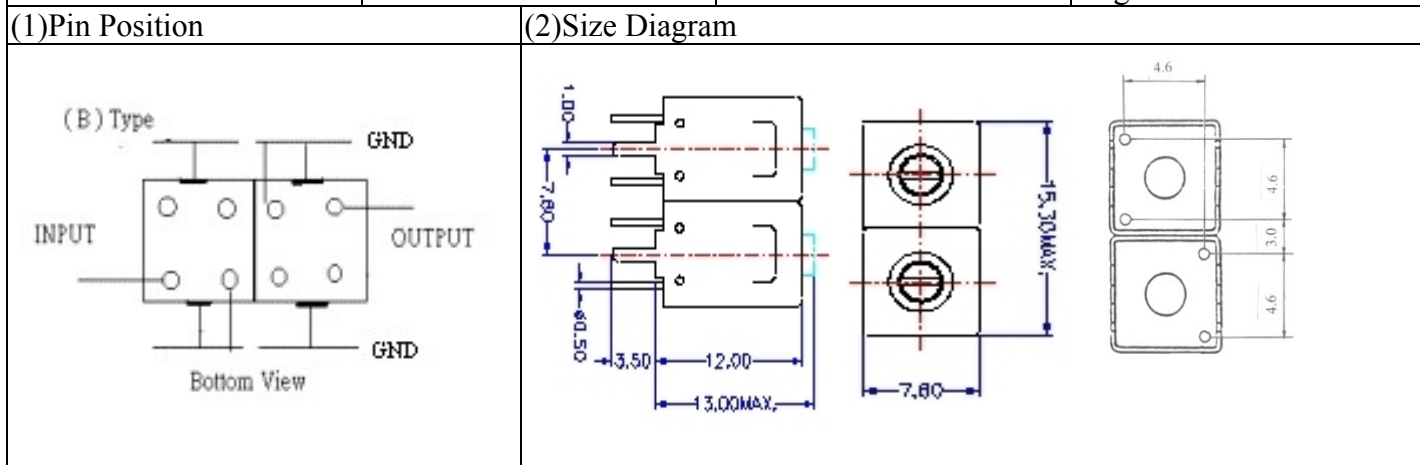


VHF UHF Helical Filter Specification Sheet

Customer Name		Temwell's Part No.	TD67764B-1275M
Approval No. /dated	20507132APR	Temwell's Print Name	
Work Instruction No.	20507132DC	Date	Aug.29.2005



(3) Electric Character

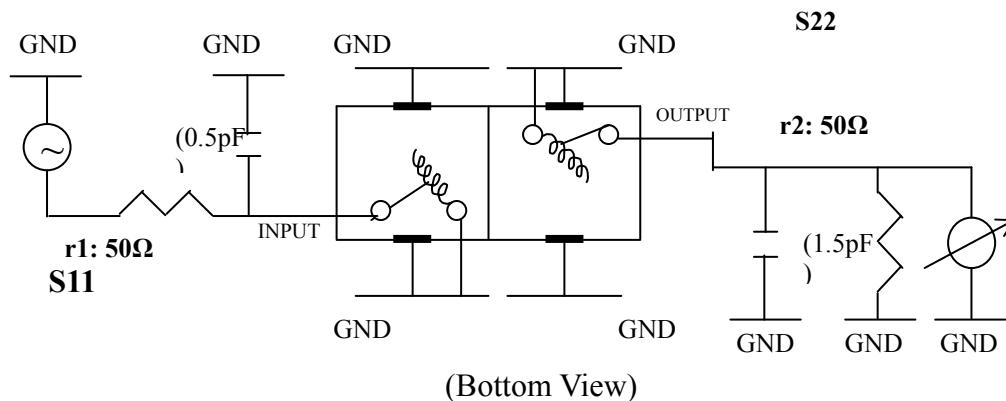
Item	Specify	Performance
Center Freq.(Fo) +/- 0.5 %	1275 MHz	1275 MHz
Tunable Range	1275±5 MHz	1275±5 MHz
Insertion Loss	Typ. 3.0 dB	1.89 dB
-3 dB Bandwidth	Typ. 39 MHz	45.7 MHz
Sensitivity (Attenuation)	Fo - 100 MHz	Typ. 25 dBc
	Fo + 100 MHz	Typ. 19 dBc
	Fo - ()MHz	Typ. dBc
	Fo + ()MHz	Typ. dBc
Return Loss	Min. 12 dB	17.4 dB
Ripple	< 1 dB	dB
Impedance	In / Out : 50 Ω	In / Out : 50 Ω
(4) Torque for Tuning Screw	> 100gf · cm	

(5) Temperature Condition:

Operating Temperature	0°C ~ +60°C
Storage Temperature	-20°C ~ +70°C

(6) Input Power > 1Watt

(7) Measuring Circuit: ※Easy to match Impedance 50Ω by parallel with about (0.5-1.5) pF.

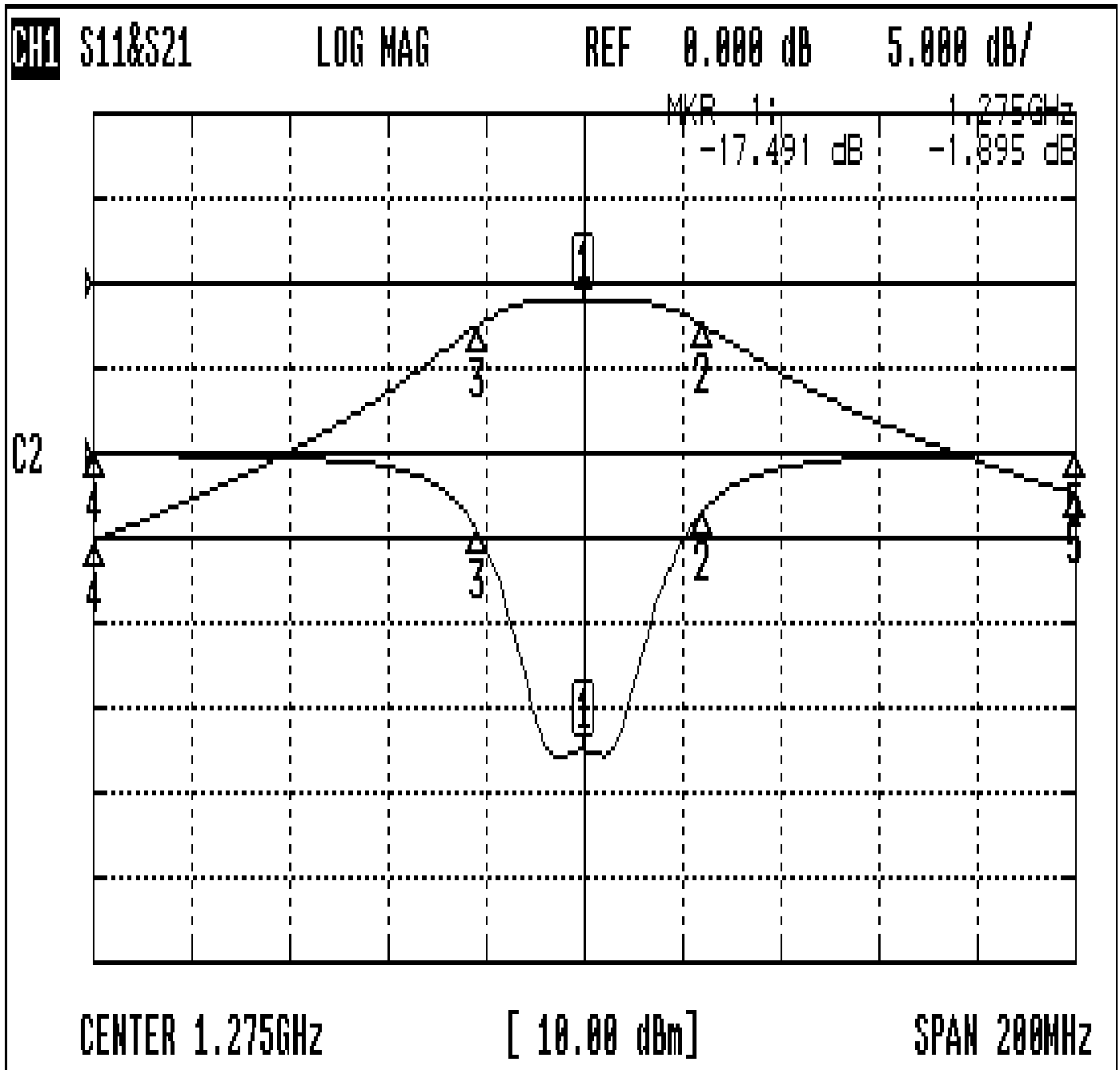


Approval	Supervisor	Designer	Aperture size
C.Y. Chang	C.S. Chang	C.S. Chang	7H2S(4*5.5) 7H046RB4

TEMWELL CORPORATION

Performance-TD67764B-1275M

20507132DC



CH1 MARKER LIST

1:	1.275 000GHz	-17.490 dB	-1.896 dB
2:	1.299 000GHz	-3.491 dB	-4.874 dB
3:	1.253 333GHz	-4.599 dB	-4.925 dB
4:	1.175 000GHz	-0.108 dB	-30.268 dB
5:	1.375 000GHz	-0.046 dB	-24.672 dB