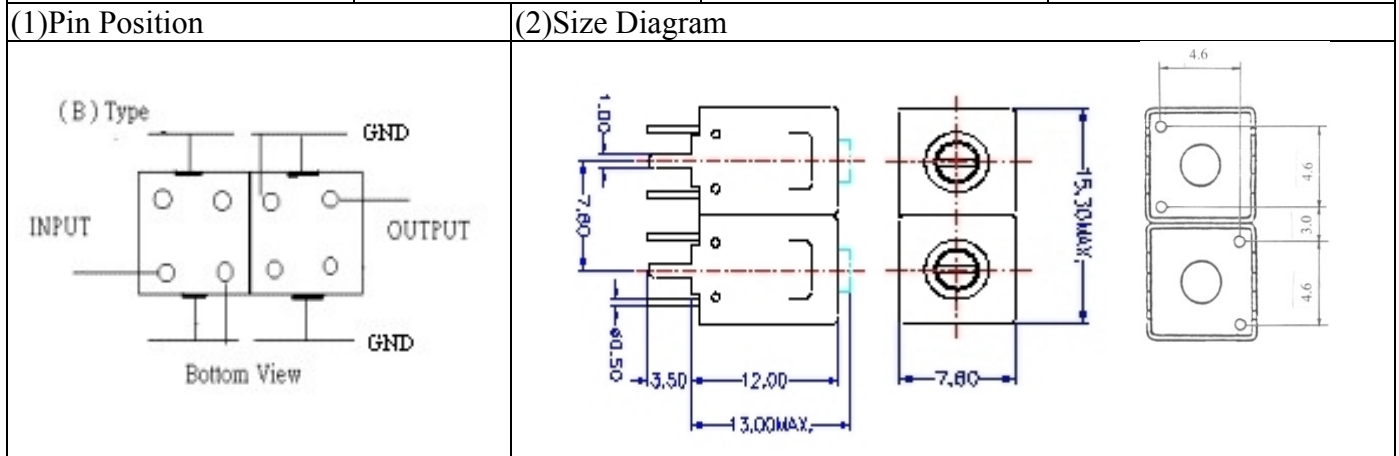


VHF UHF Helical Filter Specification Sheet

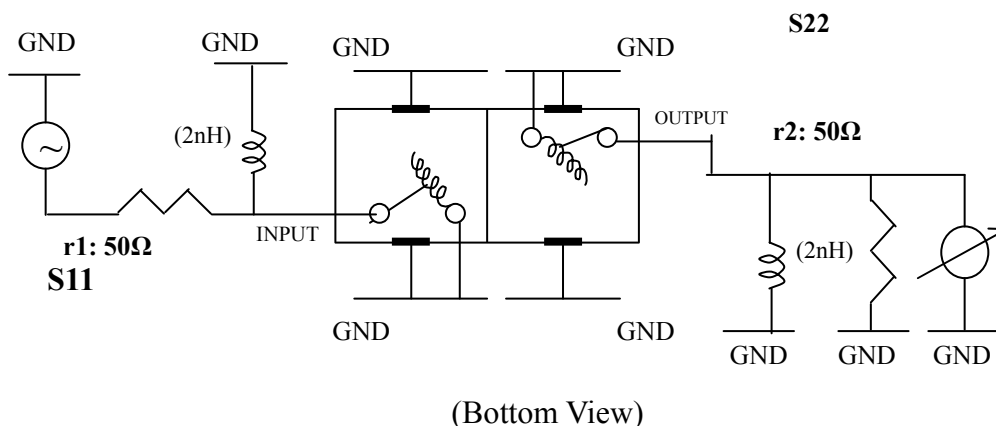
Customer Name		Temwell's Part No.	TD67760B-963M
Approval No. /dated	20507128APR	Temwell's print Name	
Work Instruction No.	20507128DC	Date	Aug.22.2005



(3) Electric Character			
Item		Specify	Performance
Center Freq.(Fo) +/- 0.5 %		963 MHz	963 MHz
Tunable Range		963±10 MHz	963±10 MHz
Insertion Loss		Typ. 2.0 dB	1.24 dB
-3 dB Bandwidth		Typ. 35 MHz	41.9 MHz
Sensitivity (Attenuation)	Fo - 100 MHz	Typ. 26 dBc	29 dBc
	Fo + 100 MHz	Typ. 19 dBc	22 dBc
	Fo - ()MHz	Typ. dBc	dBc
	Fo +()MHz	Typ. dBc	dBc
Return Loss		Min. 12 dB	18.4 dB
Ripple		< 1 dB	dB
Impedance		In / Out : 50 Ω	In / Out : 50 Ω

(4) Torque for Tuning Screw		> 100gf · cm
(5) Temperature Condition:		
Operating Temperature	0°C ~ +60°C	
Storage Temperature	-20°C ~ +70°C	
(6) Input Power	> 1Watt	

(7) Measuring Circuit: ※Easy to match Impedance 50Ω by parallel with about (2) nH

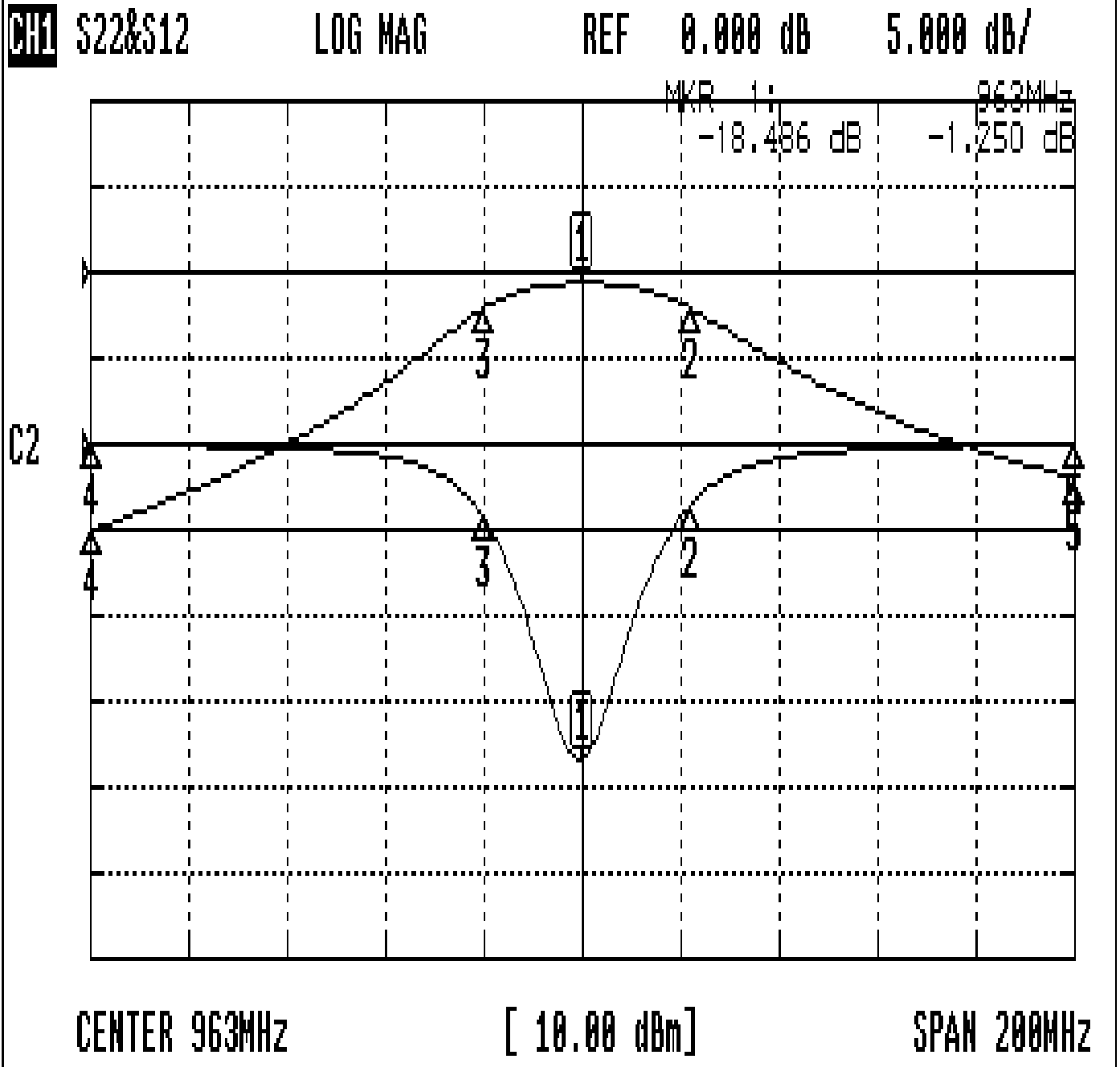


Approval	Supervisor	Designer	Aperture size
C.Y. Chang	C.S. Chang	C.S. Chang	7H2(4*8.0) 7H046RB4

TEMWELL CORPORATION

Performance-TD67760B-963M

20507128DC



CH1 MARKER LIST

1:	963.000MHz	-18.472 dB	-1.246 dB
2:	985.000MHz	-3.590 dB	-4.219 dB
3:	943.166MHz	-4.359 dB	-4.112 dB
4:	863.000MHz	-0.084 dB	-30.095 dB
5:	1.063 000GHz	-0.076 dB	-23.978 dB