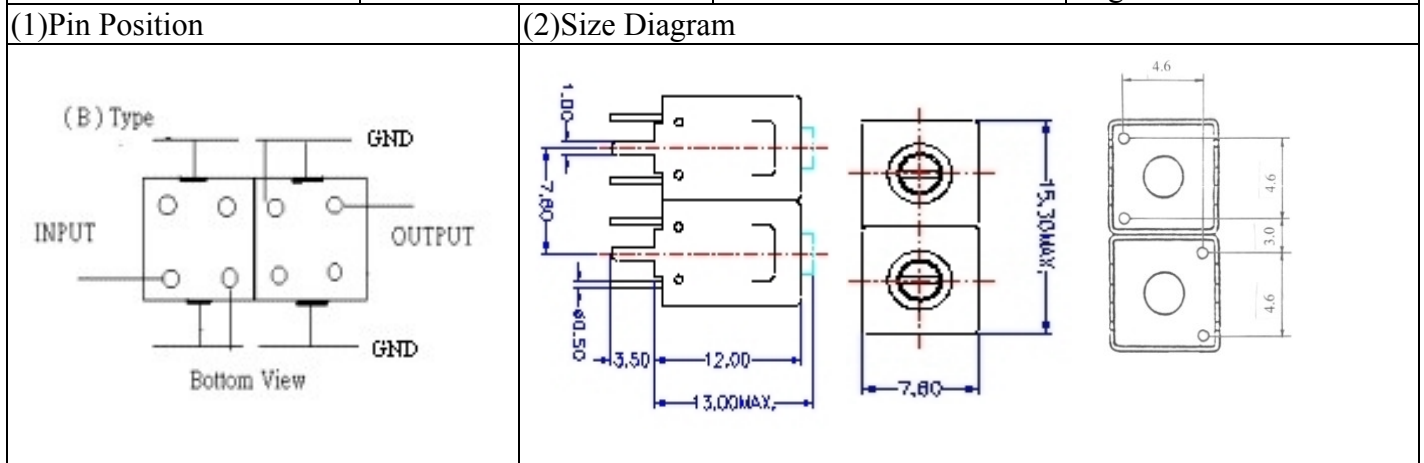


# VHF UHF Helical Filter Specification Sheet

Customer Name		Temwell's Part No.	TD67759B-940M
Approval No. /dated	20507127APR	Temwell's Print Name	
Work Instruction No.	20507127DC	Date	Aug.25.2005



**(3) Electric Character**

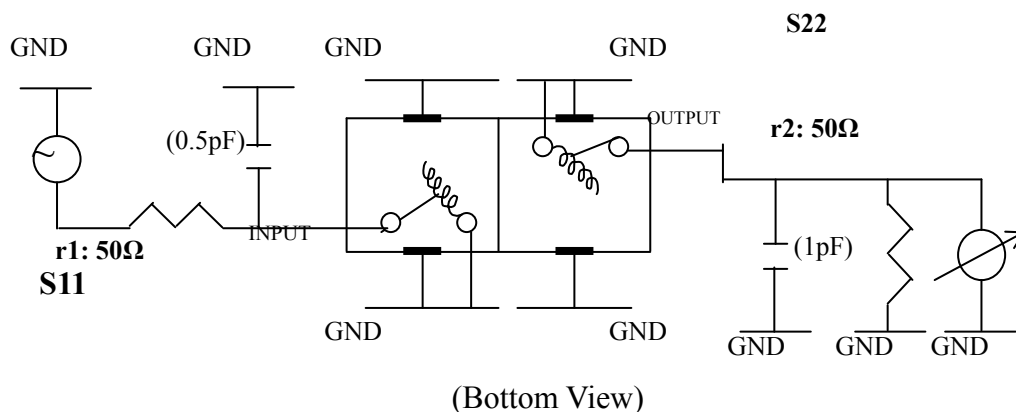
Item	Specify	Performance	
Center Freq.(Fo) +/- 0.5 %	940 MHz	940 MHz	
Tunable Range	940±10 MHz	940±10 MHz	
Insertion Loss	Typ. 2.0 dB	1.14 dB	
-3 dB Bandwidth	Typ. 35 MHz	41.5 MHz	
Sensitivity (Attenuation)	Fo - 100 MHz	Typ. 28 dBc	31 dBc
	Fo + 100 MHz	Typ. 21 dBc	24 dBc
	Fo - ( )MHz	Typ. dBc	dBc
	Fo + ( )MHz	Typ. dBc	dBc
Return Loss	Min. 12 dB	22.5 dB	
Ripple	< 1 dB	dB	
Impedance	In / Out : 50 Ω	In / Out : 50 Ω	
(4) Torque for Tuning Screw	> 100gf · cm		

**(5) Temperature Condition:**

Operating Temperature	0°C ~ +60°C
Storage Temperature	-20°C ~ +70°C

**(6) Input Power** > 1Watt

**(7) Measuring Circuit:** ※Easy to match Impedance 50Ω by parallel with about ( 0.5-1 ) pF.

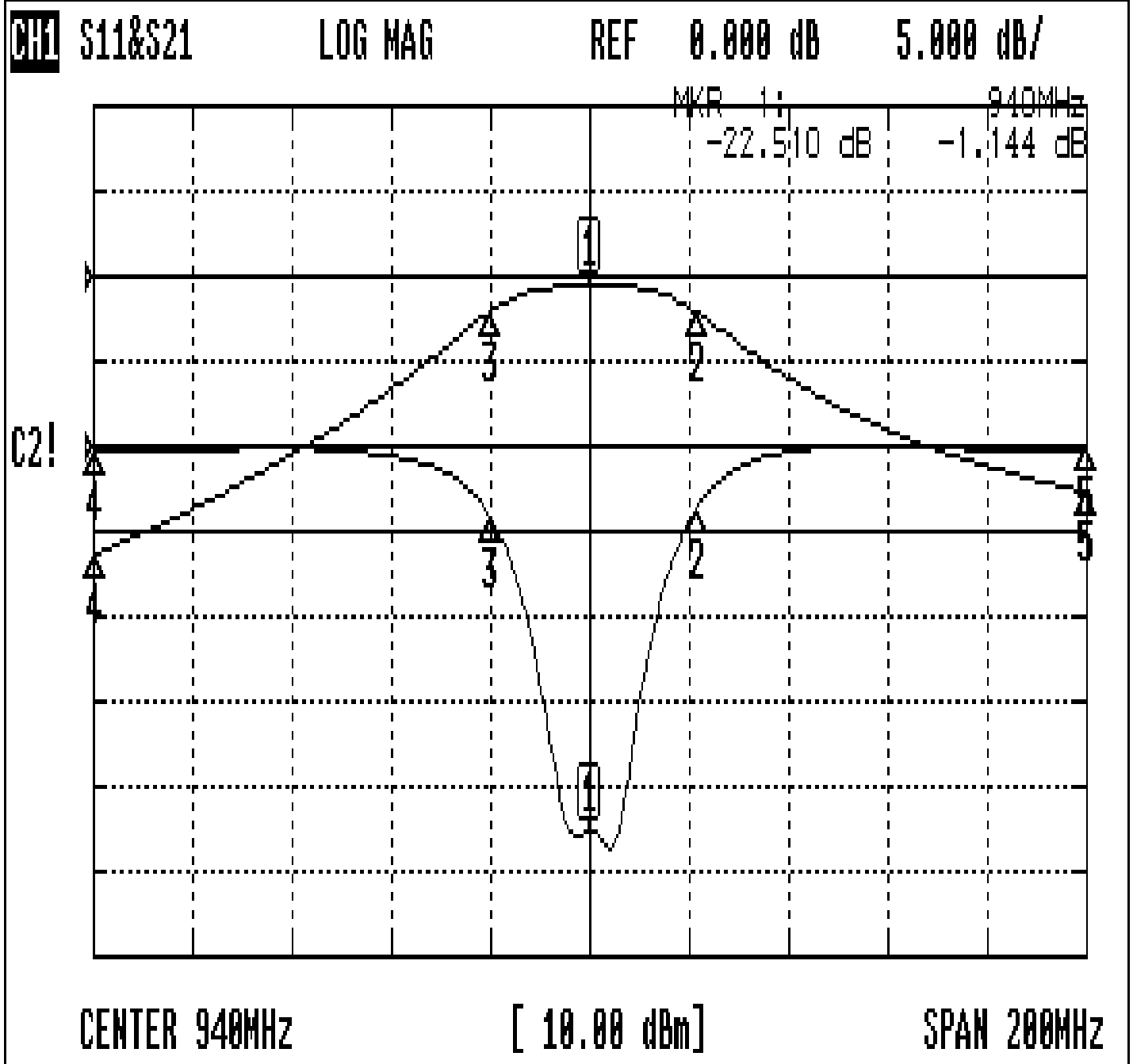


Approval	Supervisor	Designer	Aperture size
C.Y. Chang	C.S. Chang	C.S. Chang	7H2, (4*8.0) 7H046LB5.5

TEMWELL CORPORATION

# Performance-TD67759B-940M

## 20507127DC



### CH1 MARKER LIST

1:	940.000MHz	-22.510 dB	-1.145 dB
2:	961.500MHz	-3.665 dB	-4.174 dB
3:	920.000MHz	-4.108 dB	-4.153 dB
4:	840.000MHz	-0.338 dB	-32.641 dB
5:	1.040 000GHz	-0.131 dB	-25.311 dB