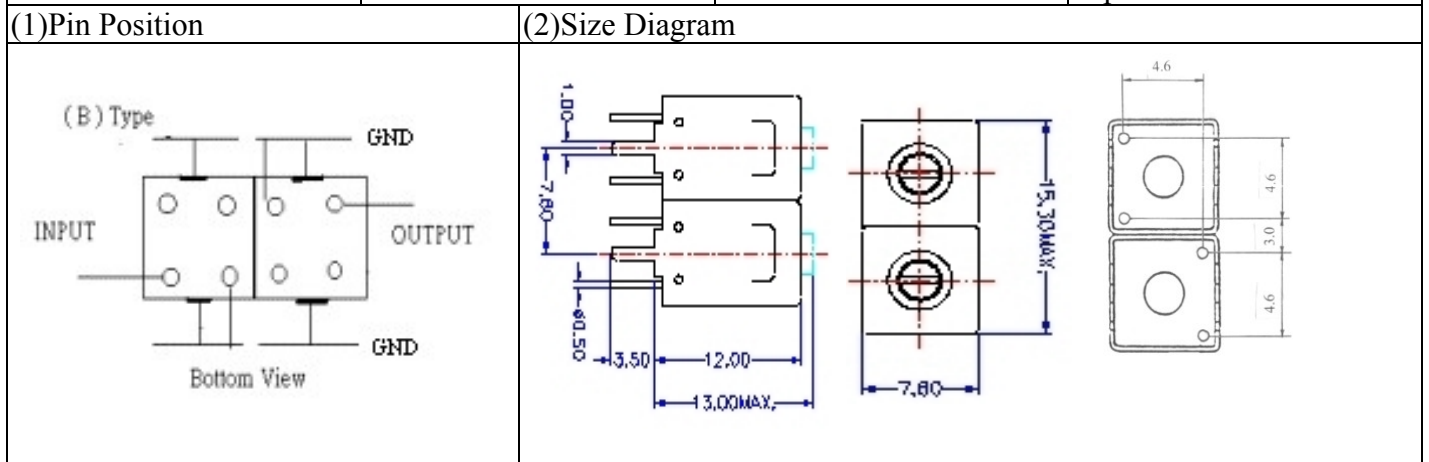


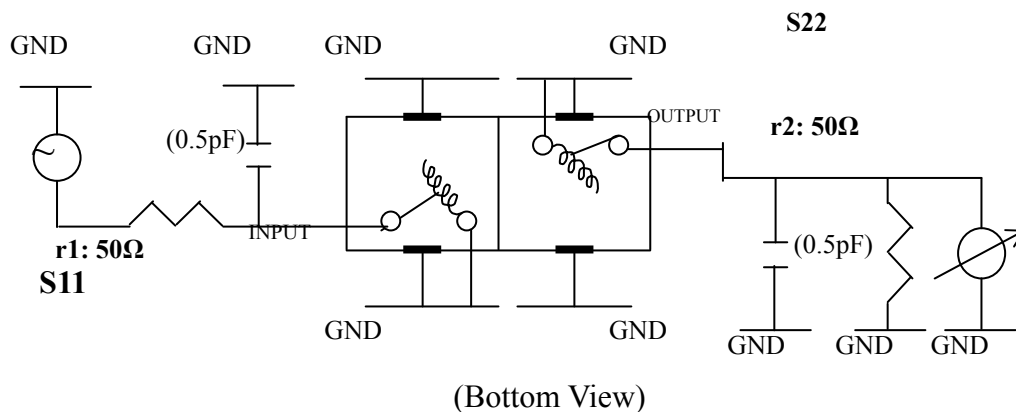
VHF UHF Helical Filter Specification Sheet

Customer Name		Temwell's Part No.	TD67758B-915M
Approval No. /dated	20507126APR	Temwell's Print Name	67758B 915M
Work Instruction No.	20507126DC	Date	Sep.03.2005



(3) Electric Character					
Item		Specify		Performance	
Center Freq.(Fo) +/- 0.5 %		915 MHz		915 MHz	
Tunable Range		915±10 MHz		915±10 MHz	
Insertion Loss		Typ. 2.0 dB		1.17 dB	
-3 dB Bandwidth		Typ. 35 MHz		39.7 MHz	
Sensitivity (Attenuation)	Fo - 100 MHz	Typ. 28 dBc		31 dBc	
	Fo + 100 MHz	Typ. 22 dBc		25 dBc	
	Fo - ()MHz	Typ. dBc		dBc	
	Fo + ()MHz	Typ. dBc		dBc	
Return Loss		Min. 12 dB		18.6 dB	
Ripple		< 1 dB		dB	
Impedance		In / Out : 50 Ω		In / Out : 50 Ω	
(4) Torque for Tuning Screw		> 100gf · cm			
(5) Temperature Condition:					
Operating Temperature		0°C ~ +60°C			
Storage Temperature		-20°C ~ +70°C			
(6) Input Power		> 1Watt			

(7) Measuring Circuit: ※Easy to match Impedance 50Ω by parallel with about (0~0.5) pF.



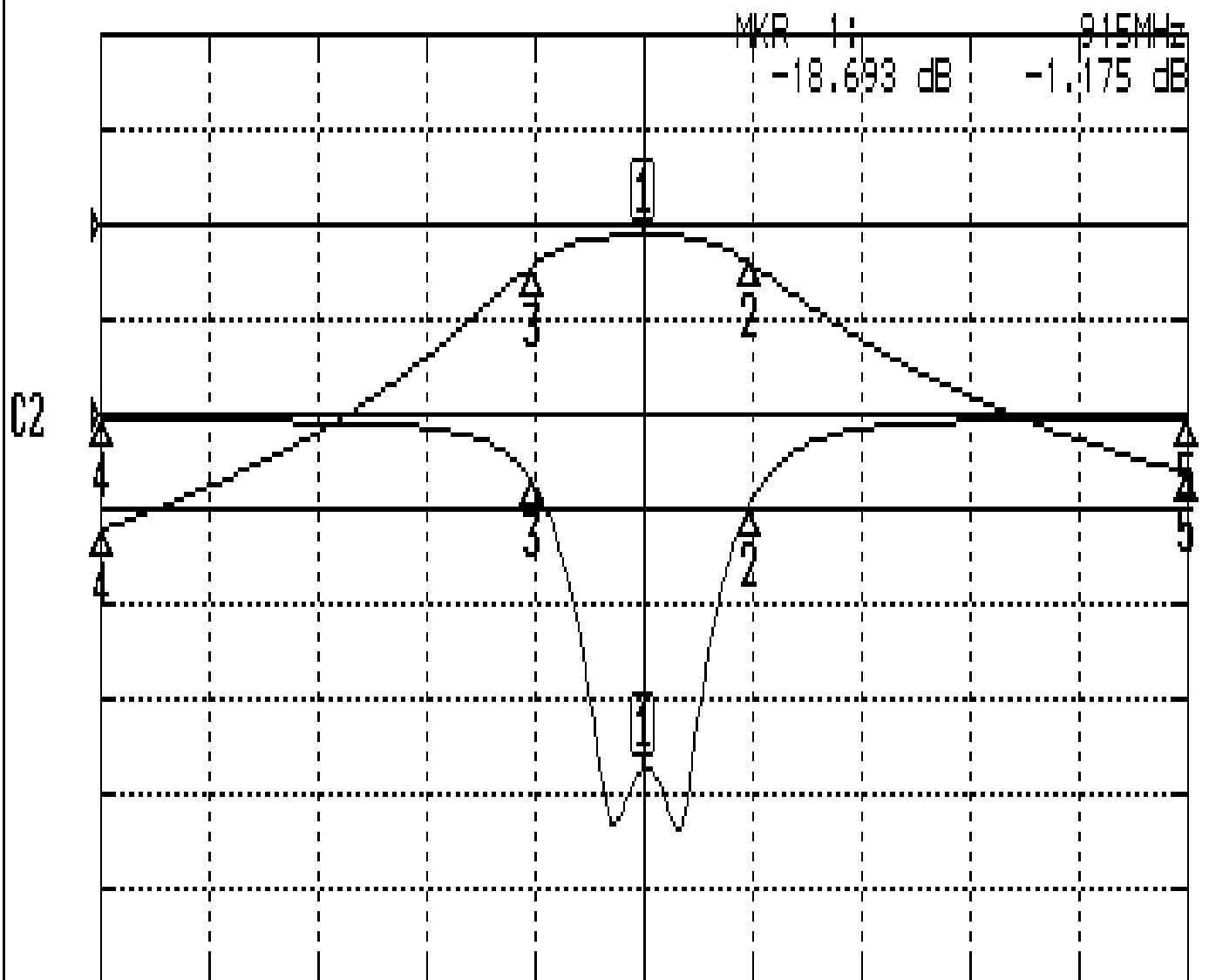
Approval	Supervisor	Designer	Aperture size
C.Y. Chang	C.S. Chang	P.H. Chiang	7H2(4*7.35)(7.40) 7H046RB4

TEMWELL CORPORATION

Performance- TD67758B-915M

20507126DC

CH1 S11&S21 LOG MAG REF 0.000 dB 5.000 dB/



CENTER 915MHz

[10.00 dBm]

SPAN 200MHz

CH1 MARKER LIST

1:	915.000MHz	-18.693 dB	-1.175 dB
2:	934.500MHz	-4.898 dB	-4.108 dB
3:	894.833MHz	-3.698 dB	-4.191 dB
4:	815.000MHz	-0.281 dB	-32.225 dB
5:	1.015 000GHz	-0.290 dB	-26.155 dB