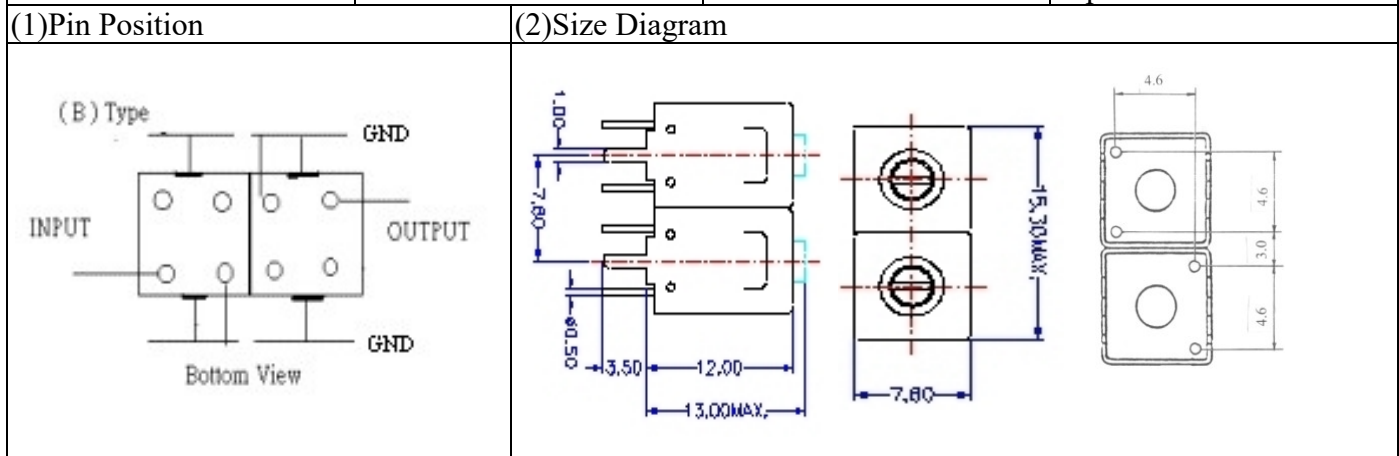


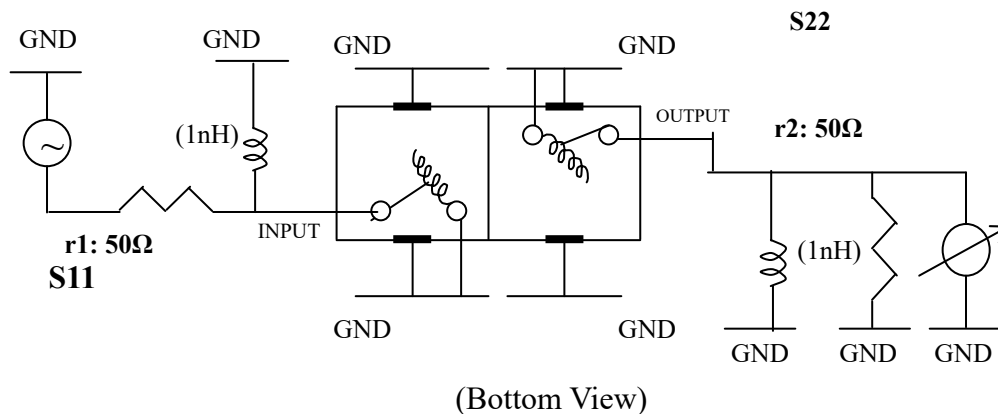
VHF UHF Helical Filter Specification Sheet

Customer Name		Temwell's Part No.	TD67757B-880M
Approval No. /dated	20507125APR	Temwell's print name	67757B 880M
Work Instruction No.	20507125DC	Date	Sep.05.2005



(3) Electric Character					
Item		Specify		Performance	
Center Freq.(Fo) +/- 0.5 %		880 MHz		880 MHz	
Tunable Range		880±15 MHz		880±15 MHz	
Insertion Loss		Typ. 2.0 dB		1.22 dB	
-3 dB Bandwidth		Typ. 38 MHz		42.2 MHz	
Sensitivity (Attenuation)	Fo - 120 MHz	Typ. 31 dBc		34 dBc	
	Fo + 120 MHz	Typ. 24 dBc		27 dBc	
	Fo - ()MHz	Typ. dBc		dBc	
	Fo + ()MHz	Typ. dBc		dBc	
Return Loss		Min. 12 dB		30 dB	
Ripple		< 1 dB		dB	
Impedance		In / Out : 50 Ω		In / Out : 50 Ω	
(4) Torque for Tuning Screw				> 60gf • cm	
(5) Temperature Condition:					
Operating Temperature		-0°C ~ +60°C			
Storage Temperature		-20°C ~ +70°C			
(6) Input Power				> 1Watt	

(7) Measuring Circuit: ※Easy to match Impedance S11/S22 50Ω/by parallel with about(0 pF) / (0 pF).

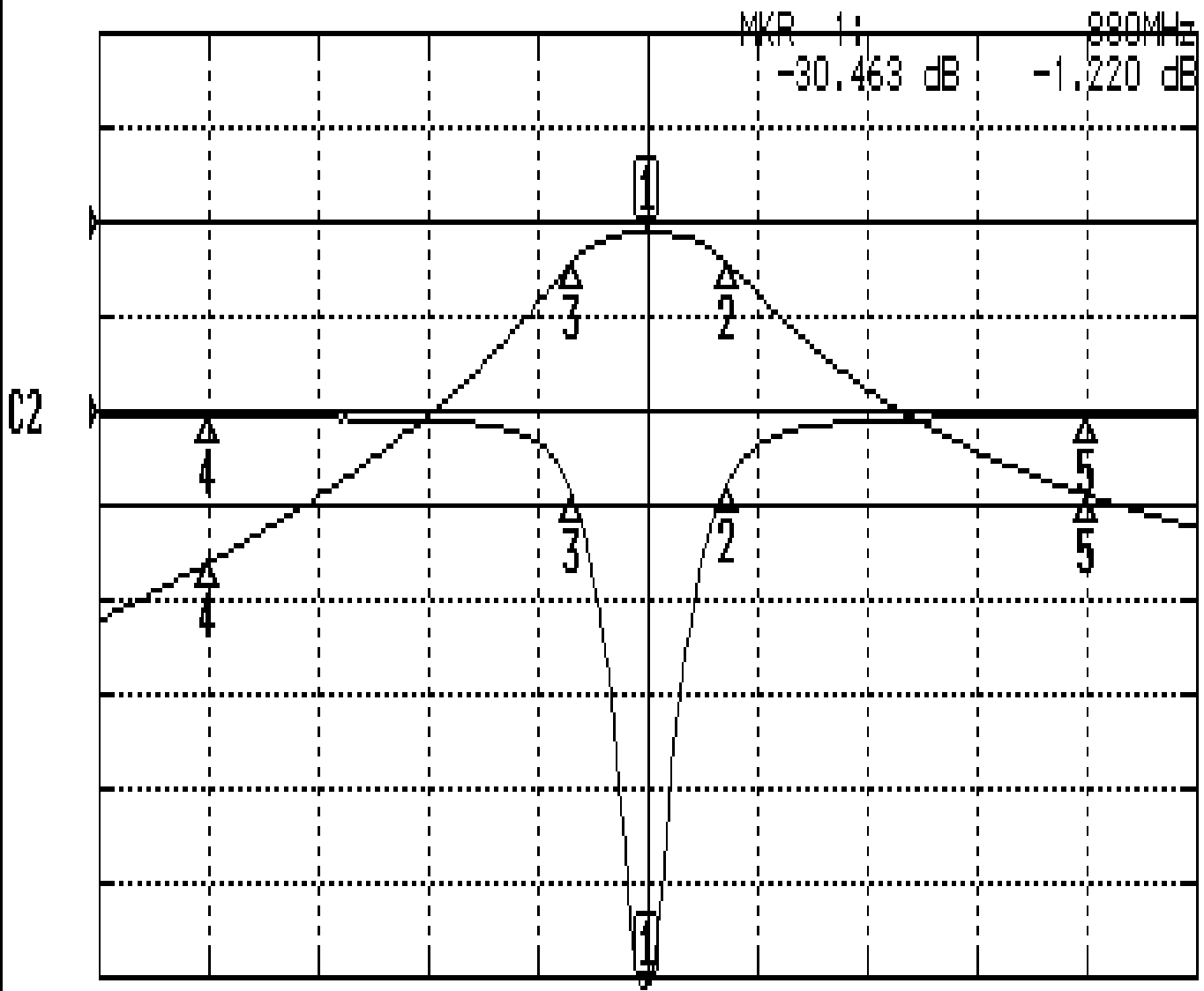


Approval	Supervisor	Designer	Aperture size
C.Y. Chang	C.S. Chang	W.W. Wang	7H3S(4*8.0)(8.02)F 7H046RB4
TEMWELL CORPORATION			

Performance-TD67757B-880M

20507125DC

CH1 S11&S21 LOG MAG REF 0.000 dB 10.000 dB/



CENTER 880MHz

[10.00 dBm]

SPAN 300MHz

CH1 MARKER LIST

1:	880.000MHz	-30.463 dB	-1.220 dB
2:	901.750MHz	-3.633 dB	-4.227 dB
3:	859.500MHz	-4.121 dB	-4.276 dB
4:	760.000MHz	-0.044 dB	-36.045 dB
5:	1.000 000GHz	0.033 dB	-28.853 dB