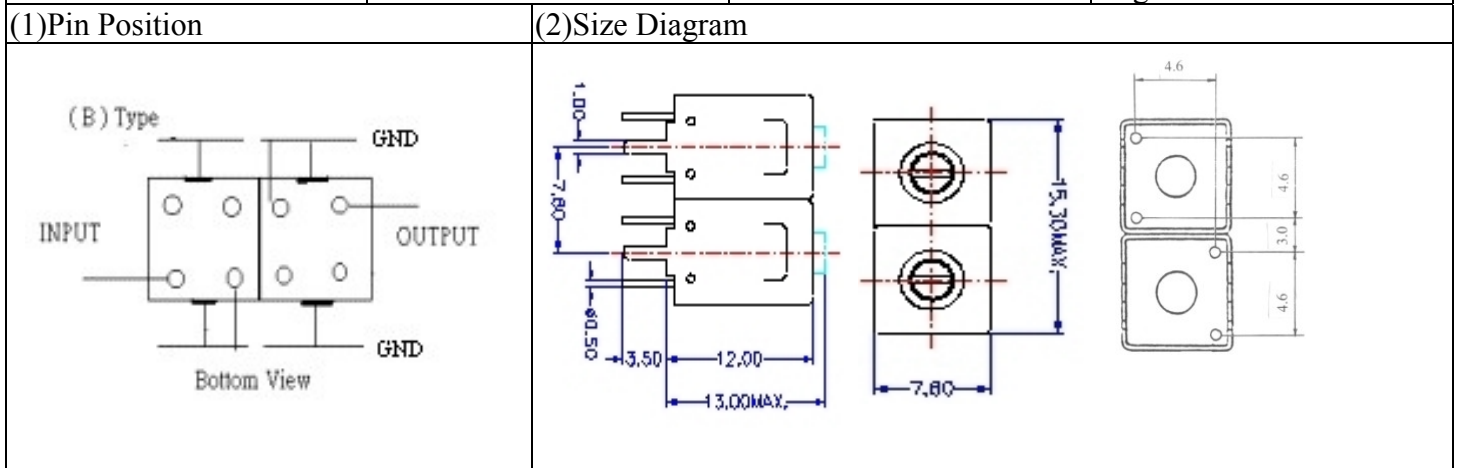


# VHF UHF Helical Filter Specification Sheet

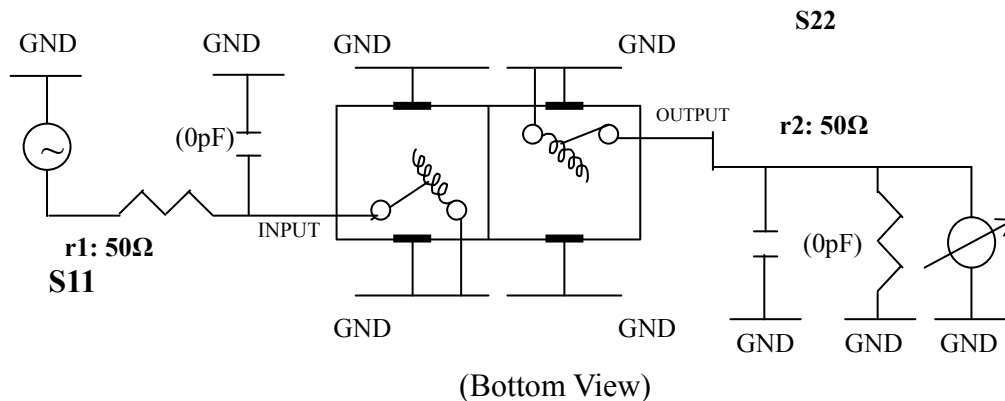
Customer Name		Temwell's Part No.	TD67756B-845M
Approval No. /dated	20507124APR	Temwell's Print Name	
Work Instruction No.	20507124DC	Date	Aug.12.2005



(3) Electric Character			
Item	Specify		Performance
Center Freq.(Fo) +/- 0.5 %	845	MHz	845 MHz
Tunable Range	845±10	MHz	845±10 MHz
Insertion Loss	Typ. 2.0	dB	1.20 dB
-3 dB Bandwidth	Typ. 34	MHz	38.8 MHz
Sensitivity (Attenuation)	Fo - 100 MHz	Typ. 28	dBc
	Fo + 100 MHz	Typ. 22	dBc
	Fo - ( )MHz	Typ.	dBc
	Fo +( )MHz	Typ.	dBc
Return Loss	Min. 12	dB	25.5 dB
Ripple	< 1	dB	dB
Impedance	In / Out : 50 Ω		In / Out : 50 Ω

(4) Torque for Tuning Screw		> 100gf · cm
(5) Temperature Condition:		
Operating Temperature	0°C ~ +60°C	
Storage Temperature	-20°C ~ +70°C	
(6) Input Power	> 1Watt	

(7) Measuring Circuit: ※Easy to match Impedance 50Ω/ by parallel with about ( 0 ) pF.



Approval	Supervisor	Designer	Aperture size
C.Y. Chang	C.S. Chang	W.W. Wang	7H2(4*6.5)(6.58)F 7H046RB4

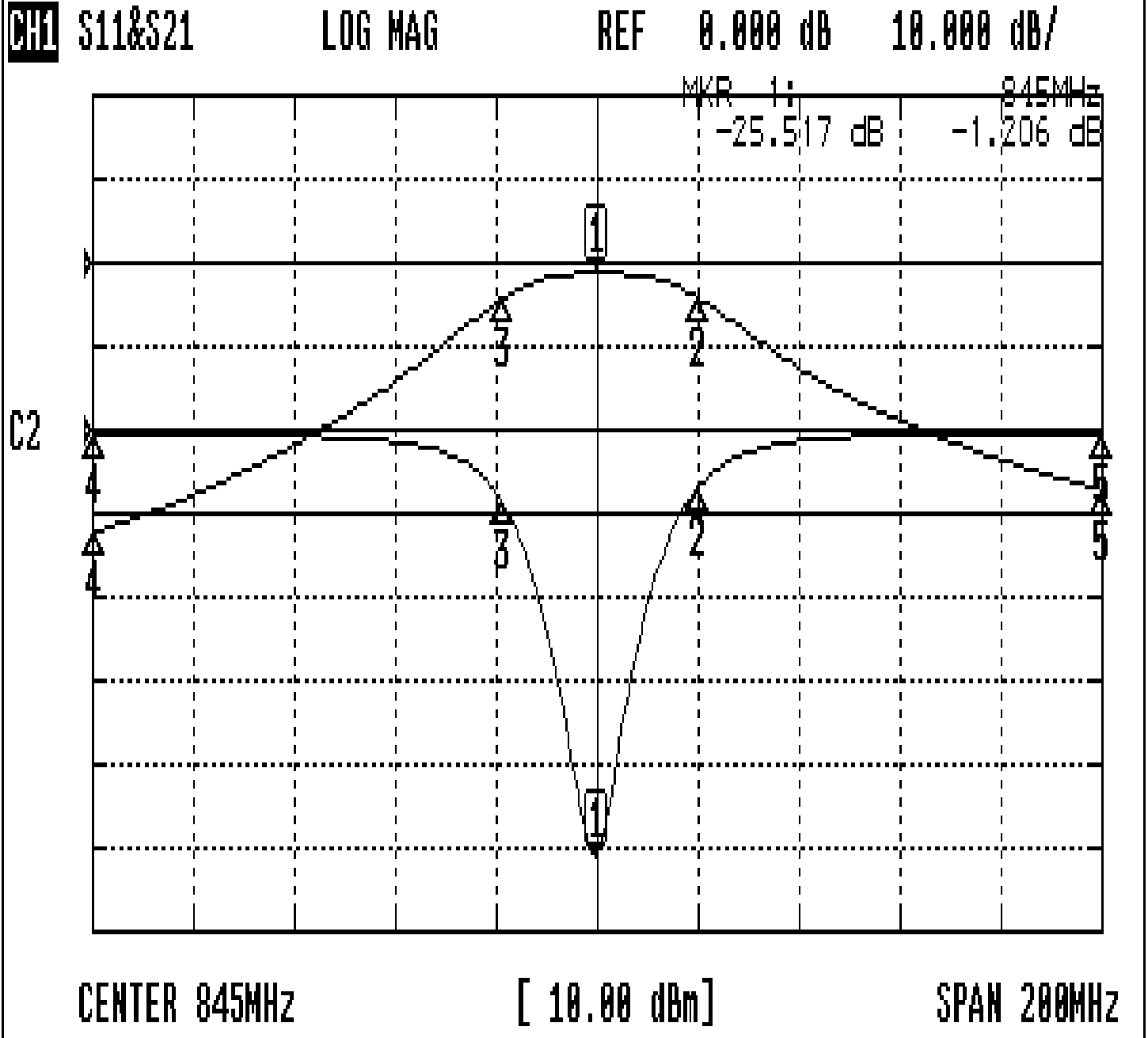
TEMWELL CORPORATION

TEMWELL

Form10-7H2B Vision D

# Performance-TD67756B-845M

## 20507124DC



### CH1 MARKER LIST

1:	845.000MHz	-25.517 dB	-1.206 dB
2:	865.166MHz	-3.379 dB	-4.216 dB
3:	826.333MHz	-4.319 dB	-4.242 dB
4:	745.000MHz	-0.222 dB	-32.361 dB
5:	945.000MHz	-0.181 dB	-27.117 dB