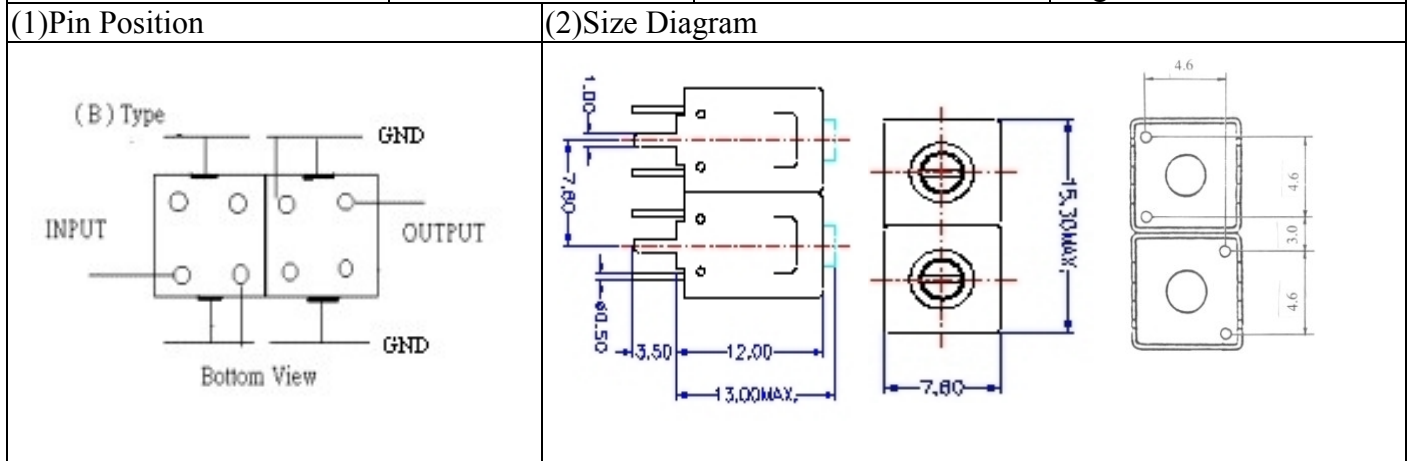


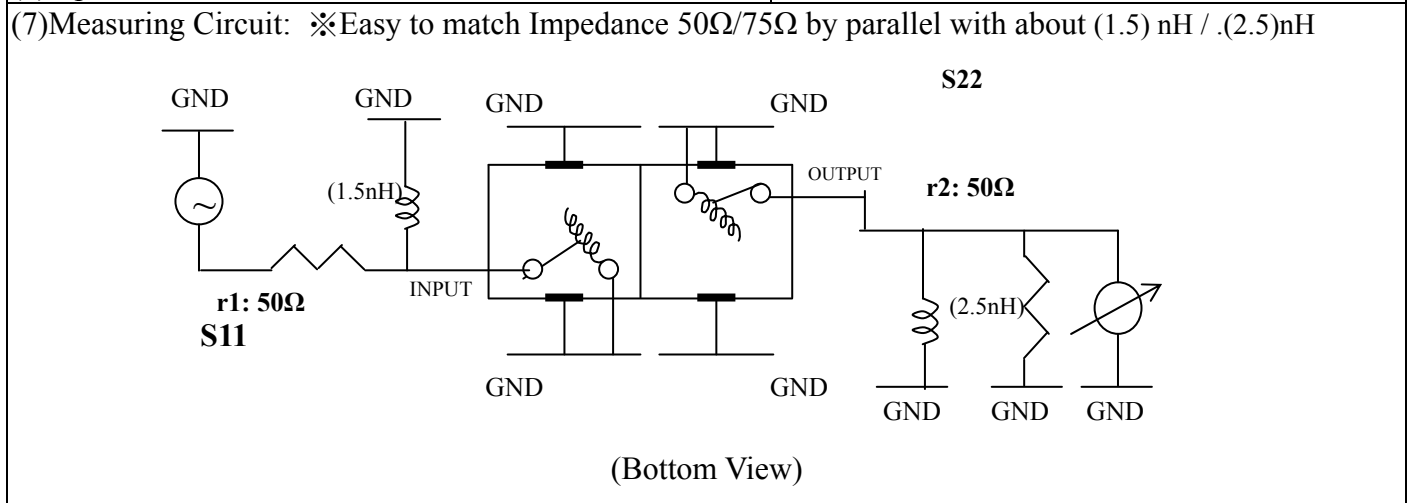
VHF UHF Helical Filter Specification Sheet

Customer Name		Temwell's Part No.	TD67755B-815M
Approval No. /dated	20507123APR	Temwell's print Name	67755B 815M
Work Instruction No.	20507123DC	Date	Aug.12.2005



(3) Electric Character			
Item		Specify	Performance
Center Freq.(Fo) +/- 0.5 %		815 MHz	815 MHz
Tunable Range		815±10 MHz	815±10 MHz
Insertion Loss		Typ. 2.0 dB	1.37 dB
-3 dB Bandwidth		Typ. 34 MHz	38.8 MHz
Sensitivity (Attenuation)	Fo - 100 MHz	Typ. 28 dBc	31 dBc
	Fo + 100 MHz	Typ. 20 dBc	23 dBc
	Fo - ()MHz	Typ. dBc	dBc
	Fo +()MHz	Typ. dBc	dBc
Return Loss		Min. 12 dB	18.2 dB
Ripple		< 1 dB	dB
Impedance		In / Out : 50 Ω	In / Out : 50 Ω
(4) Torque for Tuning Screw		> 100gf · cm	

(5) Temperature Condition:	
Operating Temperature	0°C ~ +60°C
Storage Temperature	-20°C ~ +70°C
(6) Input Power	> 1Watt

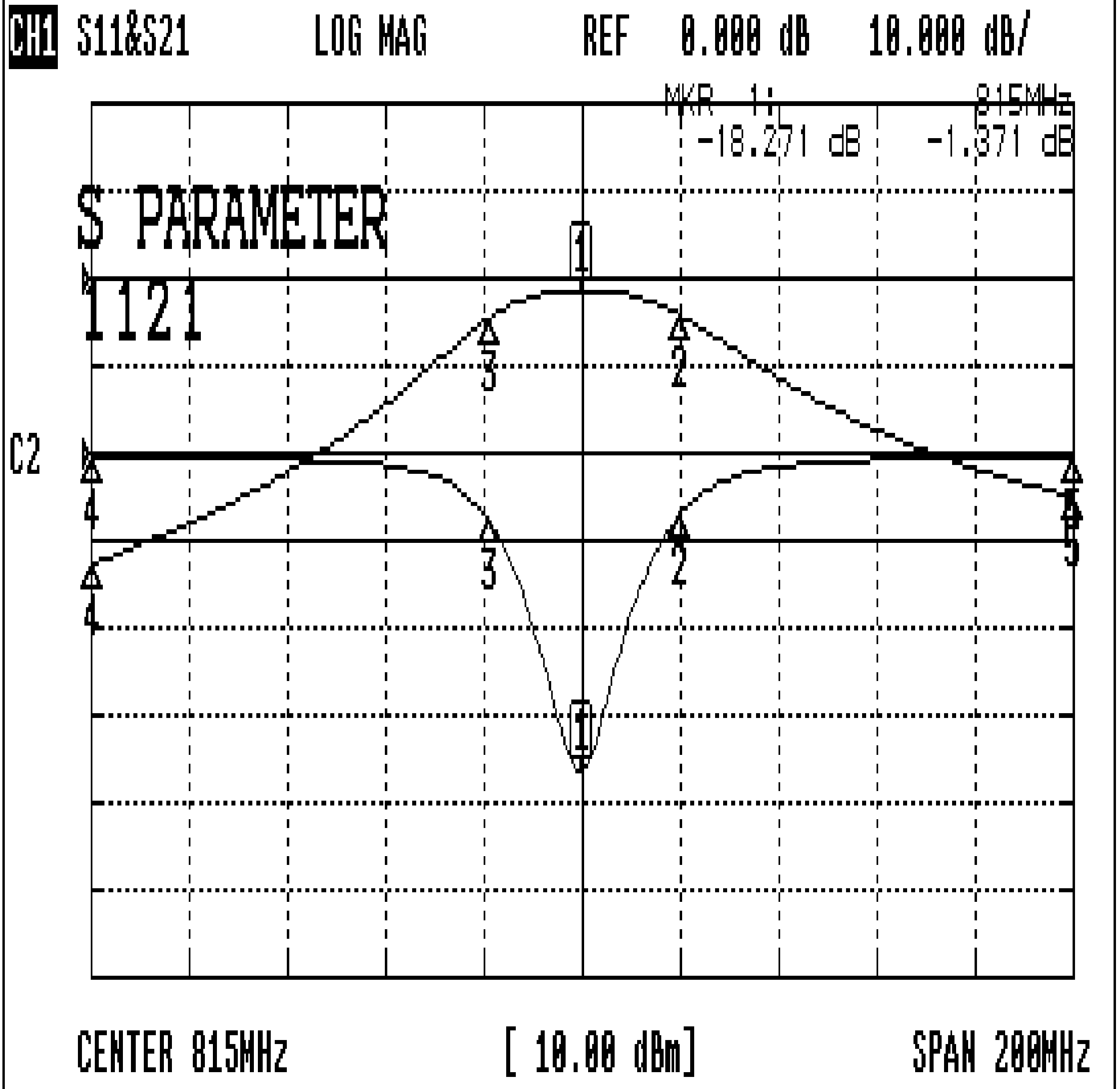


Approval	Supervisor	Designer	Aperture size
C.Y.Chang	C.S.Chang	W.W.Wang	7H2(4*7.5)(7.48)F 7H046RB4

TEMWELL CORPORATION

Performance-TD67755B-815M

20507123DC



CH1 MARKER LIST

1:	815.000MHz	-18.271 dB	-1.371 dB
2:	835.166MHz	-3.425 dB	-4.243 dB
3:	796.333MHz	-3.945 dB	-4.421 dB
4:	715.000MHz	-0.249 dB	-32.752 dB
5:	915.000MHz	-0.277 dB	-24.973 dB