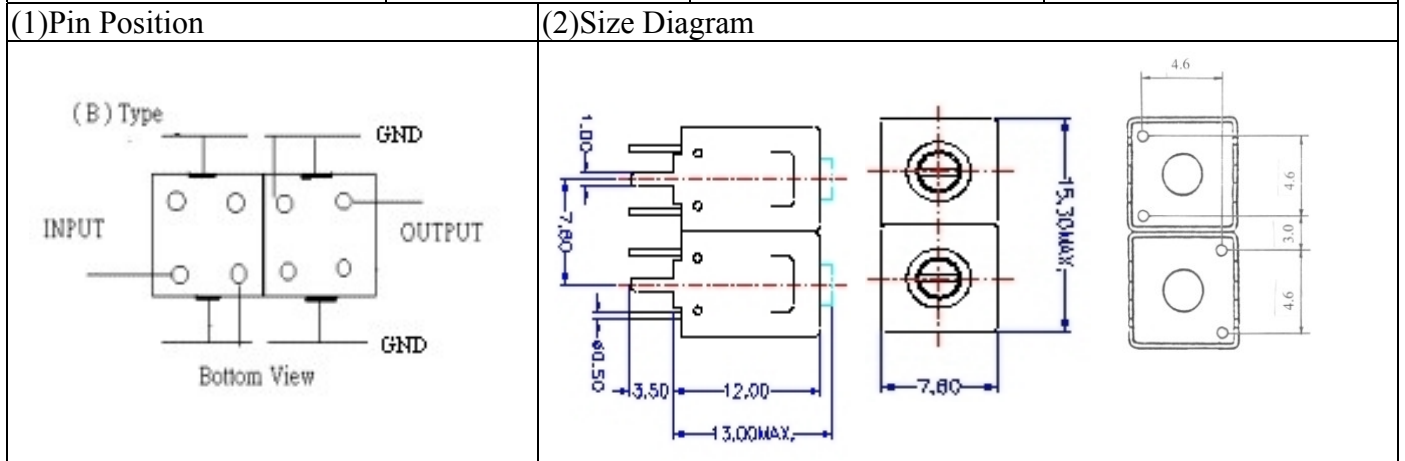


VHF UHF Helical Filter Specification Sheet

Customer Name		Temwell's Part No.	TD67753B-725M-30M
Approval No. /dated	20507121APR	Temwell's print Name	
Work Instruction No.	20507121DC	Date	Aug.03.2005



(3) Electric Character

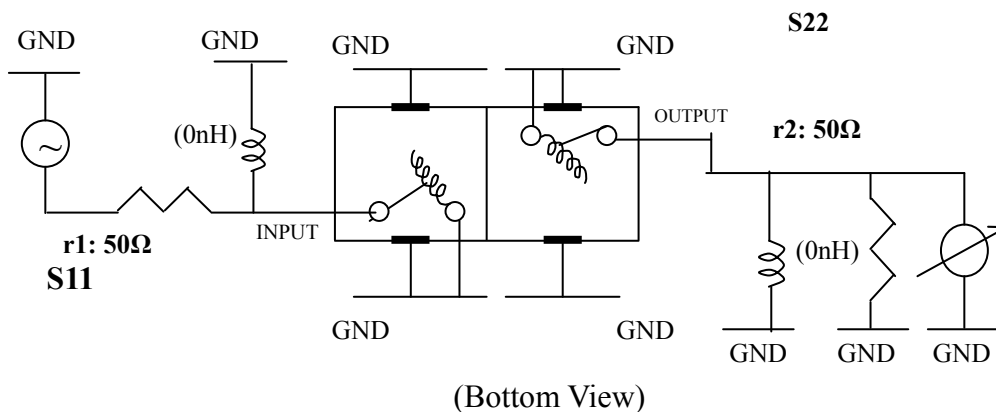
Item	Specify	Performance	
Center Freq.(Fo) +/- 0.5 %	725 MHz	725 MHz	
Tunable Range	725±5 MHz	725±5 MHz	
Insertion Loss	Typ. 2.0 dB	1.17 dB	
-3 dB Bandwidth	Typ. 30 MHz	36.6 MHz	
Sensitivity (Attenuation)	Fo - 100 MHz	Typ. 30 dBc	33 dBc
	Fo + 100 MHz	Typ. 21 dBc	24 dBc
	Fo - ()MHz	Typ. dBc	dBc
	Fo +()MHz	Typ. dBc	dBc
Return Loss	Min. 12 dB	35.8 dB	
Ripple	< 1 dB	dB	
Impedance	In / Out : 50 Ω	In / Out : 50 Ω	
(4) Torque for Tuning Screw	> 100gf · cm		

(5) Temperature Condition:

Operating Temperature	0°C ~ +60°C
Storage Temperature	-20°C ~ +70°C

(6) Input Power > 1Watt

(7) Measuring Circuit: ※Easy to match Impedance 50Ω/75Ω by parallel with about (0 nH)



Approval	Supervisor	Designer	Aperture size
C.Y. Chang	C.S. Chang	W.W. Wang	7H2S(4*6.5)F 7H046RB4

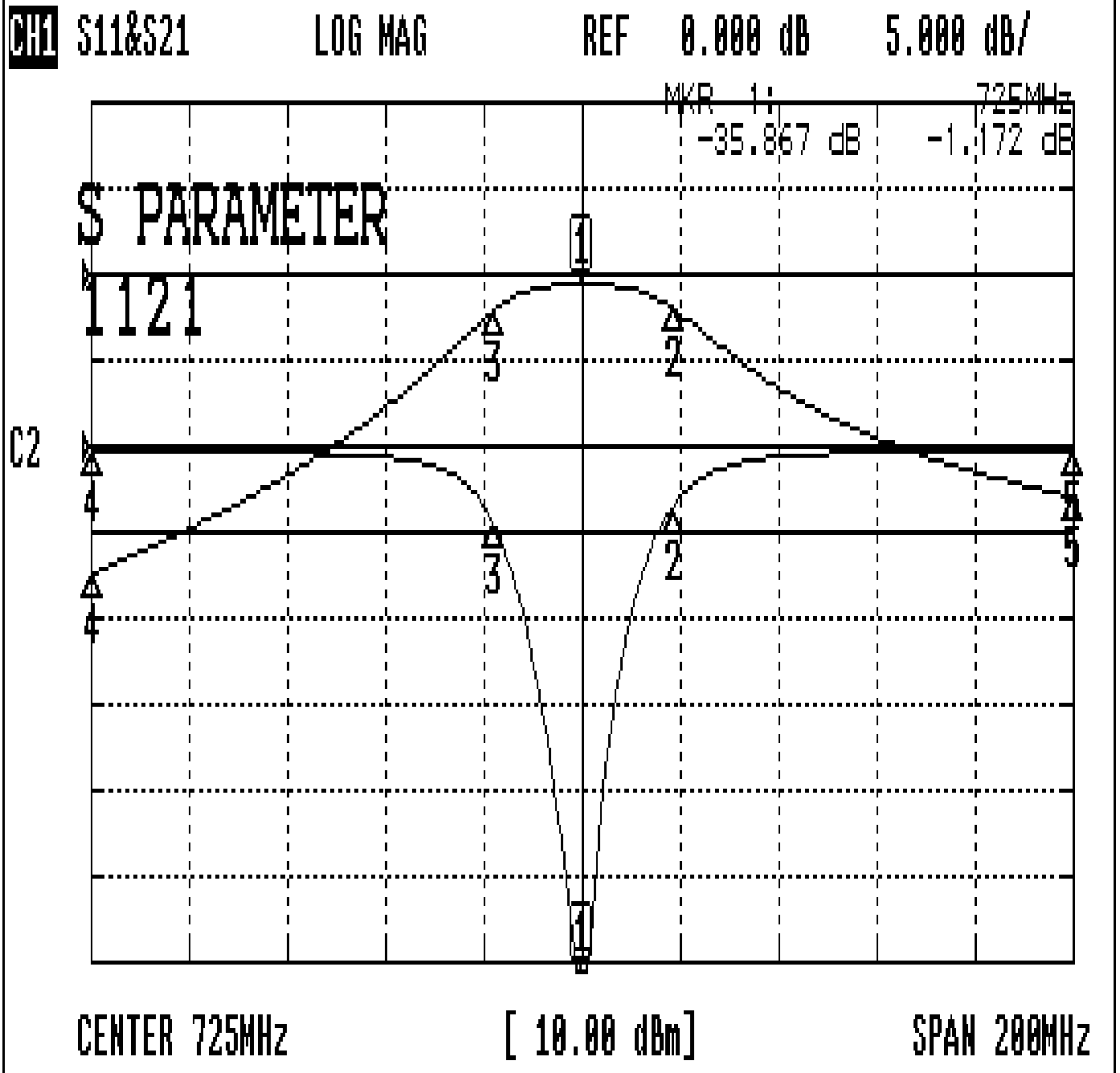
TEMWELL CORPORATION

TEMWELL

Form10-7H2B Vision D

Performance-TD67753B-725M-30M

20507121DC



CH1 MARKER LIST

1:	725.000MHz	-35.867 dB	-1.172 dB
2:	743.666MHz	-3.465 dB	-4.047 dB
3:	707.000MHz	-4.405 dB	-4.220 dB
4:	625.000MHz	-0.242 dB	-34.686 dB
5:	825.000MHz	-0.245 dB	-25.882 dB