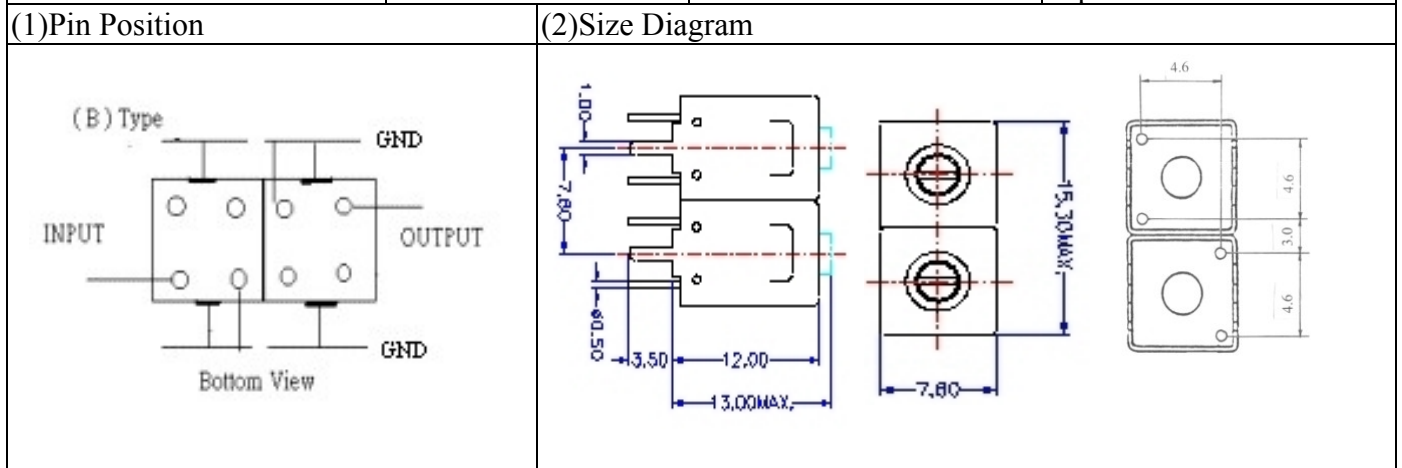


VHF UHF Helical Filter Specification Sheet

Customer Name		Temwell's Part No.	TD67752B-675M
Approval No. /dated	20507120APR	Acceptable Specify Fo Range	661~700 MHz
Work Instruction No.	20507120DC	Date	Sep.07.2006



(3) Electric Character

Item	Specify	Performance	
Center Freq.(Fo) +/- 0.5 %	675 MHz	675 MHz	
Tunable Range	675±5 MHz	675±5 MHz	
Insertion Loss	Typ. 2.5 dB	0.99 dB	
-3 dB Bandwidth	Typ. 34 MHz	37.7 MHz	
Sensitivity (Attenuation)	Fo - 100 MHz	Typ. 32 dBc	36 dBc
	Fo + 100 MHz	Typ. 22 dBc	26 dBc
	Fo - ()MHz	Typ. dBc	dBc
	Fo +()MHz	Typ. dBc	dBc
Return Loss	Min. 12 dB	24.2 dB	
Ripple	< 1 dB	dB	
Impedance	In / Out : 50 Ω	In / Out : 50 Ω	

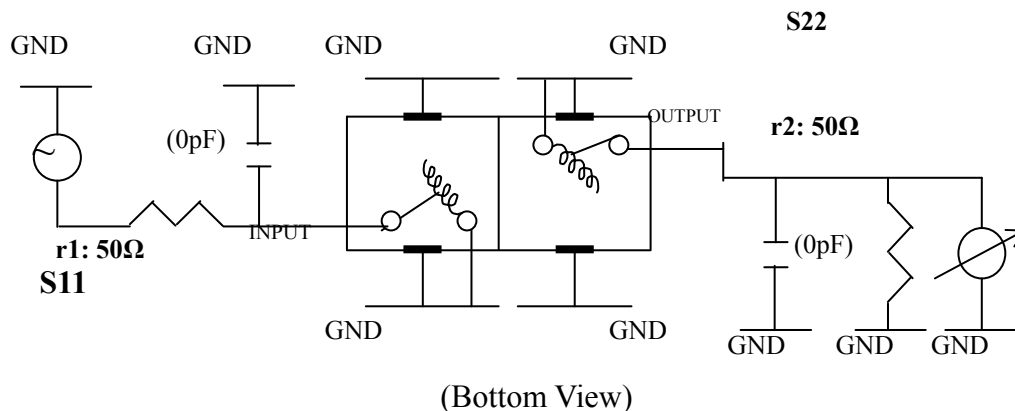
(4) Torque for Tuning Screw > 100gf · cm

(5) Temperature Condition:

Operating Temperature	0°C ~ +60°C
Storage Temperature	-20°C ~ +70°C

(6) Input Power > 1Watt

(7) Measuring Circuit: ※Easy to match Impedance 50Ω by parallel with about (0) pF.



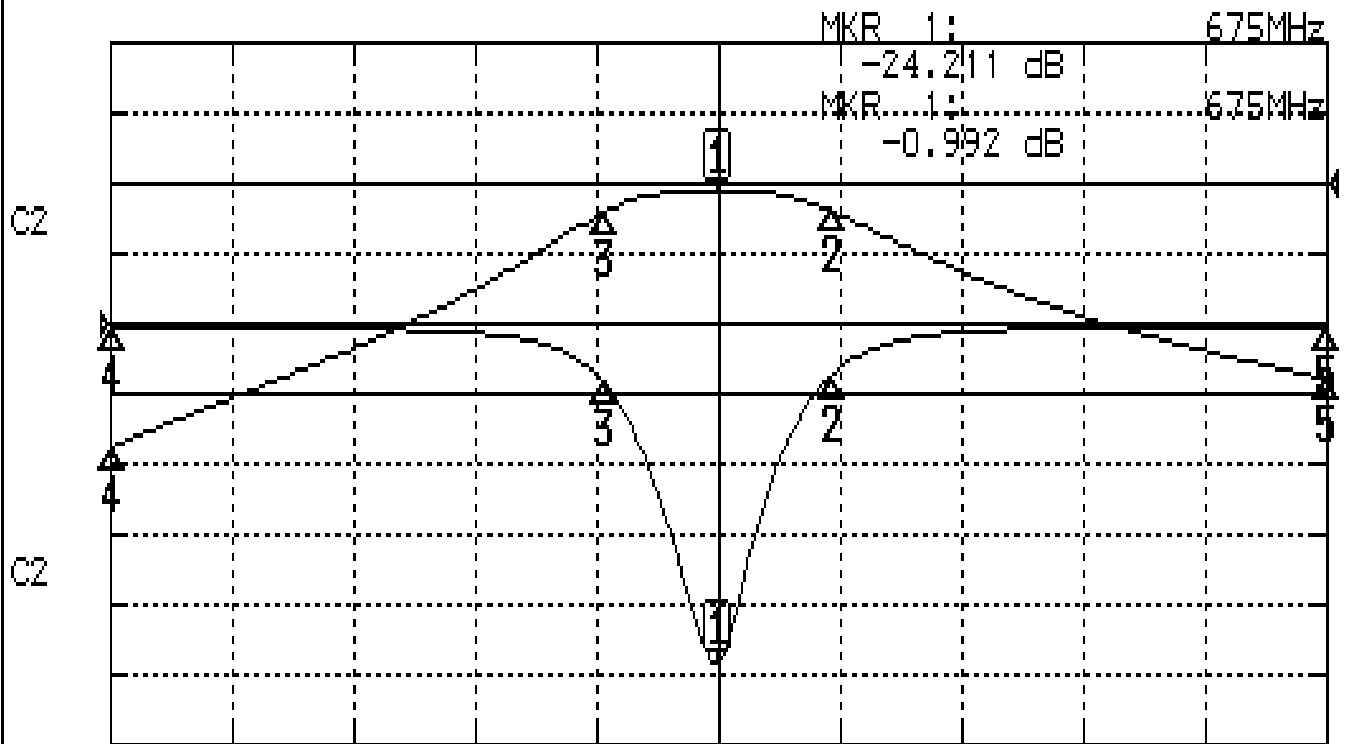
Approval	Supervisor	Designer	Aperture size
C.Y.Chang	C.S.Chang	W.W.Wang	7H2(4*8.0)F 7H046RB4

TEMWELL CORPORATION

Performance-TD67752B-675M

20507120DC

CH1 S11 LOG MAG REF 0.000 dB 5.000 dB/
CH2 S21 LOG MAG REF 0.000 dB 10.000 dB/



CENTER 675MHz

[10.00 dBm]

SPAN 200MHz

CH1 MARKER LIST

Marker	Frequency (MHz)	Magnitude (dB)
1	675.000	-24.211
2	693.833	-3.550
3	656.166	-4.119
4	575.000	-0.254
5	775.000	-0.263

CH2 MARKER LIST

Marker	Frequency (MHz)	Magnitude (dB)
1	675.000	-0.990
2	693.833	-4.013
3	656.166	-4.075
4	575.000	-27.547
5	775.000	-27.731