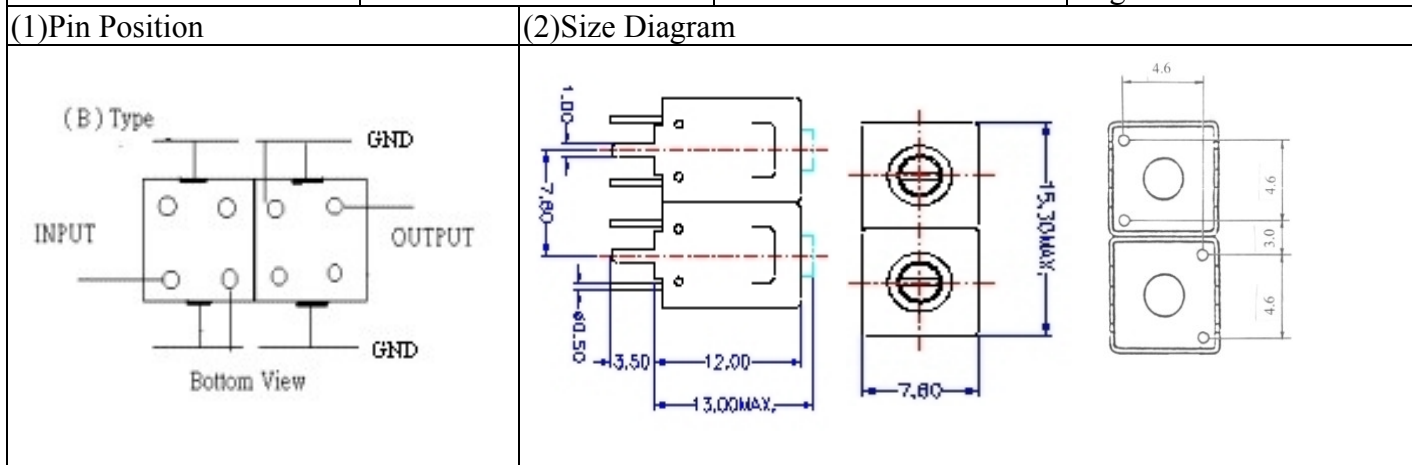


VHF UHF Helical Filter Specification Sheet

Customer Name		Temwell's Part No.	TD67749B-1140M
Approval No. /dated	20507117APR	Temwell's Print Name	
Work Instruction No.	20507117DC	Date	Aug.15.2005



(3) Electric Character

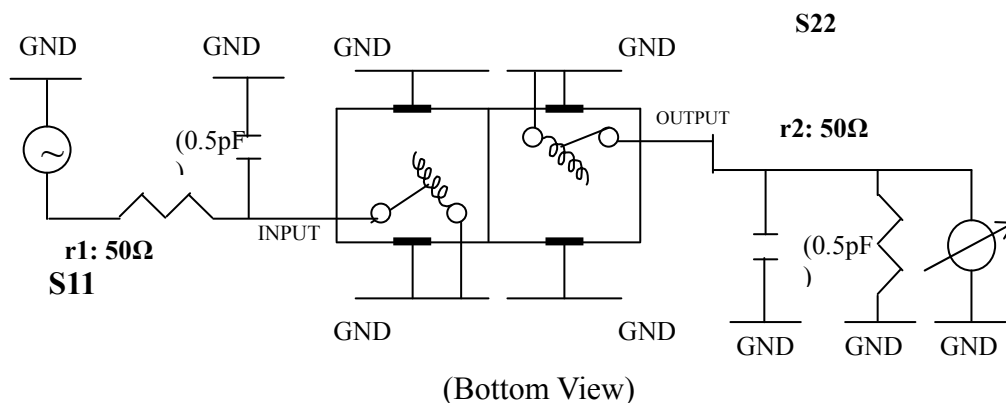
Item	Specify	Performance	
Center Freq.(Fo) +/- 0.5 %	1140 MHz	1140 MHz	
Tunable Range	1140±10 MHz	1140±10 MHz	
Insertion Loss	Typ. 3.0 dB	2.02 dB	
-3 dB Bandwidth	Typ. 28 MHz	34.0 MHz	
Sensitivity (Attenuation)	Fo - 50 MHz	Typ. 15 dBc	18 dBc
	Fo + 50 MHz	Typ. 13 dBc	16 dBc
	Fo - ()MHz	Typ. dBc	dBc
	Fo + ()MHz	Typ. dBc	dBc
Return Loss	Min. 12 dB	23.1 dB	
Ripple	< 1 dB	dB	
Impedance	In / Out : 50 Ω	In / Out : 50 Ω	
(4) Torque for Tuning Screw	>1060gf · cm		

(5) Temperature Condition:

Operating Temperature	0°C ~ +60°C
Storage Temperature	-20°C ~ +70°C

(6) Input Power > 1Watt

(7) Measuring Circuit: ※Easy to match Impedance 50Ω by parallel with about (0.5) pF.

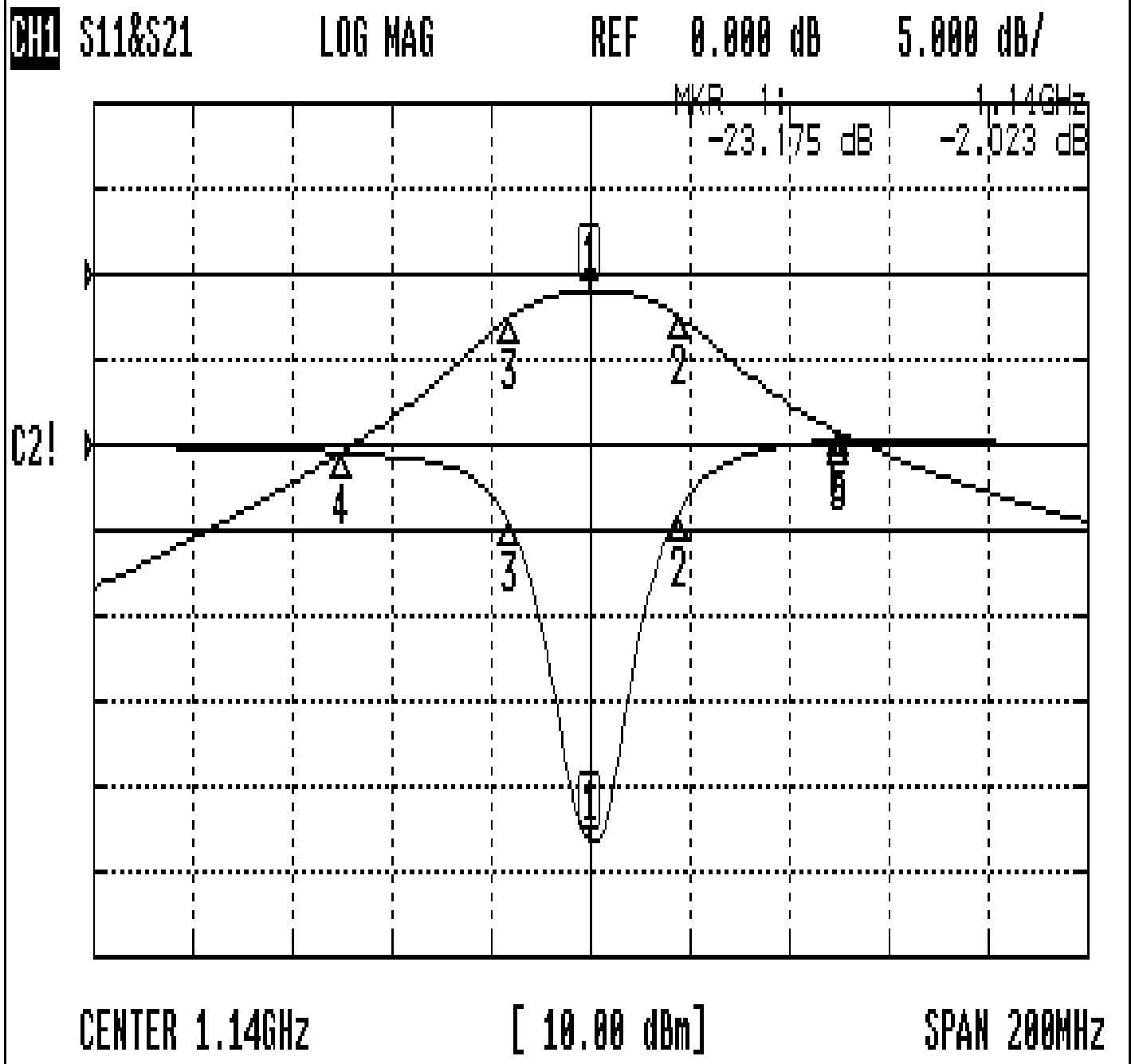


Approval	Supervisor	Designer	Aperture size
C.Y. Chang	C.S. Chang	C.S. Chang	7H2S(4*5.5) 7H046RB4

TEMWELL CORPORATION

Performance-TD67749B-1140M

20507117DC



CH1 MARKER LIST

1:	1.140 000GHz	-23.175 dB	-2.023 dB
2:	1.157 833GHz	-3.989 dB	-5.838 dB
3:	1.123 833GHz	-4.560 dB	-5.844 dB
4:	1.090 000GHz	-8.477 dB	-28.878 dB
5:	1.190 000GHz	0.251 dB	-18.536 dB