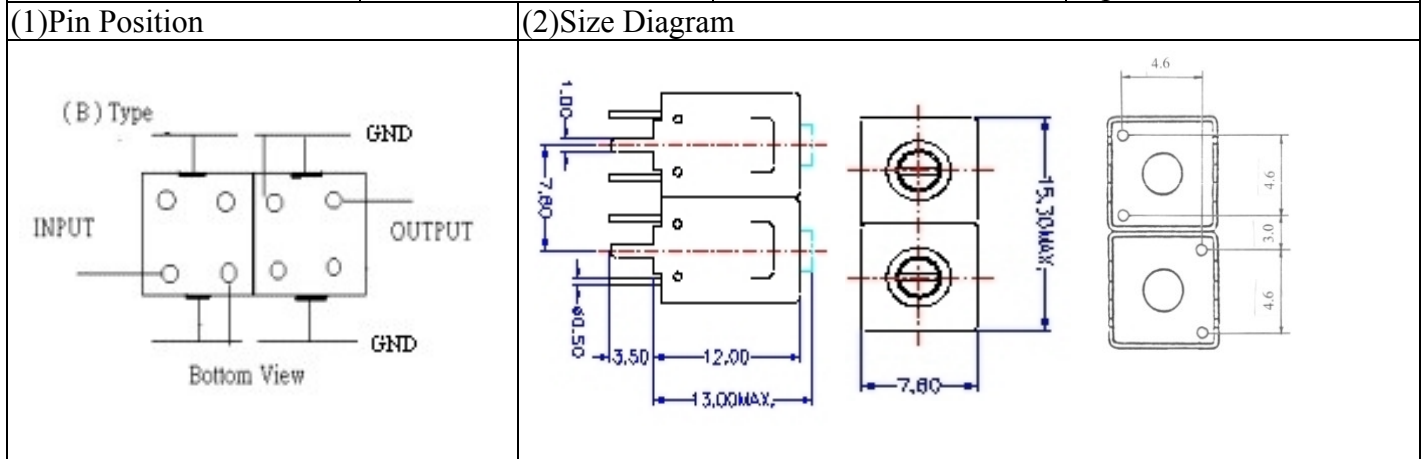


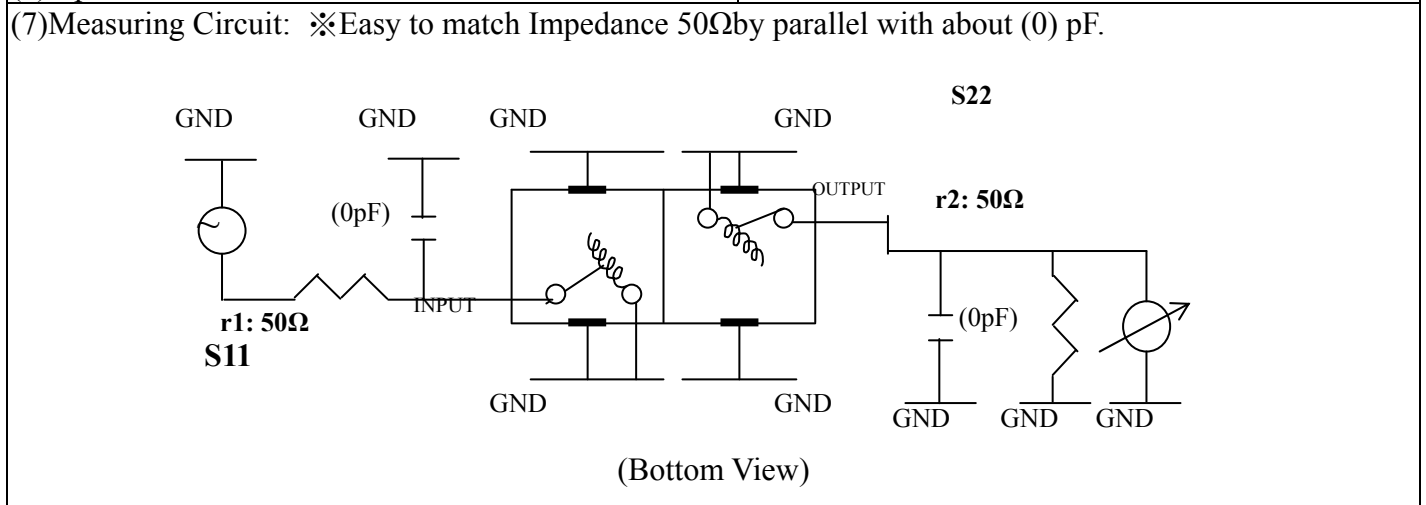
VHF UHF Helical Filter Specification Sheet

Customer Name		Temwell's Part No.	TD67748B-915M
Approval No. /dated	20507116APR	Temwell's Print Name	67748B 915M
Work Instruction No.	20507116DC	Date	Sep.05.2005



(3) Electric Character					
Item		Specify		Performance	
Center Freq.(Fo) +/- 0.5 %		915 MHz		915 MHz	
Tunable Range		Typ 915±10 MHz		915±10 MHz	
Insertion Loss		Typ. 2.5 dB		1.57 dB	
-3 dB Bandwidth		Typ. 26 MHz		30.8 MHz	
Sensitivity (Attenuation)	Fo - 100 MHz	Typ. 31 dBc		34 dBc	
	Fo + 100 MHz	Typ. 26 dBc		29 dBc	
	Fo - ()MHz	Typ. dBc		dBc	
	Fo + ()MHz	Typ. dBc		dBc	
Return Loss		Min. 12 dB		31.5 dB	
Ripple		< 1 dB		dB	
Impedance		In / Out : 50 Ω		In / Out : 50 Ω	
(4) Torque for Tuning Screw		> 100gf · cm			

(5) Temperature Condition:	
Operating Temperature	0°C ~ +60°C
Storage Temperature	-20°C ~ +70°C
(6) Input Power	> 1Watt

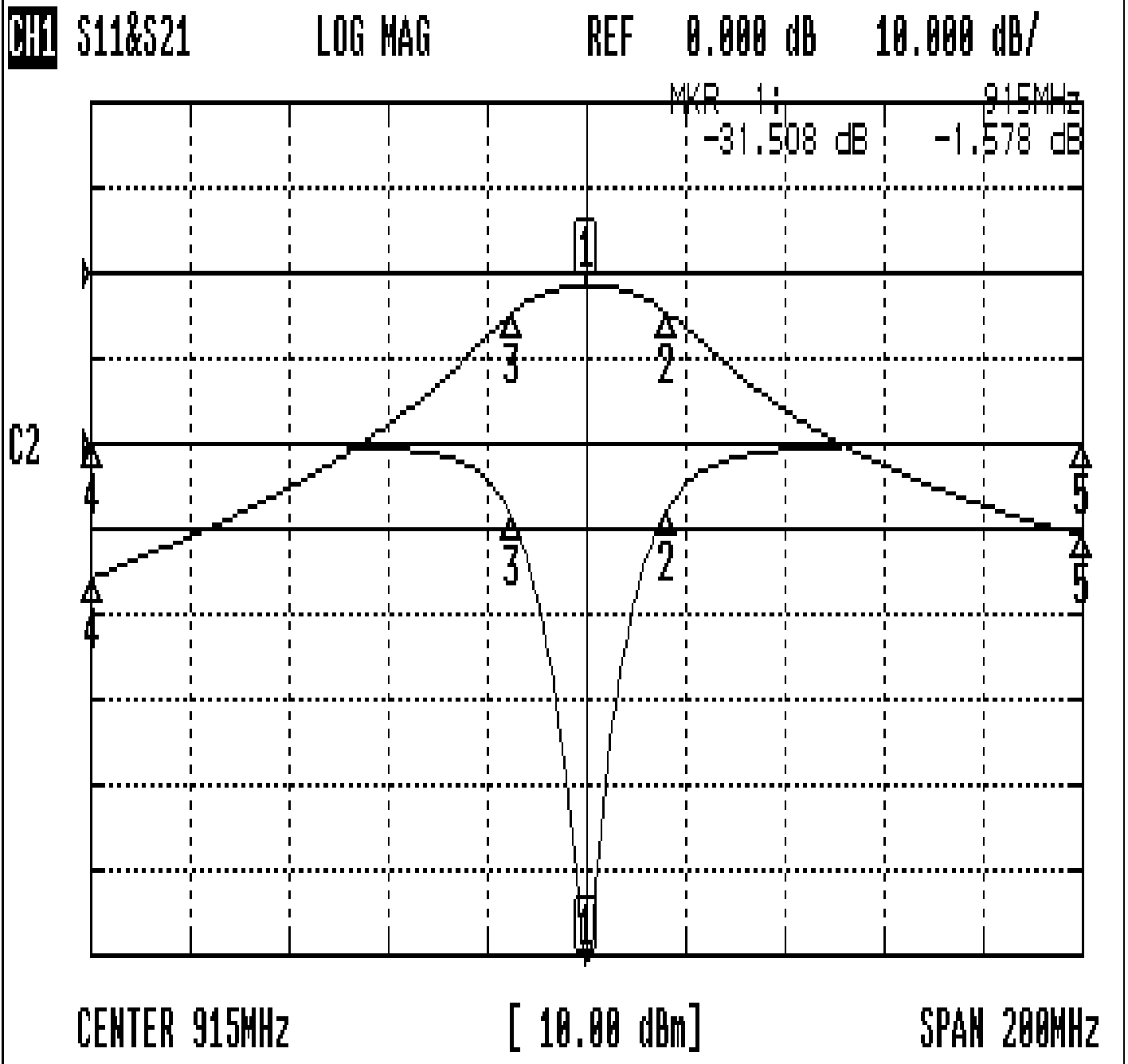


Approval	Supervisor	Designer	Aperture size
C.Y. Chang	C.S. Chang	W.W. Wang	7H2, (04*7.35)(7.39) 7H046RB4

TEMWELL CORPORATION

Performance-TD67748B-915M

20507116DC



CH1 MARKER LIST

1:	915.000MHz	-31.508 dB	-1.578 dB
2:	931.000MHz	-4.070 dB	-4.549 dB
3:	900.166MHz	-4.410 dB	-4.524 dB
4:	815.000MHz	-0.003 dB	-35.734 dB
5:	1.015 000GHz	0.045 dB	-30.752 dB