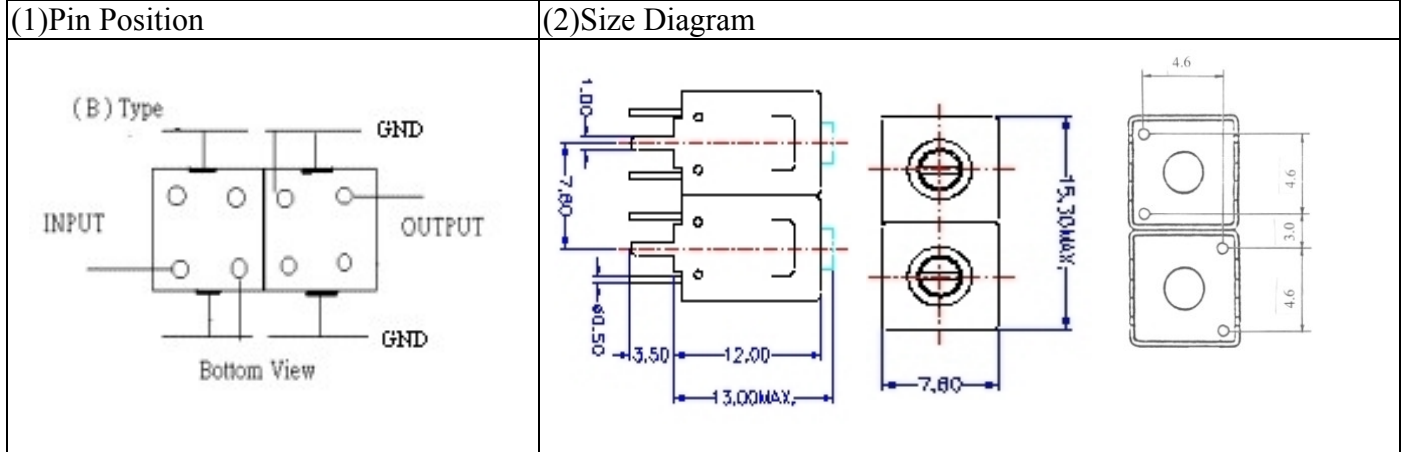


# VHF UHF Helical Filter Specification Sheet

Customer Name		Temwell's Part No.	TD67742B-675M
Approval No. /dated	20507110APR	Temwell's Print Name	67742B 675M
Work Instruction No.	20507110DC	Date	Aug.02.2005



(3) Electric Character

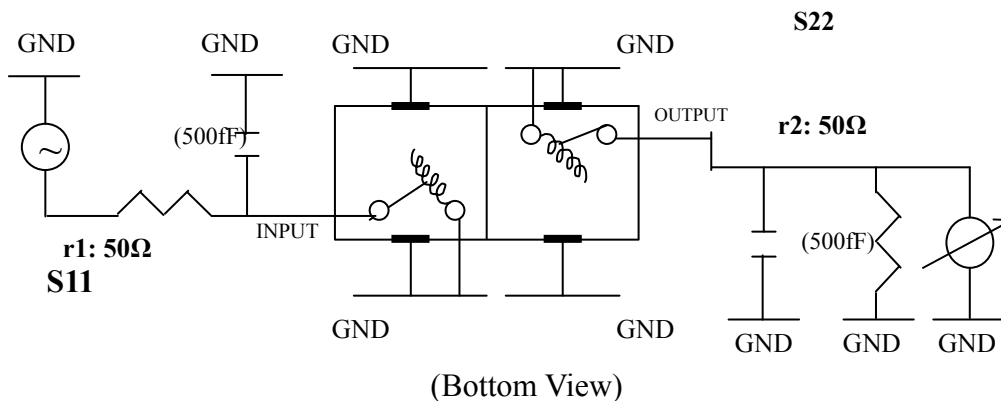
Item	Specify	Performance	
Center Freq.(Fo ) +/- 0.5 %	675 MHz	675 MHz	
Tunable Range	675±5 MHz	675±5 MHz	
Insertion Loss	Typ. 2.5 dB	1.24 dB	
-3 dB Bandwidth	Typ. 20 MHz	28.9 MHz	
Sensitivity (Attenuation)	Fo - 100 MHz	Typ. 38 dBc	41 dBc
	Fo + 100 MHz	Typ. 26 dBc	29 dBc
	Fo - ( )MHz	Typ. dBc	dBc
	Fo +( )MHz	Typ. dBc	dBc
Return Loss	Min. 12 dB	21.2 dB	
Ripple	< 1 dB	dB	
Impedance	In / Out : 50 Ω	In / Out : 50 Ω	
(4) Torque for Tuning Screw	> 100gf · cm		

(5) Temperature Condition:

Operating Temperature	0°C ~ +60°C
Storage Temperature	-20°C ~ +70°C

(6) Input Power

(7) Measuring Circuit: ※Easy to match Impedance 50Ω by parallel with about ( 500 ) fF.

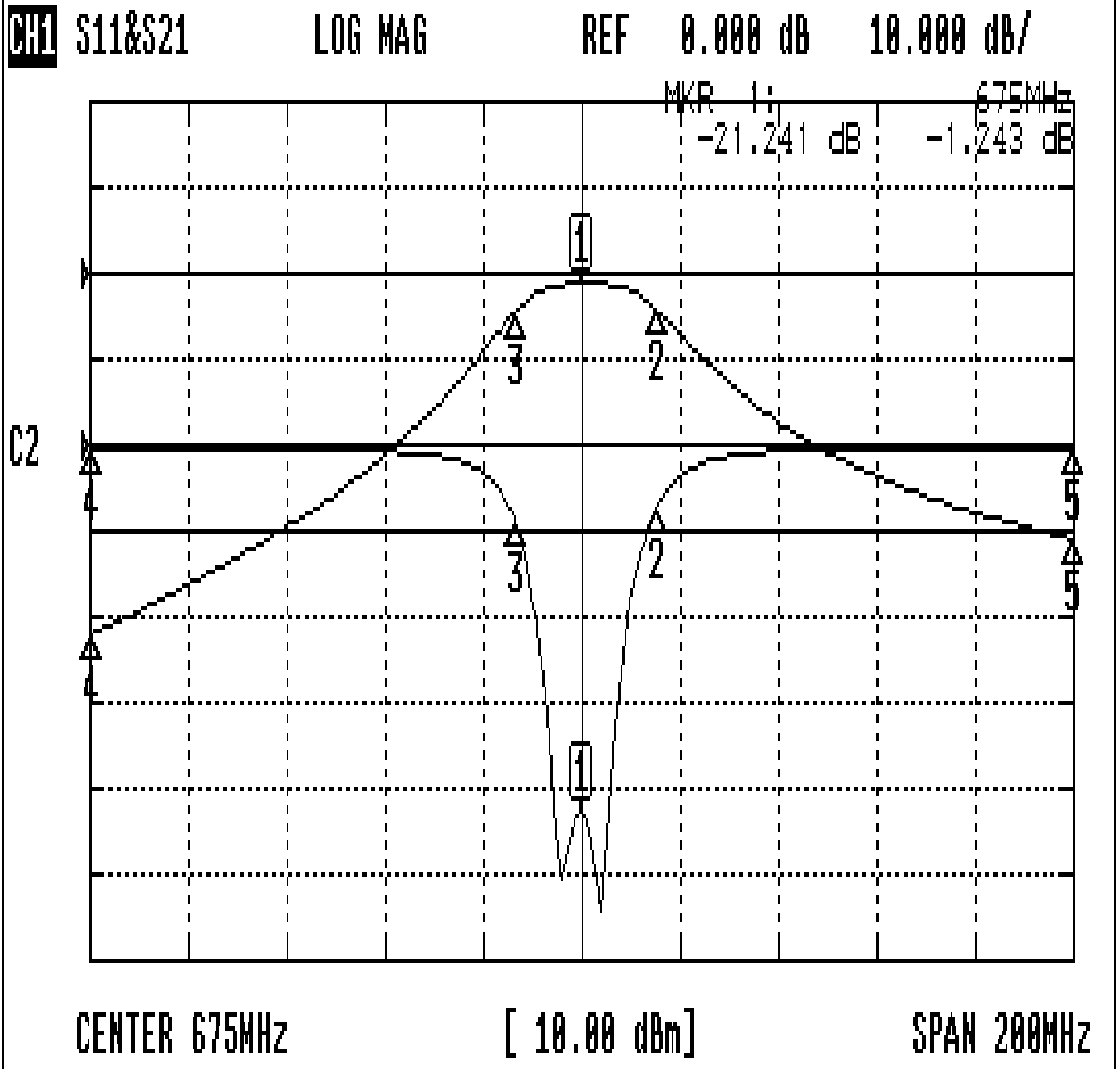


Approval	Supervisor	Designer	Aperture size
C.Y. Chang	C.S. Chang	J.F. Lin	7H2S(4*5.5)(5.62) 7H046RB4

TEMWELL CORPORATION

# Performance-TD67742B-675M

## 20507110DC



### CH1 MARKER LIST

1:	675.000MHz	-21.241 dB	-1.243 dB
2:	690.500MHz	-3.544 dB	-4.260 dB
3:	661.666MHz	-4.562 dB	-4.258 dB
4:	575.000MHz	-0.178 dB	-42.053 dB
5:	775.000MHz	-0.191 dB	-30.903 dB