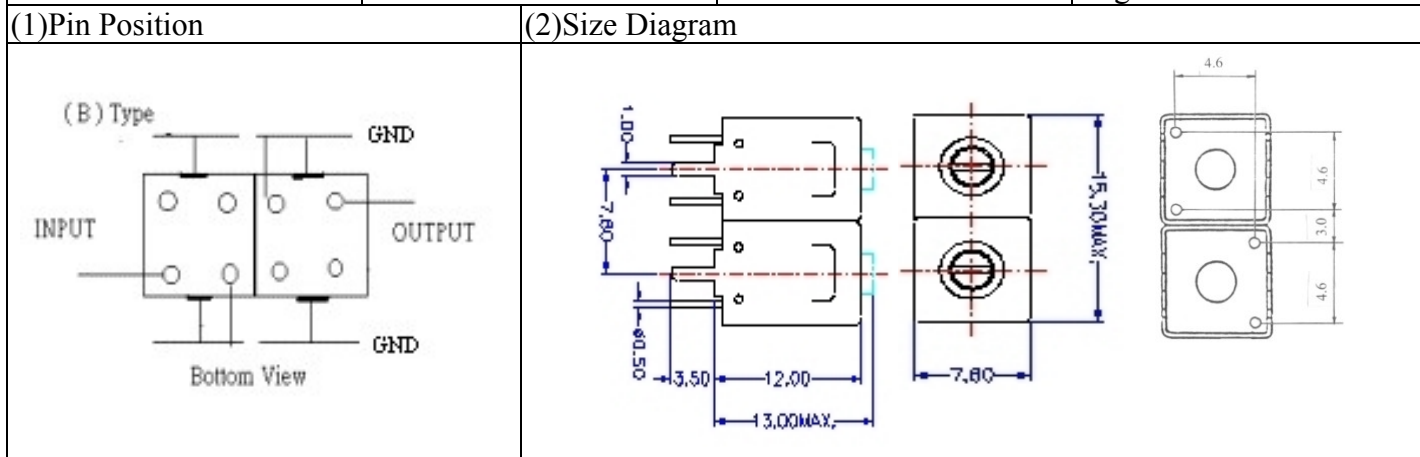


VHF UHF Helical Filter Specification Sheet

Customer Name		Temwell's Part No.	TD67740B-1215M
Approval No. /dated	20507108APR	Temwell's print Name	
Work Instruction No.	20507108DC	Date	Aug.24.2005



(3) Electric Character

Item	Specify	Performance	
Center Freq.(Fo) +/- 0.5 %	1215 MHz	1215 MHz	
Tunable Range	1215±10 MHz	1215±10 MHz	
Insertion Loss	Typ. 3.0 dB	1.94 dB	
-3 dB Bandwidth	Typ. 24 MHz	30..0 MHz	
Sensitivity (Attenuation)	Fo - 50 MHz	Typ. 17 dBc	20 dBc
	Fo + 50 MHz	Typ. 16 dBc	19 dBc
	Fo - ()MHz	Typ. dBc	dBc
	Fo + ()MHz	Typ. dBc	dBc
Return Loss	Min. 12 dB	27.1 dB	
Ripple	< 1 dB	dB	
Impedance	In / Out : 50 Ω	In / Out : 50 Ω	

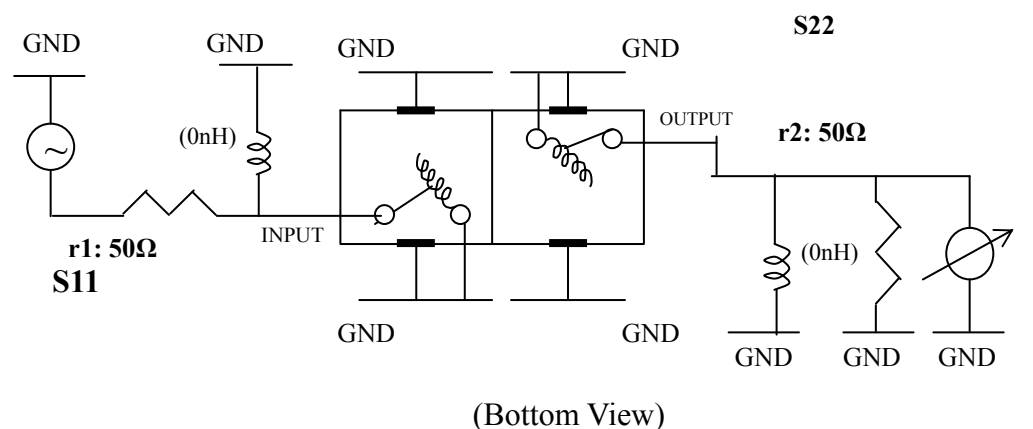
(4) Torque for Tuning Screw > 100gf · cm

(5) Temperature Condition:

Operating Temperature	0°C ~ +60°C
Storage Temperature	-20°C ~ +70°C

(6) Input Power > 1Watt

(7) Measuring Circuit: ※Easy to match Impedance 50Ω by parallel with about (0) nH

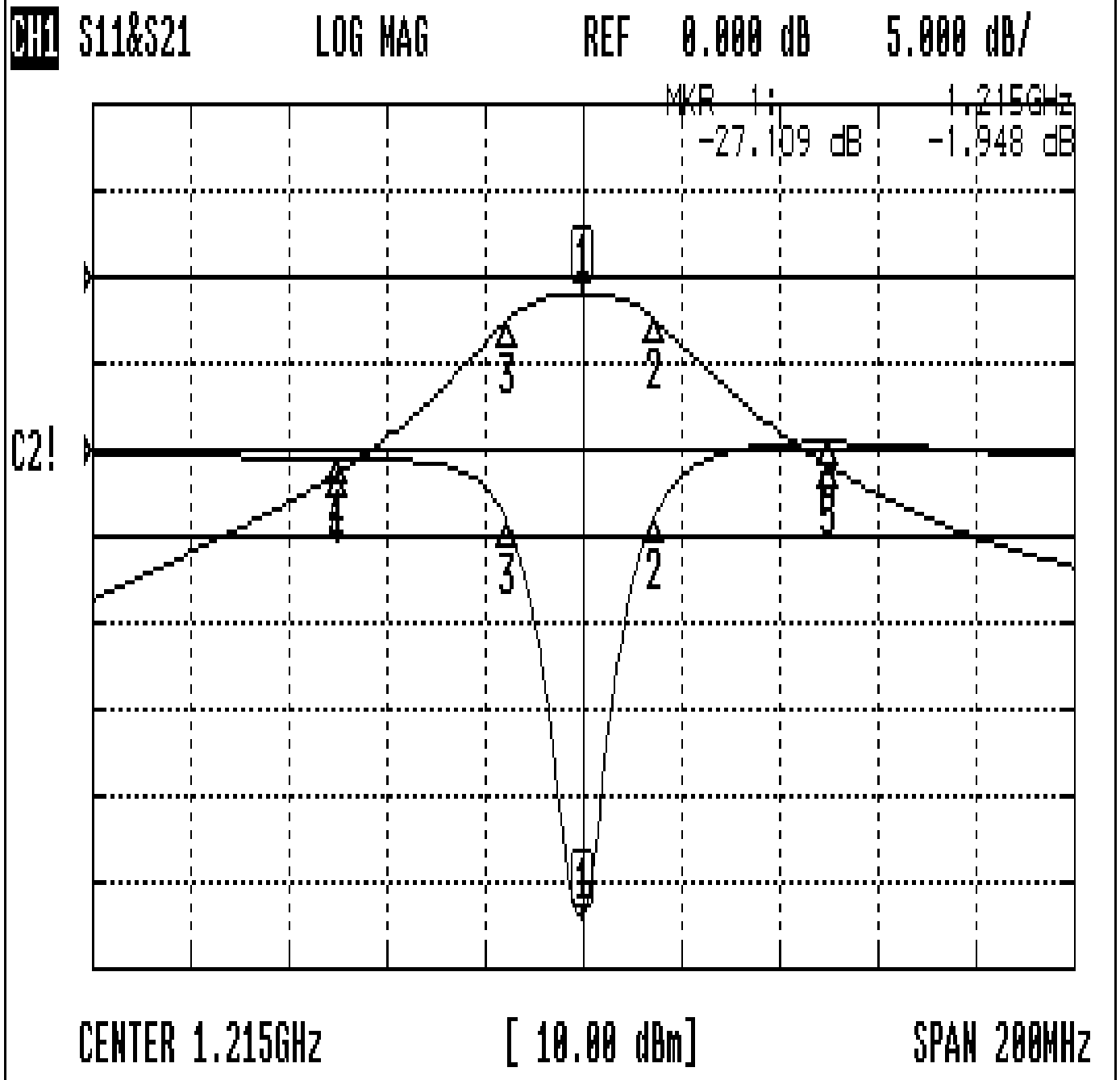


Approval	Supervisor	Designer	Aperture size
C.Y. Chang	C.S. Chang	C.S. Chang	7H2(4*5.5) 7H046RB4

TEMWELL CORPORATION

Performance-TD67740B-1215M

20507108DC



CH1 MARKER LIST

1:	1.215 000GHz	-27.109 dB	-1.948 dB
2:	1.229 833GHz	-3.696 dB	-4.975 dB
3:	1.199 833GHz	-4.282 dB	-4.950 dB
4:	1.165 000GHz	-0.535 dB	-22.615 dB
5:	1.265 000GHz	0.413 dB	-21.823 dB