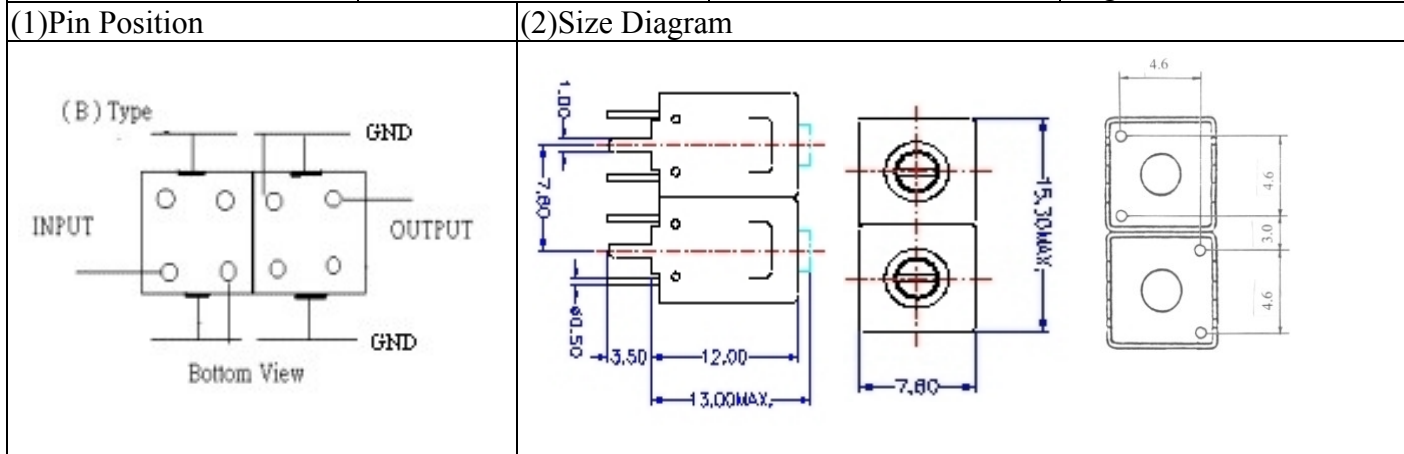


VHF UHF Helical Filter Specification Sheet

Customer Name		Temwell's Part No.	TD67739B-1140M
Approval No. /dated	20507107APR	Temwell's Print Name	
Work Instruction No.	20507107DC	Date	Aug.09.2005



(3) Electric Character

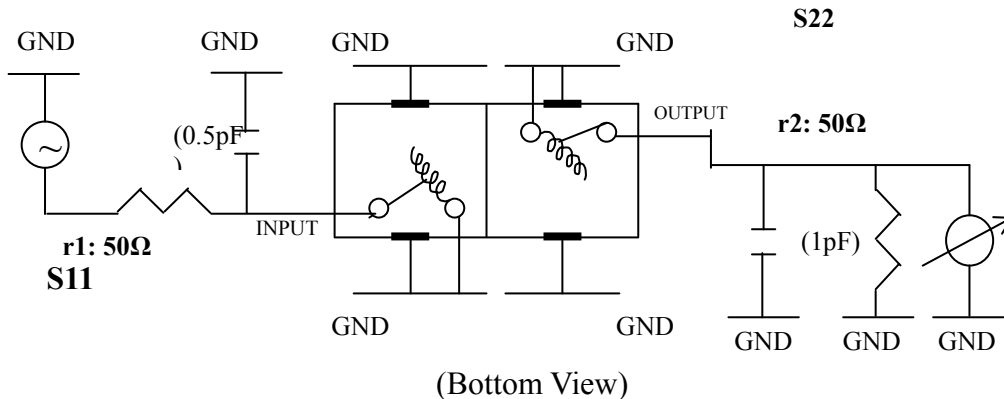
Item	Specify	Performance
Center Freq.(Fo) +/- 0.5 %	1140 MHz	1140 MHz
Tunable Range	1140±10 MHz	1140±10 MHz
Insertion Loss	Typ. 3.5 dB	2.48 dB
-3 dB Bandwidth	Typ. 20 MHz	26.6 MHz
Sensitivity (Attenuation)	Fo - 50 MHz	Typ. 20 dBc
	Fo + 50 MHz	Typ. 17 dBc
	Fo - ()MHz	Typ. dBc
	Fo +()MHz	Typ. dBc
Return Loss	Min. 12 dB	21.6 dB
Ripple	< 1 dB	
Impedance	In / Out : 50 Ω	In / Out : 50 Ω
(4) Torque for Tuning Screw	> 100gf • cm	

(5) Temperature Condition:

Operating Temperature	0°C ~ +60°C
Storage Temperature	-20°C ~ +70°C

(6) Input Power

(7) Measuring Circuit: ※Easy to match Impedance 50Ω by parallel with about 0.5pF/1pF.

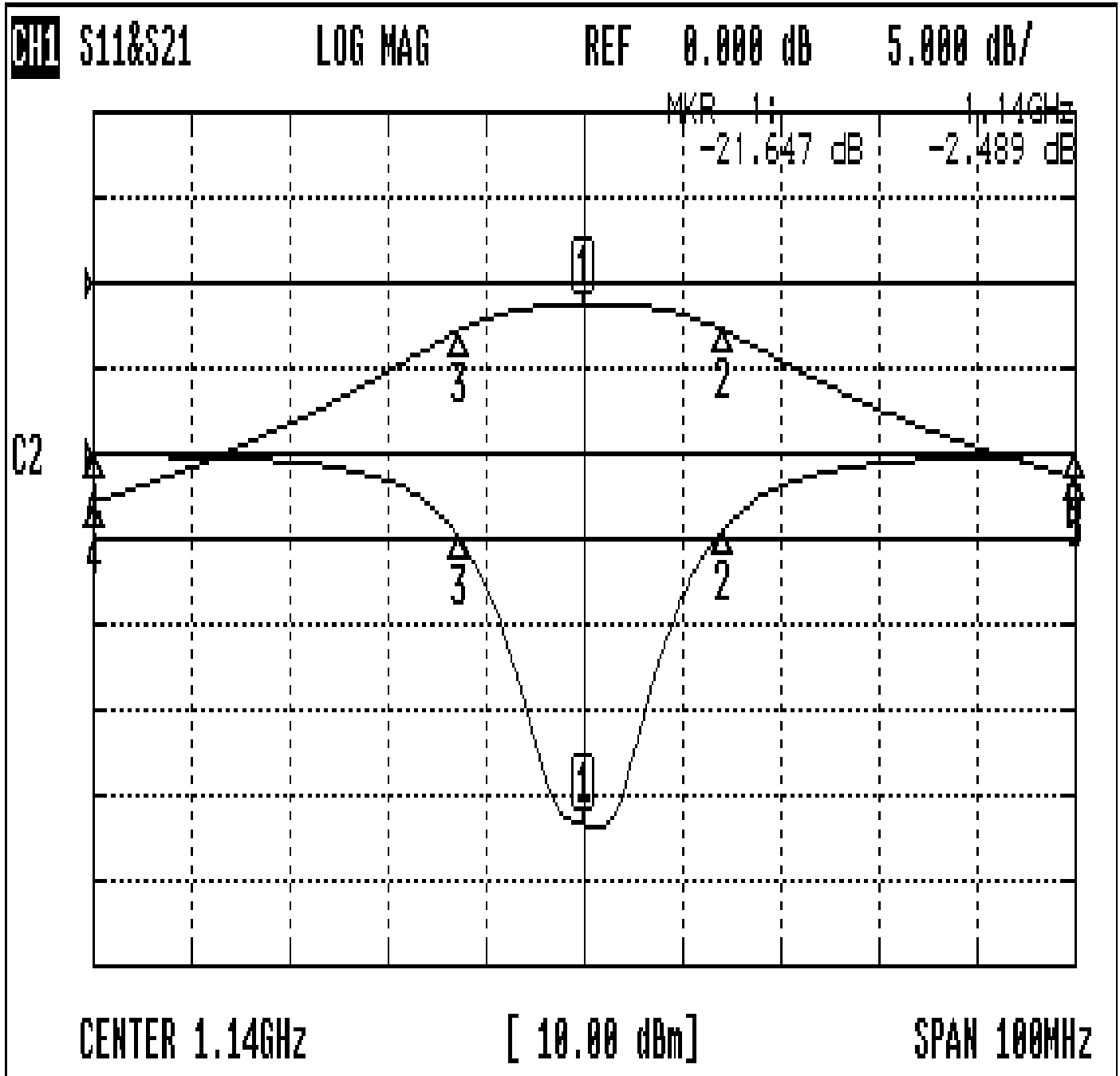


Approval	Supervisor	Designer	Aperture size
C.Y. Chang	C.S. Chang	C.S. Chang	7H2S(4*5.35) 7H046RB4

TEMWELL CORPORATION

Performance-TD67739B-1140M

20507107DC



CH1 MARKER LIST

1:	1.140 000GHz	-21.647 dB	-2.489 dB
2:	1.154 000GHz	-4.511 dB	-5.494 dB
3:	1.127 416GHz	-4.971 dB	-5.511 dB
4:	1.090 000GHz	-0.059 dB	-25.686 dB
5:	1.190 000GHz	-0.068 dB	-22.785 dB