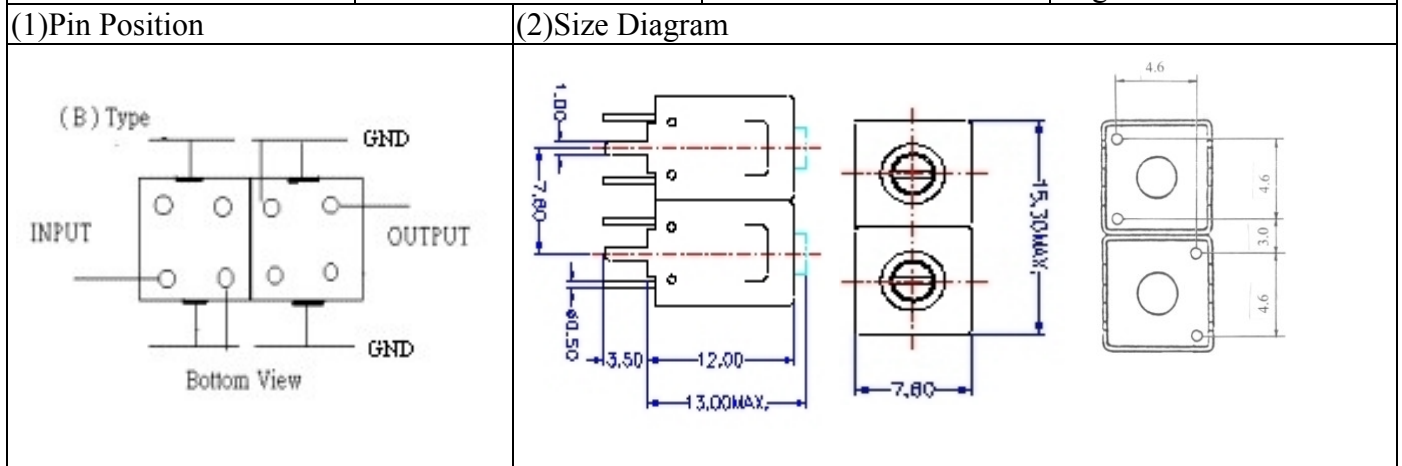


VHF UHF Helical Filter Specification Sheet

Customer Name		Temwell's Part No.	TD67735B-1215M
Approval No. /dated	20507103APR	Temwell's Print Name	
Work Instruction No.	20507103DC	Date	Aug.08.2005



(3) Electric Character

Item	Specify	Performance	
Center Freq.(Fo) +/- 0.5 %	1215 MHz	1215 MHz	
Tunable Range	1215±10 MHz	1215±10 MHz	
Insertion Loss	Typ. 3.0 dB	2.44 dB	
-3 dB Bandwidth	Typ. 20 MHz	27.0 MHz	
Sensitivity (Attenuation)	Fo - 50 MHz	Typ. 21 dBc	22 dBc
	Fo + 50 MHz	Typ. 16 dBc	19 dBc
	Fo - ()MHz	Typ. dBc	dBc
	Fo +()MHz	Typ. dBc	dBc
Return Loss	Min. 12 dB	34.4 dB	
Ripple	< 1 dB	dB	
Impedance	In / Out : 50 Ω	In / Out : 50 Ω	

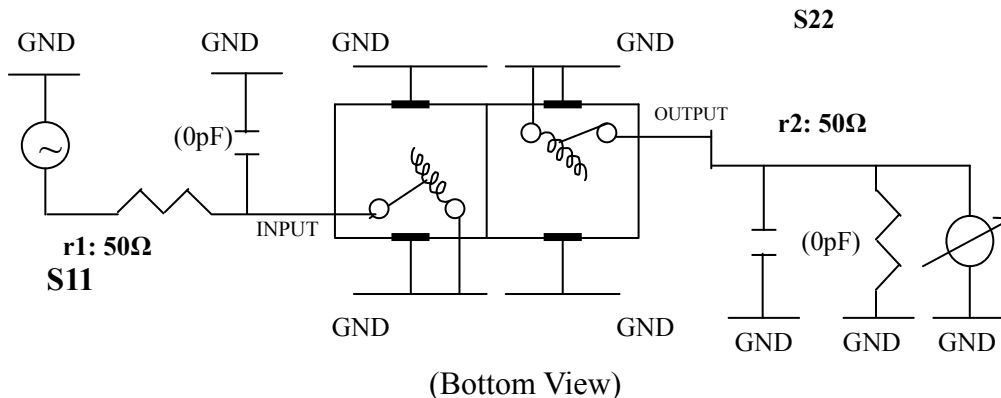
(4) Torque for Tuning Screw > 100gf · cm

(5) Temperature Condition:

Operating Temperature	0°C ~ +60°C
Storage Temperature	-20°C ~ +70°C

(6) Input Power > 1 Watt

(7) Measuring Circuit: ※Easy to match Impedance 50Ω by parallel with about (0) pF.

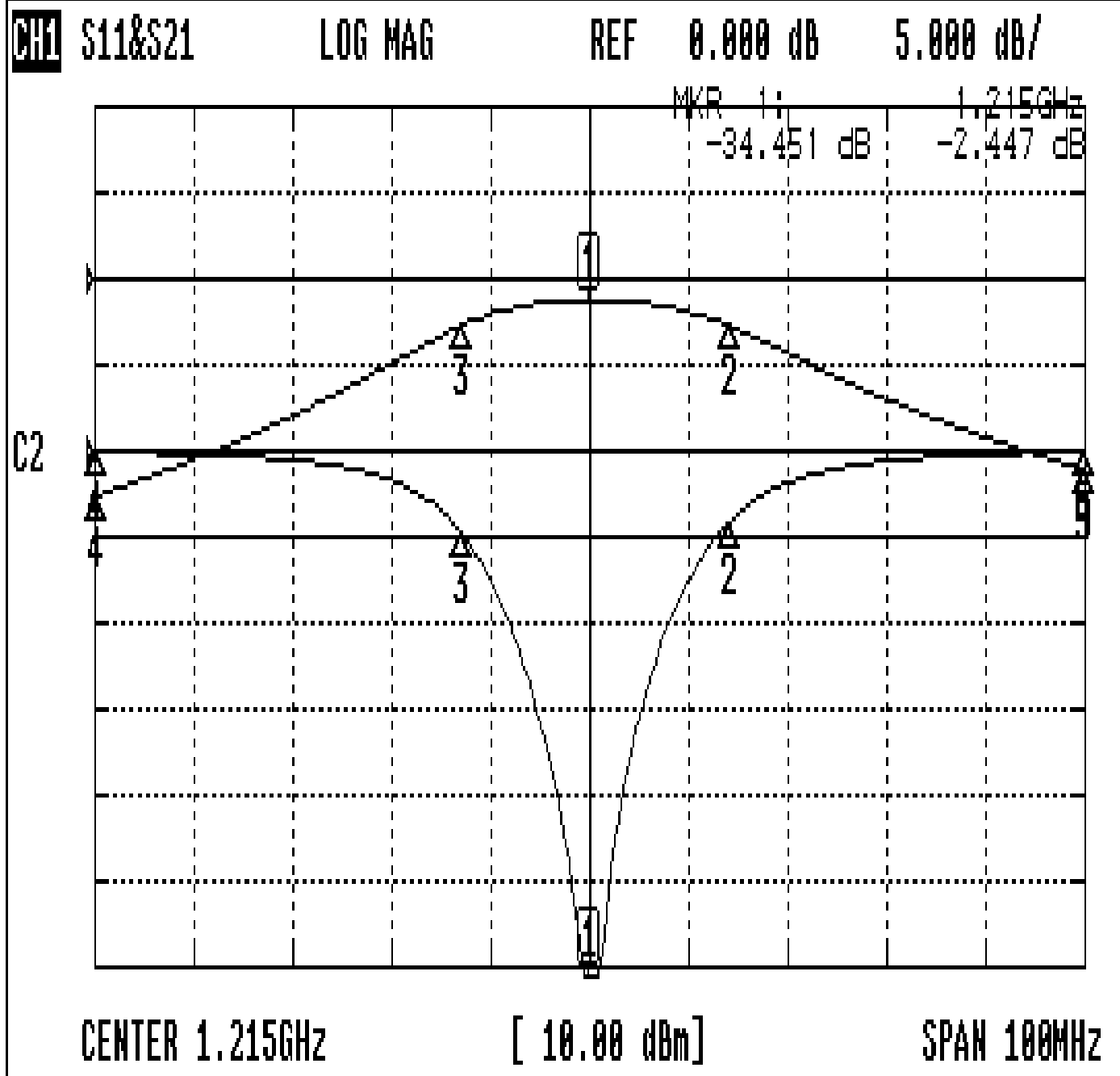


Approval	Supervisor	Designer	Aperture size
C.Y. Chang	C.S. Chang	C.S. Chang	7H2S(4*4.5) 7H046RB4

TEMWELL CORPORATION

Performance-TD67735B-1215M

20507103DC



CH1 MARKER LIST

1:	1.215 000GHz	-34.451 dB	-2.447 dB
2:	1.229 083GHz	-4.131 dB	-5.461 dB
3:	1.202 083GHz	-4.770 dB	-5.440 dB
4:	1.165 000GHz	-0.055 dB	-25.197 dB
5:	1.265 000GHz	-0.054 dB	-22.059 dB