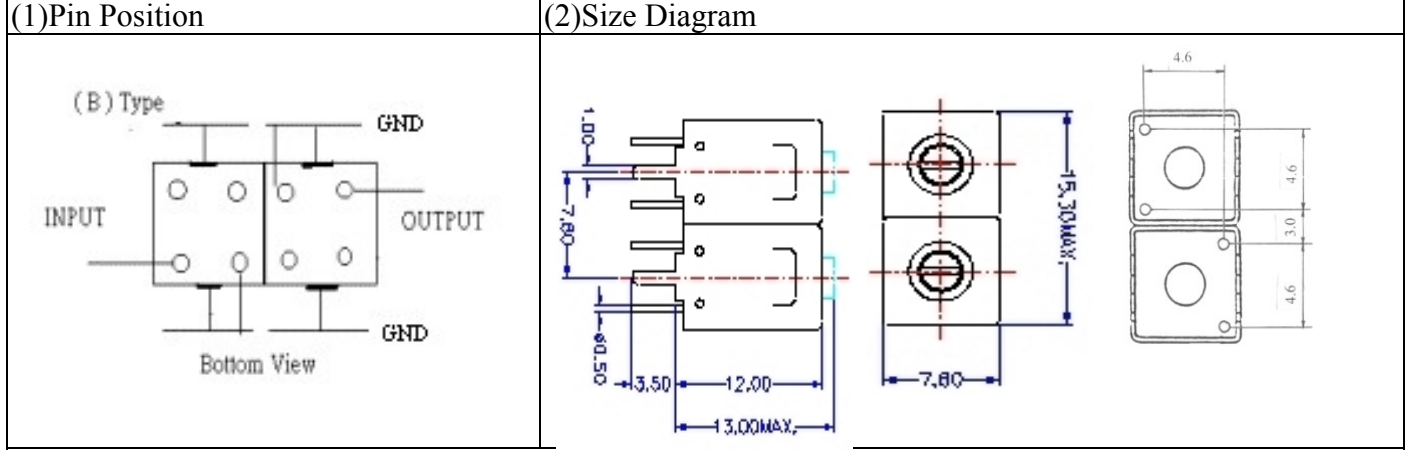


# VHF UHF Helical Filter Specification Sheet

Customer Name		Temwell's Part No.	TD67733B-1050M
Approval No. /dated	20507101APR	Temwell's print Name	
Work Instruction No.	20507101DC	Date	Aug.03.2005



(3) Electric Character

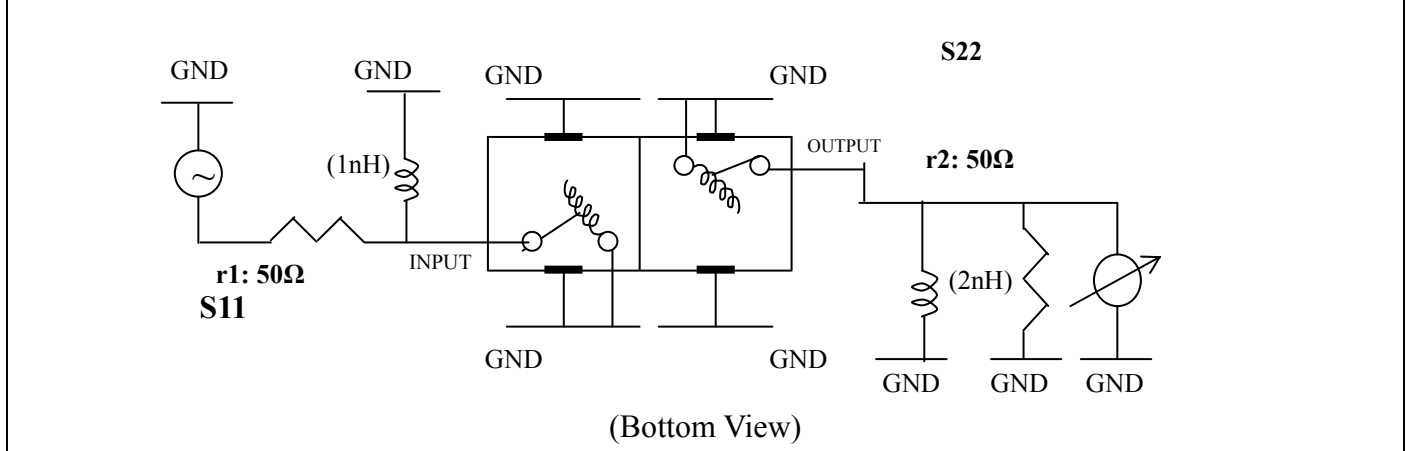
Item	Specify	Performance	
Center Freq.(Fo) +/- 0.5 %	1050 MHz	1050 MHz	
Tunable Range	1050±10 MHz	1050±10 MHz	
Insertion Loss	Typ. 4.5 dB	3.52 dB	
-3 dB Bandwidth	Typ. 15 MHz	20.2 MHz	
Sensitivity (Attenuation)	Fo - 50 MHz	Typ. 24 dBc	27 dBc
	Fo + 50 MHz	Typ. 20 dBc	23 dBc
	Fo - ( )MHz	Typ. dBc	dBc
	Fo +( )MHz	Typ. dBc	dBc
Return Loss	Min. 12 dB	23.3 dB	
Ripple	< 1 dB	dB	
Impedance	In / Out : 50 Ω	In / Out : 50 Ω	
(4) Torque for Tuning Screw	> 100gf · cm		

(5) Temperature Condition:

Operating Temperature	0°C ~ +60°C
Storage Temperature	-20°C ~ +70°C

(6) Input Power

(7) Measuring Circuit: ※Easy to match Impedance 50Ω by parallel with about (1) nH / (2)nH

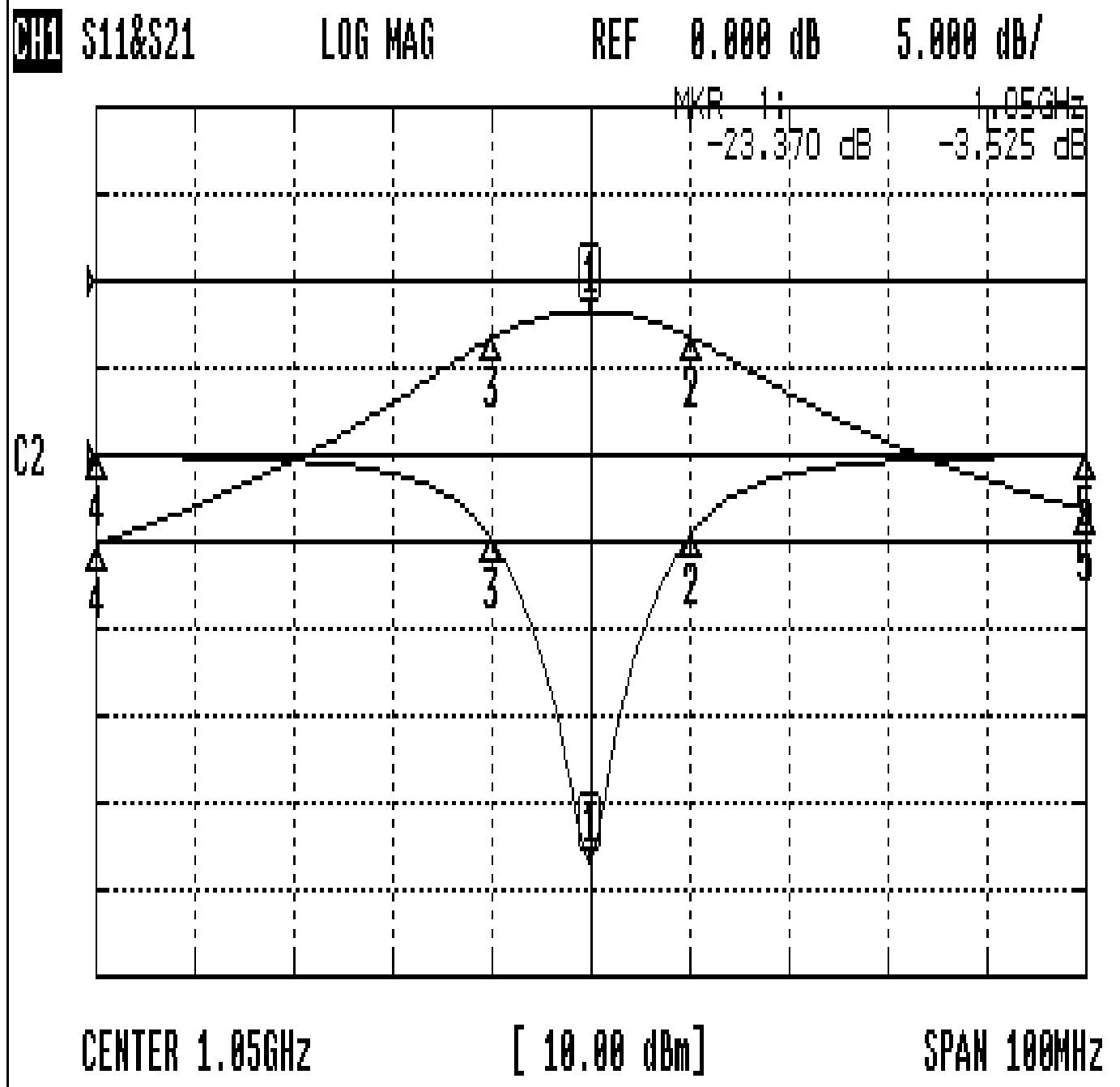


Approval	Supervisor	Designer	Aperture size
C.Y. Chang	C.S. Chang	C.S. Chang	7H2S(4*4.65) 7H046RB4

TEMWELL CORPORATION

# Performance-TD67733B-1050M

## 20507101DC



### CH1 MARKER LIST

1:	1.050 000GHz	-23.370 dB	-3.525 dB
2:	1.060 250GHz	-4.468 dB	-6.542 dB
3:	1.040 000GHz	-4.846 dB	-6.572 dB
4:	1.000 000GHz	-0.057 dB	-30.319 dB
5:	1.100 000GHz	-0.034 dB	-26.289 dB