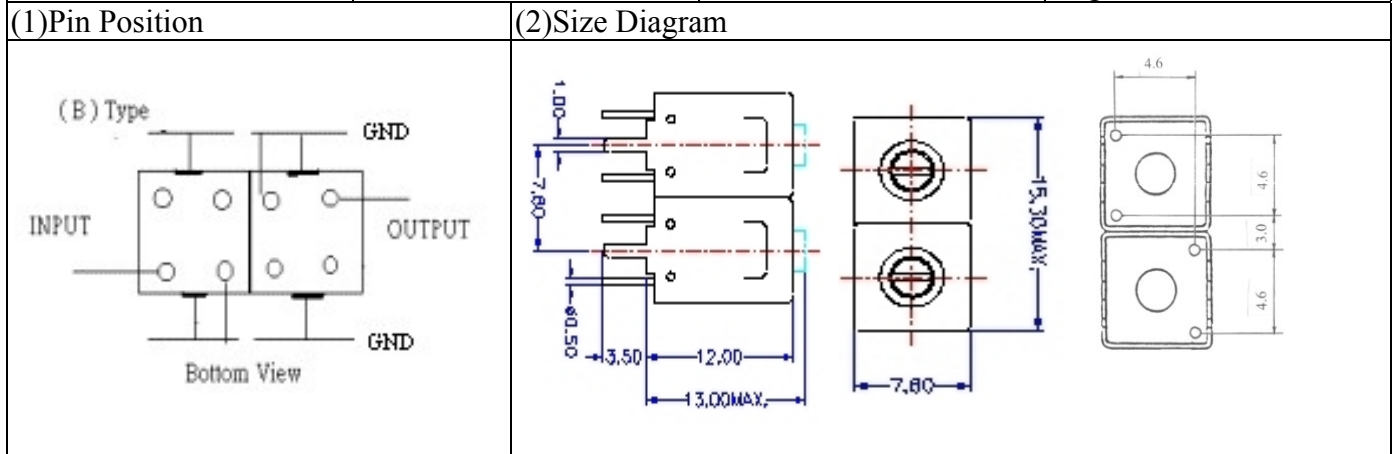


VHF UHF Helical Filter Specification Sheet

Customer Name		Temwell's Part No.	TD67732B-940M
Approval No. /dated	20507100APR	Temwell's Print Name	
Work Instruction No.	20507100DC	Date	Aug.08.2005



(3) Electric Character

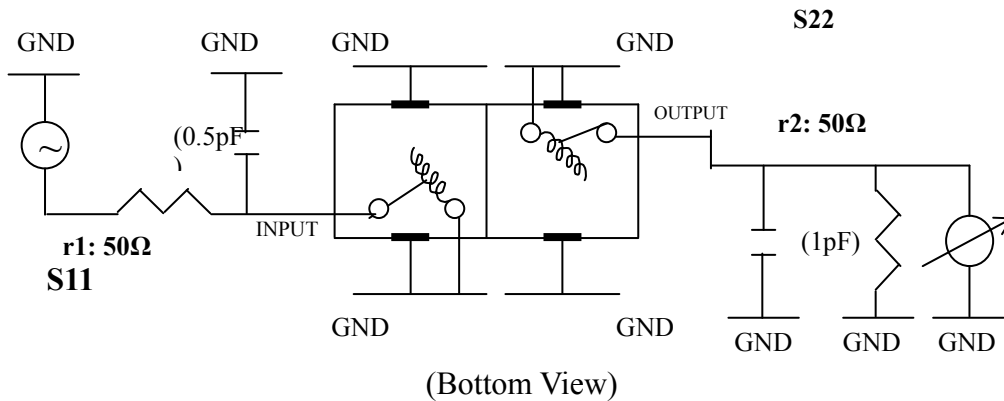
Item	Specify	Performance	
Center Freq.(Fo) +/- 0.5 %	940 MHz	940 MHz	
Tunable Range	940±5 MHz	940±5 MHz	
Insertion Loss	Typ. 3.0 dB	2.28 dB	
-3 dB Bandwidth	Typ. 15 MHz	20.2 MHz	
Sensitivity (Attenuation)	Fo - 50 MHz	Typ. 25 dBc	28 dBc
	Fo + 50 MHz	Typ. 23 dBc	26 dBc
	Fo - ()MHz	Typ. dBc	dBc
	Fo +()MHz	Typ. dBc	dBc
Return Loss	Min. 12 dB	21.8 dB	
Ripple	< 1 dB	dB	
Impedance	In / Out : 50 Ω	In / Out : 50 Ω	

(4) Torque for Tuning Screw > 100gf · cm

(5) Temperature Condition:
 Operating Temperature 0°C ~ +60°C
 Storage Temperature -20°C ~ +70°C

(6) Input Power > 1Watt

(7) Measuring Circuit: ※ Easy to match Impedance 50Ω by parallel with about (0.5-1) pF.

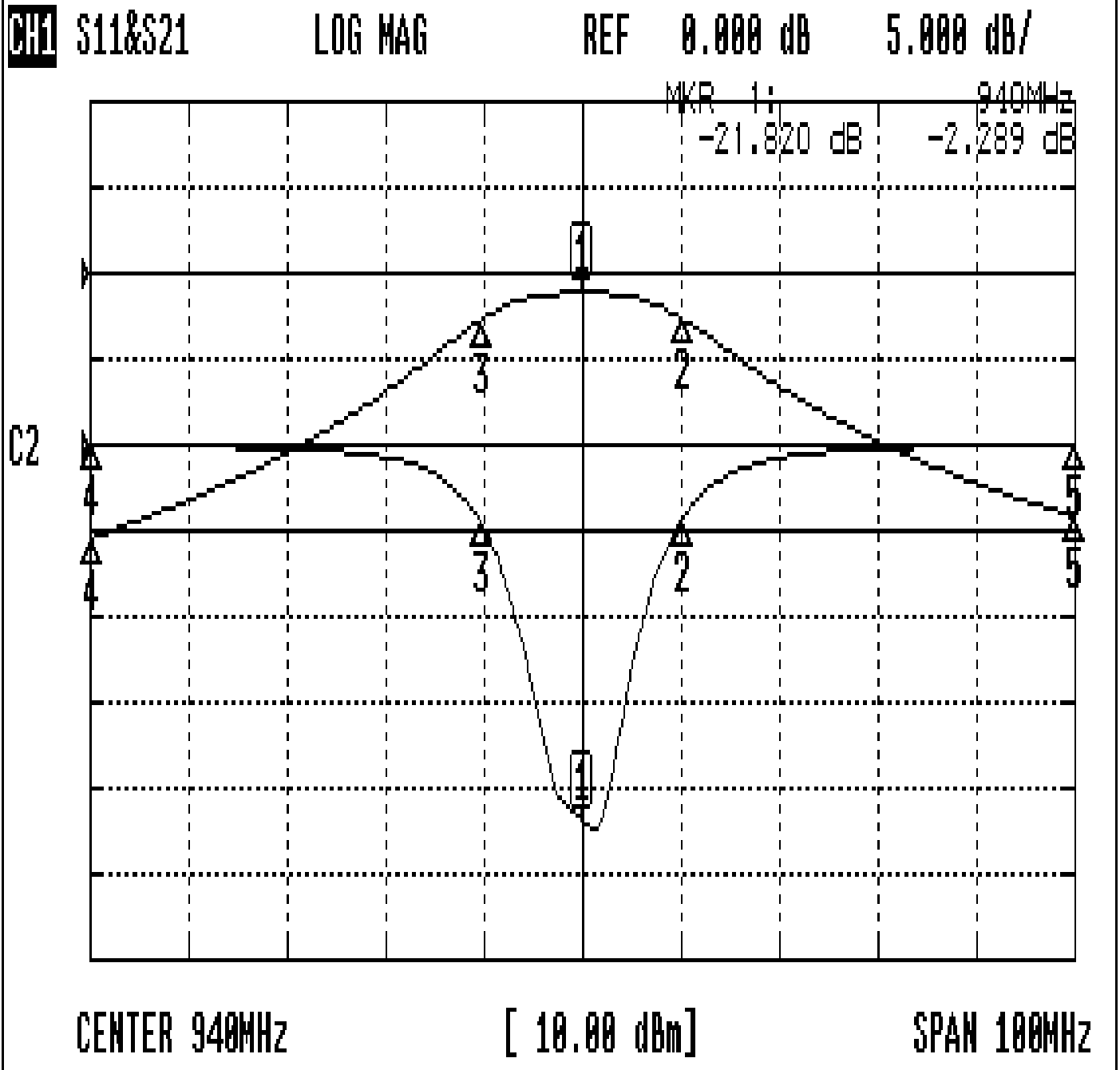


Approval	Supervisor	Designer	Aperture size
C.Y. Chang	C.S. Chang	C.S. Chang	7H2S(4*5.5) 7H046RB4

TEMWELL CORPORATION

Performance-TD67732B-940M

20507100DC



CH1 MARKER LIST

1:	940.000MHz	-21.820 dB	-2.289 dB
2:	950.166MHz	-4.344 dB	-5.294 dB
3:	929.916MHz	-4.706 dB	-5.245 dB
4:	890.000MHz	-0.027 dB	-30.870 dB
5:	990.000MHz	0.011 dB	-28.338 dB